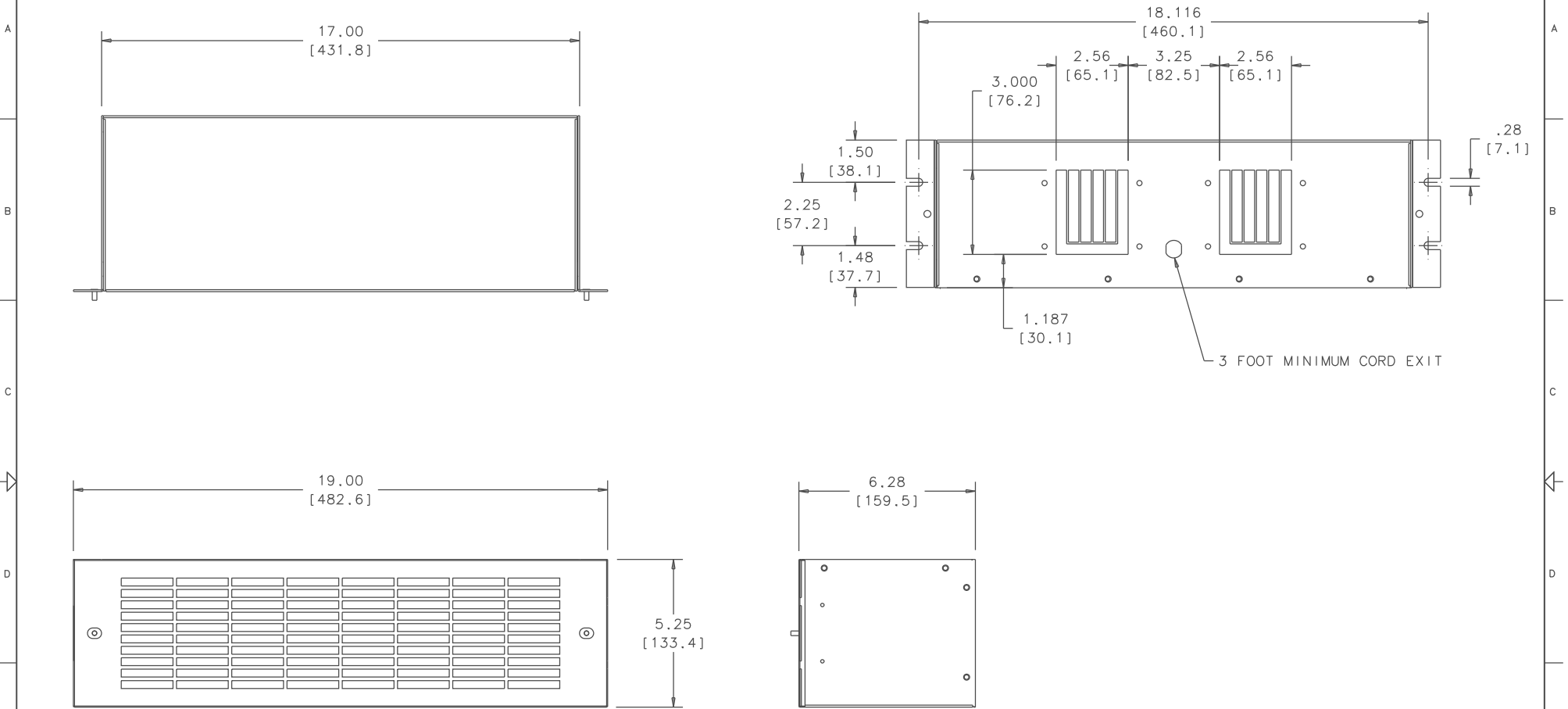


THIS DOCUMENT IS THE PROPERTY OF KOOLTRONIC, INC. AND CONTAINS PROPRIETARY AND CONFIDENTIAL INFORMATION WHICH MUST NOT BE DUPLICATED, USED OR DISCLOSED TO OTHERS, EXCEPT AS EXPRESSLY AUTHORIZED IN WRITING BY KOOLTRONIC, INC.

REVISIONS				
SYM	NOTICE	DESCRIPTION	DATE	APPROVED
-	EC 18/467	NEW DRAWING RELEASE.	10/22/18	DW-SDS



NOTE: GRILL REMOVED FROM TOP & BACK VIEWS.

ALL DIMENSIONS ARE IN INCHES. DIMENSIONS DESIGNATED MM ARE IN MILLIMETERS.			DRAWN D. WALDRON		DATE 10/22/18
UNLESS OTHERWISE SPECIFIED TOLERANCES NON-ACCUMULATIVE			CHECKED Steve Schmierer		10/23/18
TOL. ON	INCHES	MM	ENG. Ron Kaufman		10/23/18
.XX	± .02	±	MFG. ENG.		
.XXX	± .010	±			
ANGULAR			± 1/2 °		
MATERIAL	SEE BOM		CODE IDENT. NO.		06223
UNIT	KP528B		APPROVED	Joe Milko	10/24/18
			SIZE	C	DWG. NO. 3059-00-01
			SCALE	.375"=1"	CAD. REF.
			SHEET		1 OF 1



GENERAL ARRANGEMENT
PACKAGED BLOWER