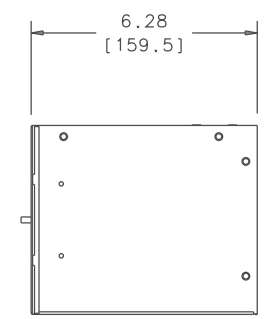
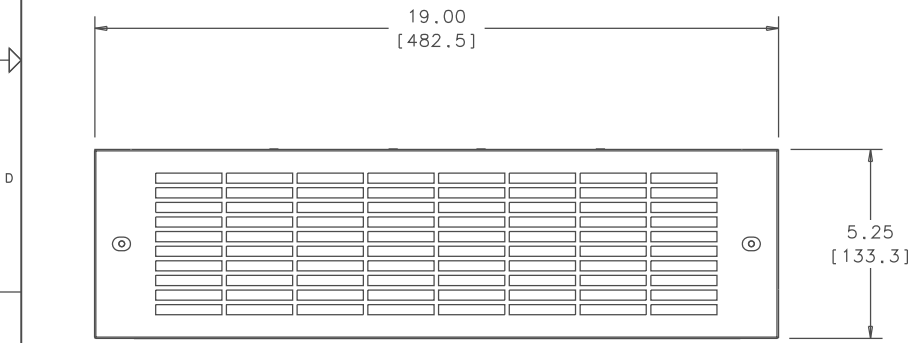
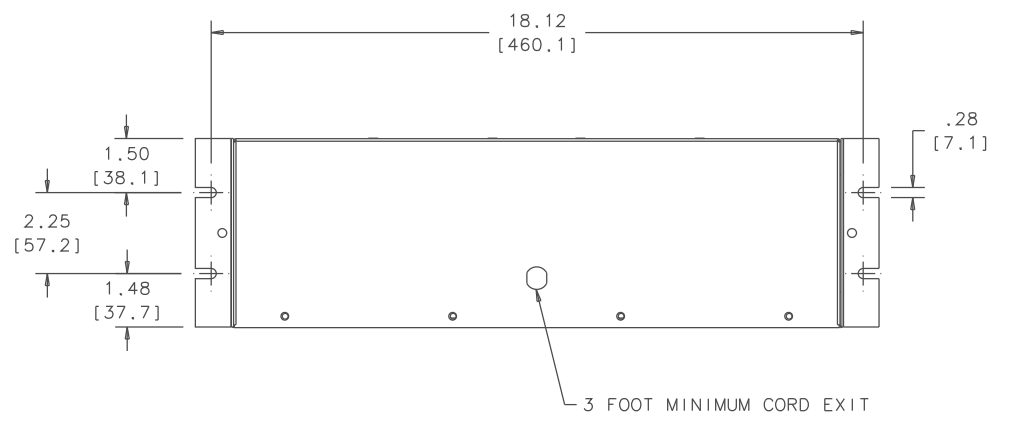
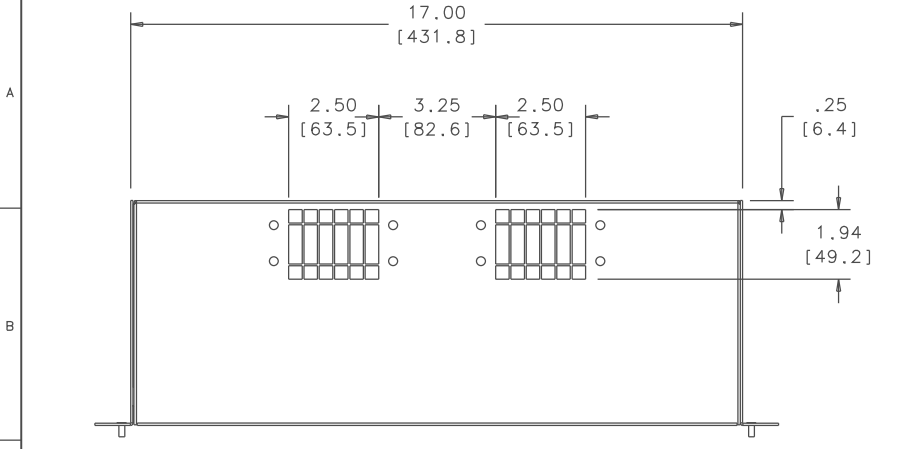


THIS DOCUMENT IS THE PROPERTY OF KOOLTRONIC, INC. AND CONTAINS PROPRIETARY AND CONFIDENTIAL INFORMATION WHICH MUST NOT BE DUPLICATED, USED OR DISCLOSED TO OTHERS, EXCEPT AS EXPRESSLY AUTHORIZED IN WRITING BY KOOLTRONIC, INC.

REVISIONS				
SYM	NOTICE	DESCRIPTION	DATE	APPROVED
-	EC 18/467	NEW DRAWING RELEASE.	10/23/18	DW-SDS



NOTE: GRILL REMOVED IN TOP & BACK VIEWS.

UNLESS OTHERWISE SPECIFIED TOLERANCES NON-ACCUMULATIVE				DRAWN		DATE			
TOL. ON	INCHES	MM		D. WALDRON	10/23/18			TITLE	
.XX	± .02	±		Steve Schmierer	10/23/18			GENERAL ARRANGEMENT PACKAGED BLOWER	
.XXX	± .010	±		Ron Kaufman	10/23/18			REV	
ANGULAR			± 1/2 °	MFG. ENG.				REV	
MATERIAL	SEE BOM					CODE IDENT. NO.	SIZE	DWG. NO.	REV
UNIT	KP528C			APPROVED	10/24/18	06223	C	3065-00-01	-
						SCALE	.375"=1"	CAD. REF.	SHEET 1 OF 1