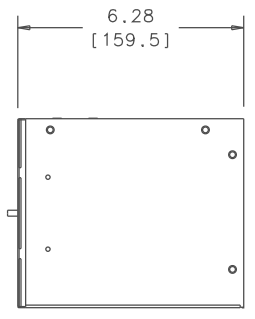
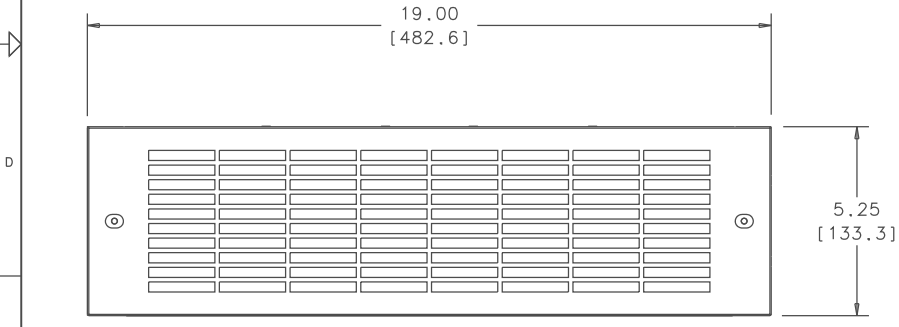
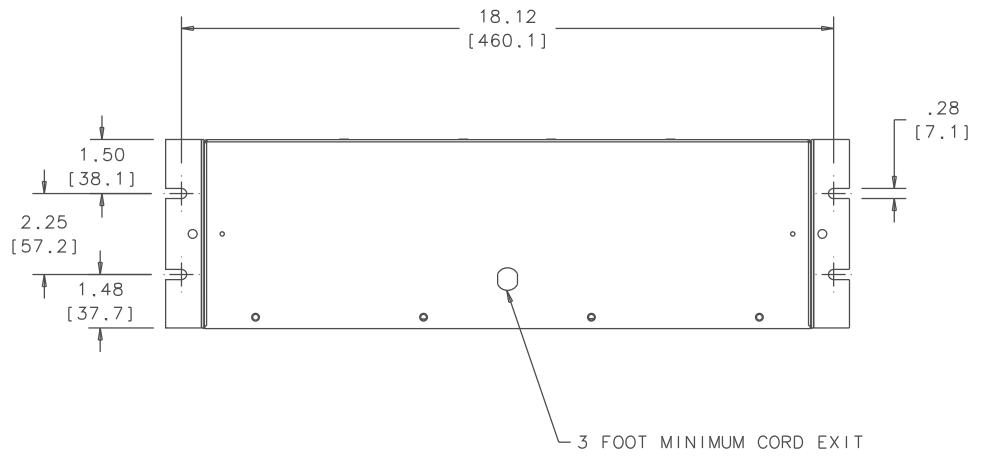
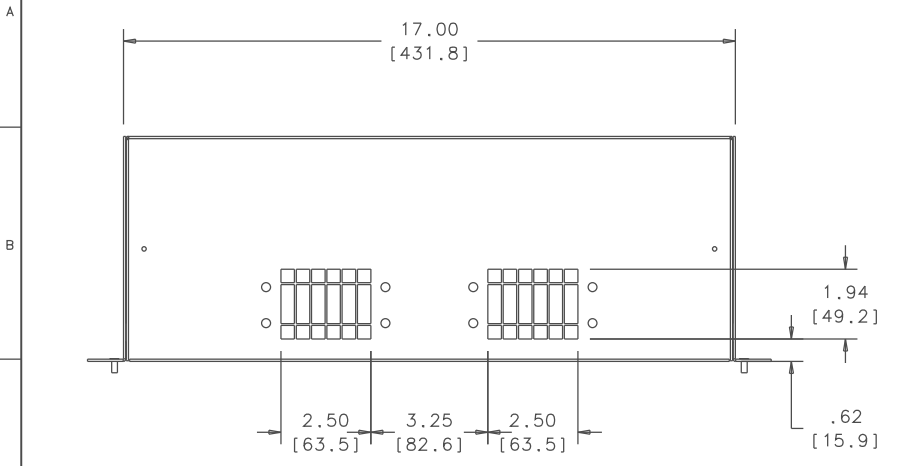


THIS DOCUMENT IS THE PROPERTY OF KOOLTRONIC, INC. AND CONTAINS PROPRIETARY AND CONFIDENTIAL INFORMATION WHICH MUST NOT BE DUPLICATED, USED OR DISCLOSED TO OTHERS, EXCEPT AS EXPRESSLY AUTHORIZED IN WRITING BY KOOLTRONIC, INC.

REVISIONS				
SYM	NOTICE	DESCRIPTION	DATE	APPROVED
-	EC 18/467	NEW DRAWING RELEASE.	10/23/18	DW-SDS



NOTE: GRILL REMOVED IN TOP & BACK VIEWS.

UNLESS OTHERWISE SPECIFIED TOLERANCES NON-ACCUMULATIVE				DATE	DRAWN		Kooltronic, Inc.			
TOL. ON	INCHES	M		10/23/18	D. WALDRON		PENNINGTON, NJ USA			
.XX	± .02			10/23/18	Steve Schmierer		TITLE			
.XXX	± .010			10/23/18	Ron Kaufman		GENERAL ARRANGEMENT PACKAGED BLOWER			
ANGULAR		± 1/2 °			MFG. ENG.					
MATERIAL	SEE BOM						CODE IDENT. NO.	SIZE	DWG. NO.	REV
UNIT	KP528D						06223	C	3071-00-01	-
				10/24/18	Joe Milko		SCALE .375"=1"	CAD. REF.		SHEET 1 OF 1