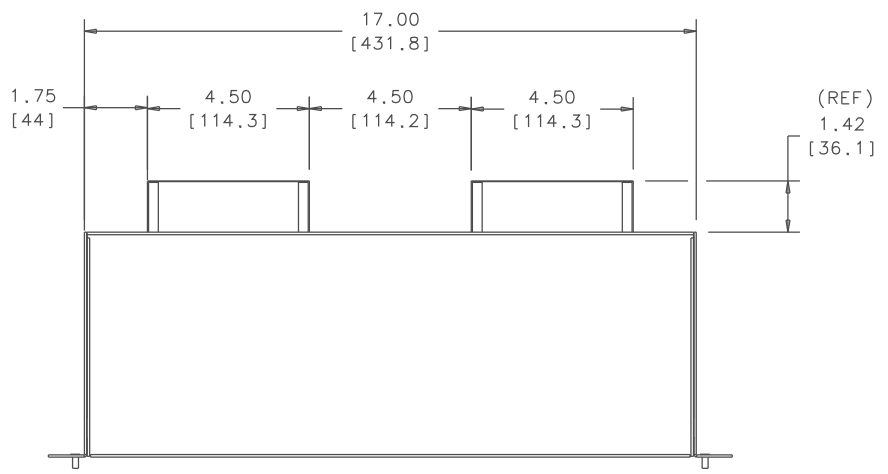
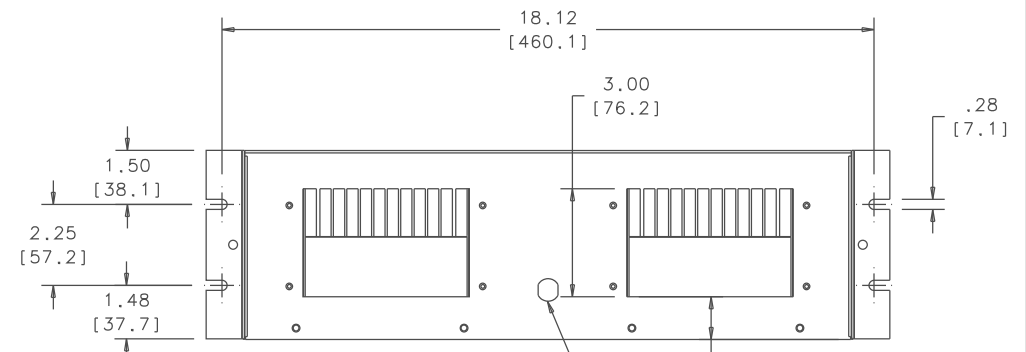


THIS DOCUMENT IS THE PROPERTY OF KOOLTRONIC, INC. AND CONTAINS PROPRIETARY AND CONFIDENTIAL INFORMATION WHICH MUST NOT BE DUPLICATED, USED OR DISCLOSED TO OTHERS, EXCEPT AS EXPRESSLY AUTHORIZED IN WRITING BY KOOLTRONIC, INC.

REVISIONS				
SYM	NOTICE	DESCRIPTION	DATE	APPROVED
-	EC 18/468	NEW DRAWING RELEASE.	10/30/18	DW-JS

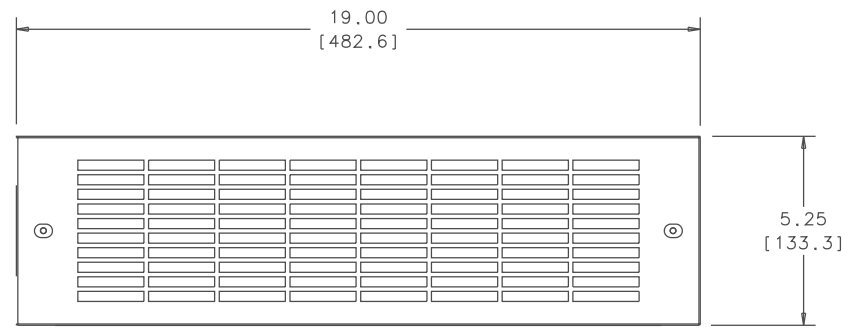


TOP VIEW

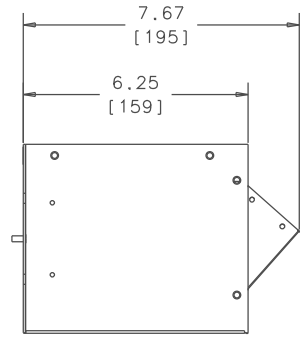


BACK VIEW

3 FOOT MINIMUM CORD EXIT



FRONT VIEW



RIGHT SIDE VIEW

NOTE: GRILLE REMOVED IN TOP, BACK AND RIGHT SIDE VIEWS.

ALL DIMENSIONS ARE IN INCHES. DIMENSIONS DESIGNATED MM ARE IN MILLIMETERS.			DRAWN D. WALDRON DATE 10/30/18		
UNLESS OTHERWISE SPECIFIED TOLERANCES NON-ACCUMULATIVE			CHECKED JERRY STEDNICK DATE 5/2/19		
TOL. ON	INCHES	MM	ENG. Ron Kaufman DATE 5/3/19		TITLE GENERAL ARRANGEMENT KP529A
.XX	± .02	±	MFG. ENG.		
.XXX	± .010	±			CODE IDENT. NO. 06223 SCALE .375"=1"
ANGULAR	± 1/2 °				
MATERIAL SEE BOM			APPROVED Bruce Kreele DATE 5/3/19		Dwg. NO. 3083-00-01 REV -
UNIT KP529A			SHEET 1 OF 1		