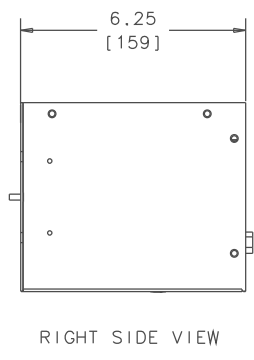
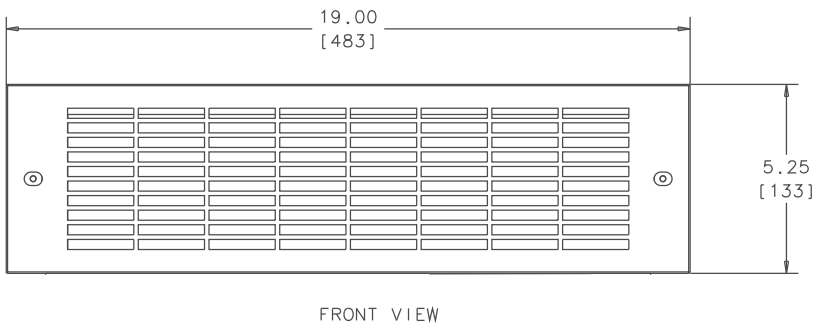
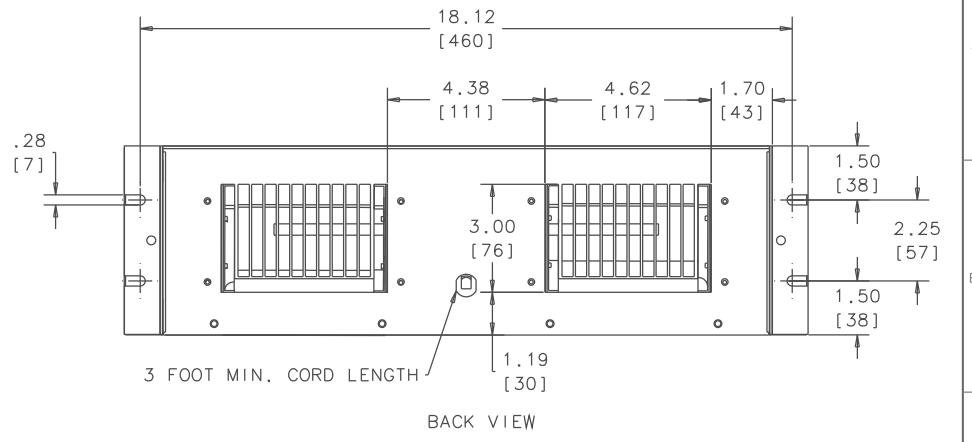
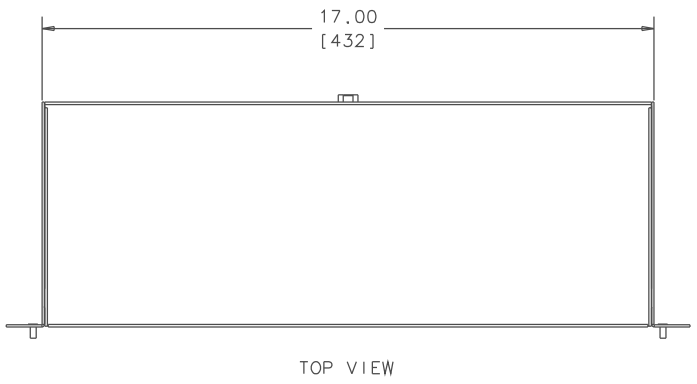


THIS DOCUMENT IS THE PROPERTY OF KOOLTRONIC, INC. AND CONTAINS PROPRIETARY AND CONFIDENTIAL INFORMATION WHICH MUST NOT BE DUPLICATED, USED OR DISCLOSED TO OTHERS, EXCEPT AS EXPRESSLY AUTHORIZED IN WRITING BY KOOLTRONIC, INC.

REVISIONS				
SYM	NOTICE	DESCRIPTION	DATE	APPROVED
-	EC 19/468	NEW DRAWING RELEASE	5/1/19	SDS/JS



NOTE: GRILLE NOT SHOW IN TOP AND RIGHT SIDE VIEW

ALL DIMENSIONS ARE IN INCHES. DIMENSIONS DESIGNATED MM ARE IN MILLIMETERS.				
UNLESS OTHERWISE SPECIFIED TOLERANCES NON-ACCUMULATIVE			DRAWN Steve Schmierer	DATE 5/1/19
TOL. ON	INCHES	MM	CHECKED JERRY STEDNICK	DATE 5/2/19
.XX	± .02	±	ENG. Ron Kaufman	DATE 5/3/19
.XXX	± .010	±	MFG. ENG.	
ANGULAR	± 1/2 °			
MATERIAL	SEE BOM		CODE IDENT. NO. 06223	SIZE C
UNIT	KP529B		DWG. NO. 3089-00-01	REV -
APPROVED Bruce Kreeley			DATE 5/3/19	SCALE .375=1
			CAD. REF.	SHEET 1 OF 1