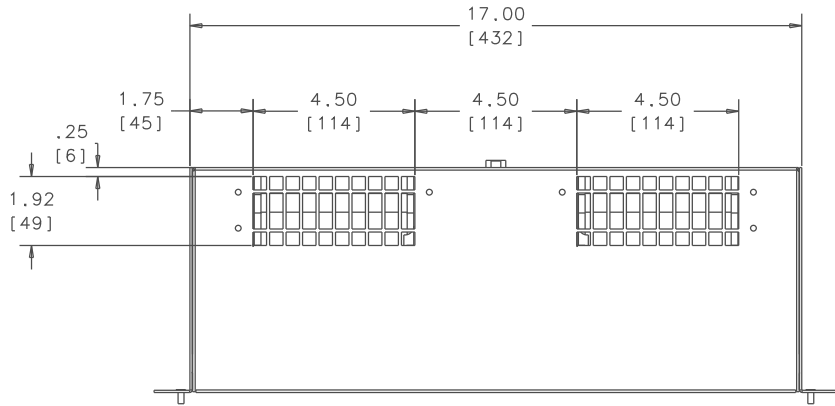
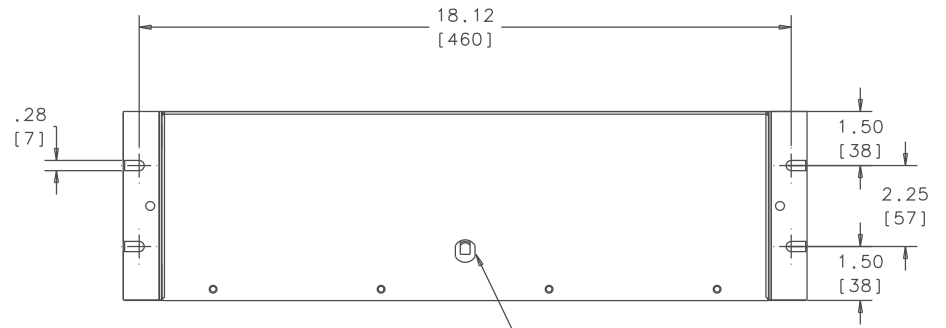


THIS DOCUMENT IS THE PROPERTY OF KOOLTRONIC, INC. AND CONTAINS PROPRIETARY AND CONFIDENTIAL INFORMATION WHICH MUST NOT BE DUPLICATED, USED OR DISCLOSED TO OTHERS, EXCEPT AS EXPRESSLY AUTHORIZED IN WRITING BY KOOLTRONIC, INC.

REVISIONS				
SYM	NOTICE	DESCRIPTION	DATE	APPROVED
-	EC 18/486	NEW DRAWING RELEASE	5/1/19	SDS/JJS

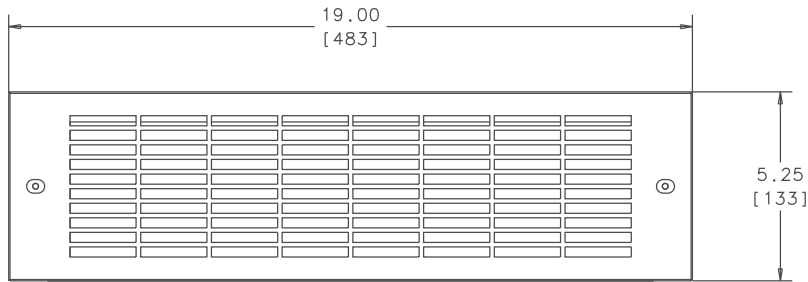


TOP VIEW

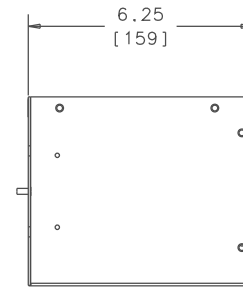


BACK VIEW

3 FOOT MIN. CORD EXIT



FRONT VIEW



RIGHT SIDE VIEW

NOTE: GRILLE NOT SHOWN IN TOP AND RIGHT SIDE VIEWS

ALL DIMENSIONS ARE IN INCHES. DIMENSIONS DESIGNATED MM ARE IN MILLIMETERS.				DRAWN		DATE
UNLESS OTHERWISE SPECIFIED TOLERANCES NON-ACCUMULATIVE				Steve Schmierer	5/1/19	
TOL. ON	INCHES	MM	CHECKED			
.XX	± .02	±	JERRY STEDNICK	5/2/19	TITLE	
.XXX	± .010	±	Ron Kaufman	5/3/19	GENERAL ARRANGEMENT KP529C	
ANGULAR	± 1/2 °		MFG. ENG.			
MATERIAL	SEE BOM			CODE IDENT. NO.	SIZE	DWG. NO.
UNIT	KP529C			06223	C	3095-00-01
APPROVED				SCALE	CAD. REF.	REV
Bruce Kreeley				5/3/19	1/375=1	-
					SHEET	OF
					1	1



GENERAL ARRANGEMENT
KP529C

CODE IDENT. NO. 06223
SIZE C
DWG. NO. 3095-00-01
SCALE 1/375=1
CAD. REF.
REV -

SHEET 1 OF 1