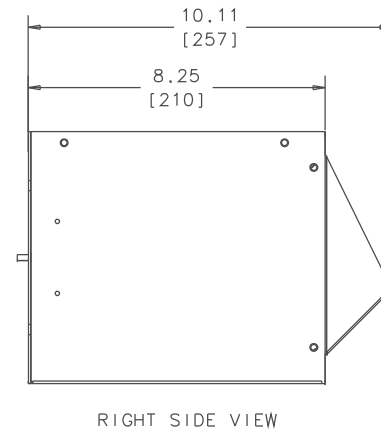
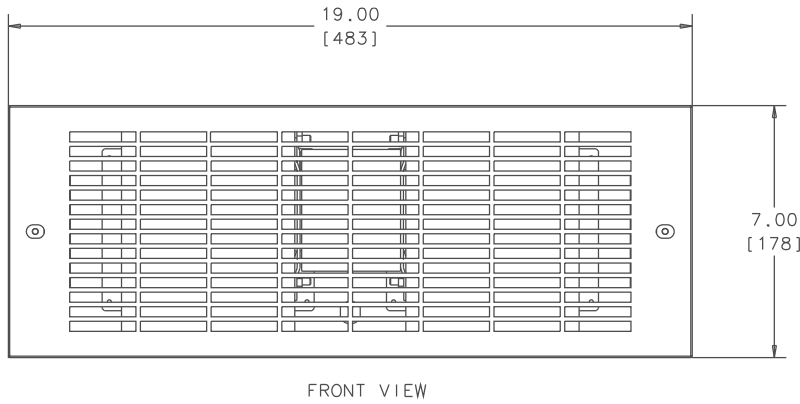
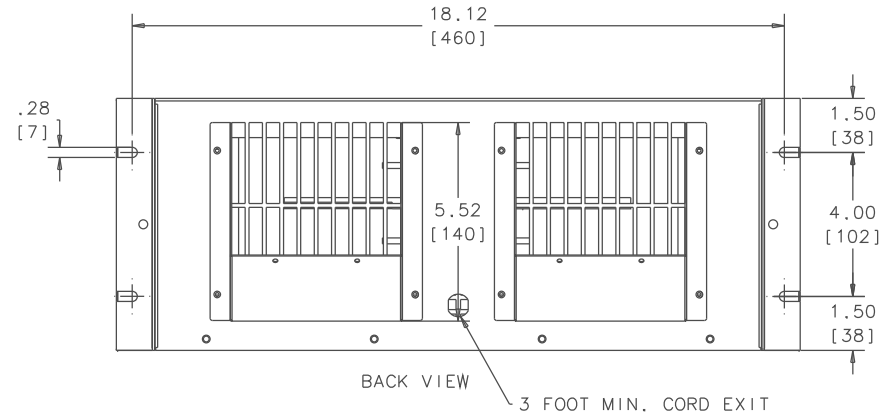
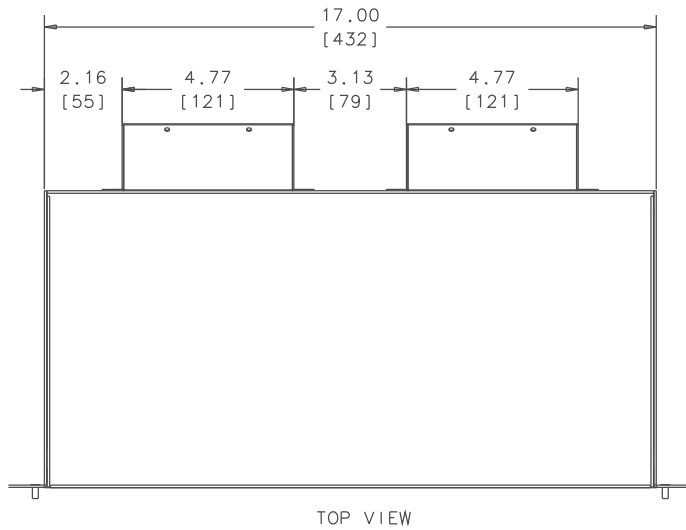


THIS DOCUMENT IS THE PROPERTY OF KOOLTRONIC, INC. AND CONTAINS PROPRIETARY AND CONFIDENTIAL INFORMATION WHICH MUST NOT BE DUPLICATED, USED OR DISCLOSED TO OTHERS, EXCEPT AS EXPRESSLY AUTHORIZED IN WRITING BY KOOLTRONIC, INC.

REVISIONS				
SYM	NOTICE	DESCRIPTION	DATE	APPROVED
-	EC 19/469	NEW DRAWING RELEASE	5/1/19	SDS/JS



NOTE: GRILLE NOT SHOWN IN TOP AND RIGHT SIDE VIEWS

UNLESS OTHERWISE SPECIFIED TOLERANCES NON-ACCUMULATIVE				DRAWN		DATE		Kooltronic, Inc.		
TOL. ON	INCHES	MM		Steve Schmierer	5/1/19			PENNINGTON, NJ USA		
.XX	± .02	±		JERRY STEDNICK	5/3/19	TITLE		GENERAL ARRANGEMENT		
.XXX	± .010	±		Ron Kaufman	5/6/19			KP701A		
ANGULAR			± 1/2 °	MFG. ENG.						
MATERIAL	SEE BOM					CODE IDENT. NO.	SIZE	DWG. NO.	REV	
UNIT	KP701A			APPROVED	Bruce Kreeley	5/9/19	06223	C	3126-00-01	-
						SCALE	.375=1	CAD. REF.	SHEET 1	OF 1