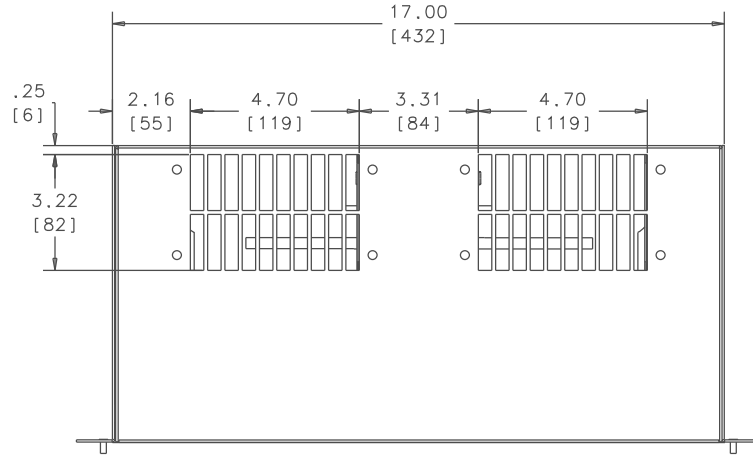
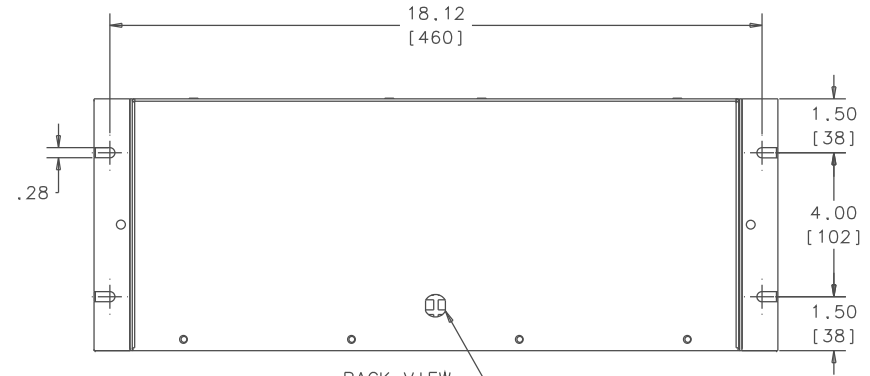


THIS DOCUMENT IS THE PROPERTY OF KOOLTRONIC, INC. AND CONTAINS PROPRIETARY AND CONFIDENTIAL INFORMATION WHICH MUST NOT BE DUPLICATED, USED OR DISCLOSED TO OTHERS, EXCEPT AS EXPRESSLY AUTHORIZED IN WRITING BY KOOLTRONIC, INC.

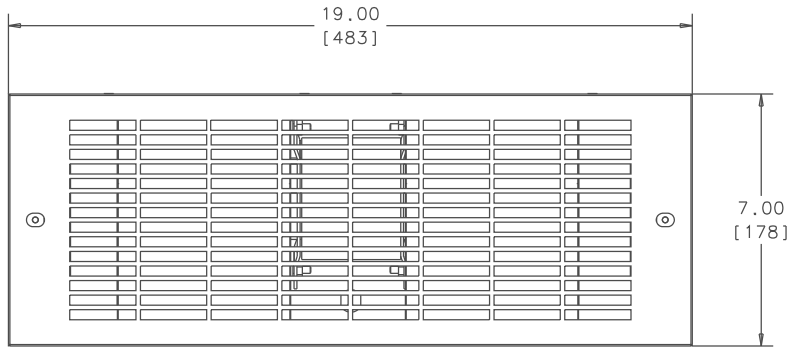
REVISIONS				
SYM	NOTICE	DESCRIPTION	DATE	APPROVED
-	EC 18/469	NEW DRAWING RELEASE	5/1/19	SDS/JS



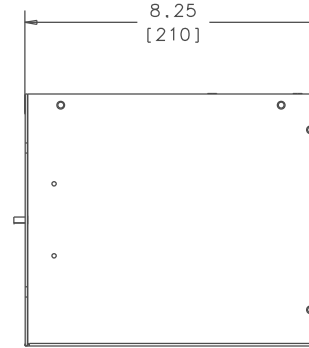
TOP VIEW




BACK VIEW 3 FOOT MIN. CORD LENGTH



FRONT VIEW



RIGHT SIDE VIEW

UNLESS OTHERWISE SPECIFIED TOLERANCES NON-ACCUMULATIVE				DRAWN		DATE						
TOL. ON	INCHES	M	Steve Schmierer	5/1/19								
.XX	± .02	±	CHECKED	JERRY STEDNICK	5/3/19	TITLE GENERAL ARRANGEMENT KP701C						
.XXX	± .010	±	ENG.	Ron Kaufman	5/6/19							
ANGULAR		± 1/2 °	MFG. ENG.									
MATERIAL		SEE BOM		CODE IDENT. NO.	06223	SIZE	C	DWG. NO.	3137-00-01		REV	-
UNIT		KP701C		APPROVED	Bruce Kreeley	5/9/19	SCALE	.375=1	CAD. REF.		SHEET	1 OF 1