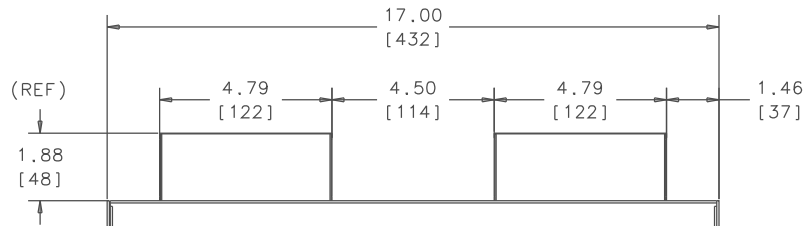
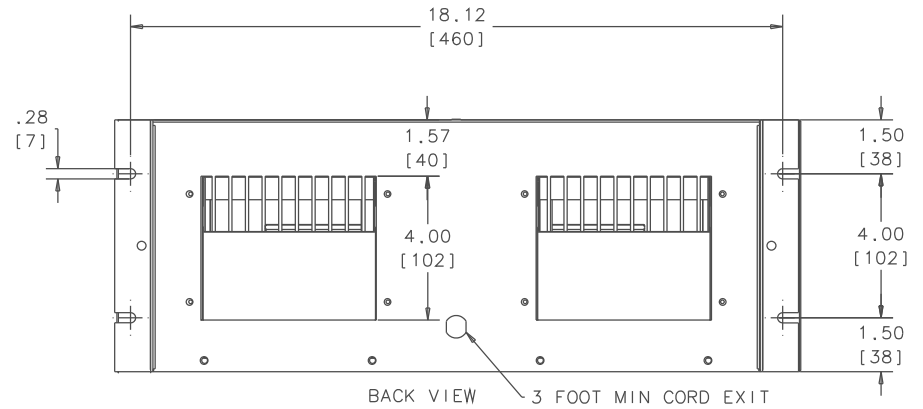


THIS DOCUMENT IS THE PROPERTY OF KOOLTRONIC, INC. AND CONTAINS PROPRIETARY AND CONFIDENTIAL INFORMATION WHICH MUST NOT BE DUPLICATED, USED OR DISCLOSED TO OTHERS, EXCEPT AS EXPRESSLY AUTHORIZED IN WRITING BY KOOLTRONIC, INC.

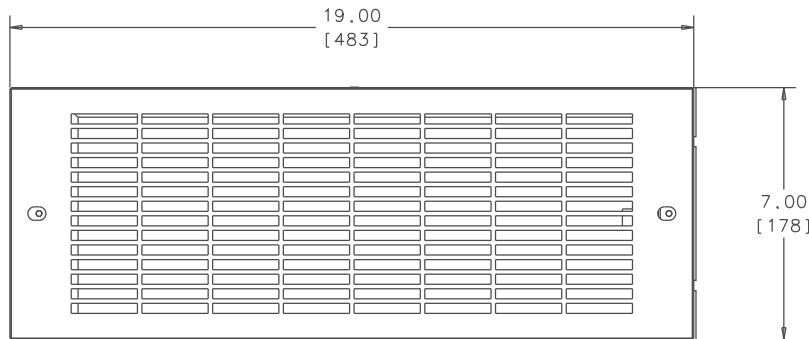
REVISIONS				
SYM	NOTICE	DESCRIPTION	DATE	APPROVED
-	EC 18/470	NEW DRAWING RELEASE	5/2/19	SDS/MEM



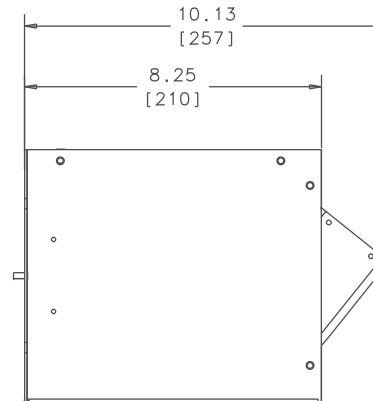
TOP VIEW



BACK VIEW 3 FOOT MIN CORD EXIT




FRONT VIEW



RIGHT SIDE VIEW

NOTE: GRILLE IS NOT SHOWN IN TOP AND RIGHT SIDE VIEWS

UNLESS OTHERWISE SPECIFIED TOLERANCES NON-ACCUMULATIVE				DRAWN		DATE				
TOL. ON	INCHES	MM		Steve Schmierer	5/2/19	TITLE GENERAL ARRANGEMENT KP729A				
.XX	± .02	±		Mike Mc Crohan	5/6/19					
.XXX	± .010	±		Ron Kaufman	5/13/19					
ANGULAR		± 1/2 °		MFG. ENG.						
MATERIAL SEE BOM				APPROVED		CODE IDENT. NO.		SIZE	DWG. NO.	REV
UNIT KP729A				Bruce Kreeley		06223		C	3149-00-01	-
				5/14/19		SCALE .375=1		CAD. REF.		SHEET 1 OF 1