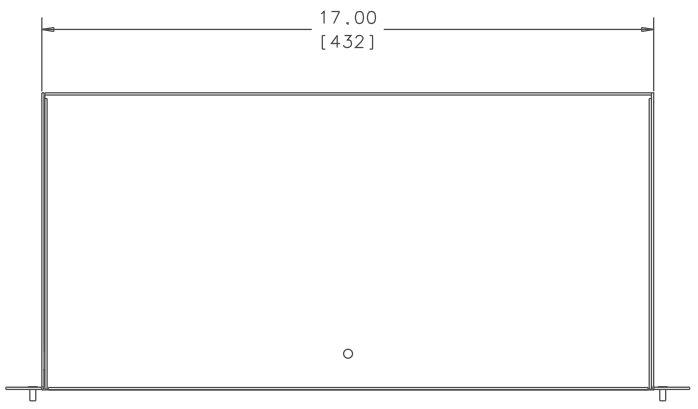
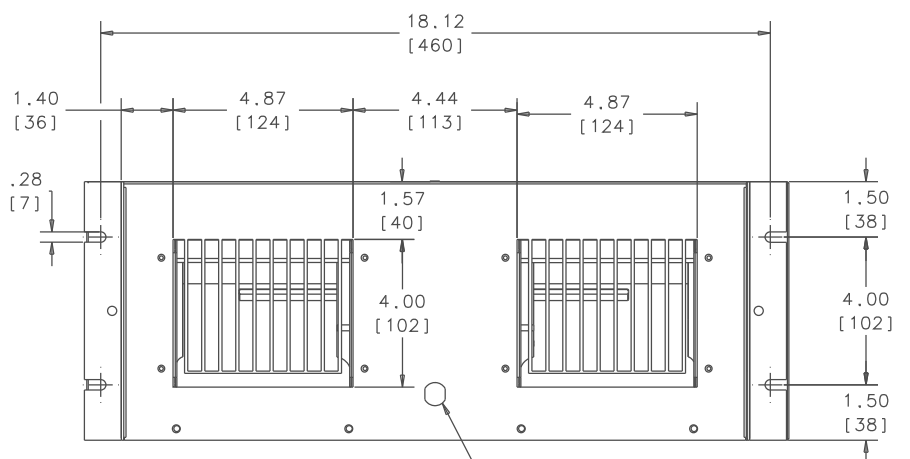


THIS DOCUMENT IS THE PROPERTY OF KOOLTRONIC, INC. AND CONTAINS PROPRIETARY AND CONFIDENTIAL INFORMATION WHICH MUST NOT BE DUPLICATED, USED OR DISCLOSED TO OTHERS, EXCEPT AS EXPRESSLY AUTHORIZED IN WRITING BY KOOLTRONIC, INC.

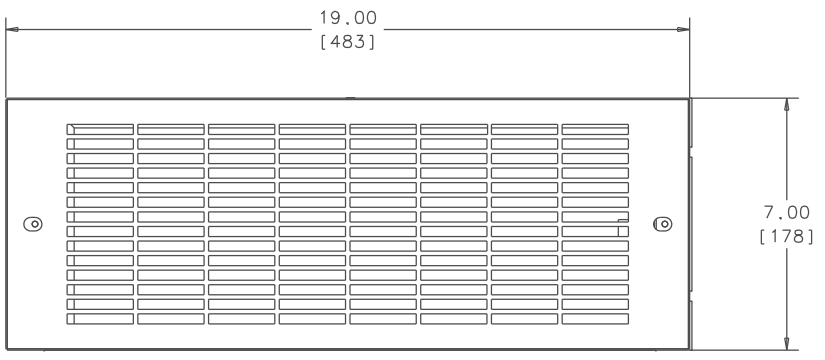
REVISIONS				
SYM	NOTICE	DESCRIPTION	DATE	APPROVED
-	EC 18/470	NEW DRAWING RELEASE	5/2/19	SDS/MEM



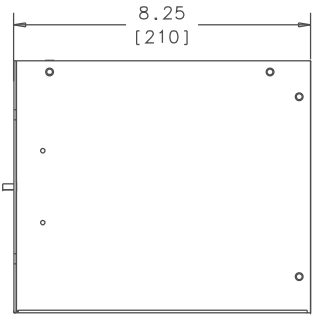
TOP VIEW



BACK VIEW 3 FOOT MIN. POWER CORD



FRONT VIEW



RIGHT SIDE VIEW

NOTE: GRILLE NOT SHOWN IN TOP AND RIGHT SIDE VIEWS

ALL DIMENSIONS ARE IN INCHES. DIMENSIONS DESIGNATED MM ARE IN MILLIMETERS.				
UNLESS OTHERWISE SPECIFIED TOLERANCES NON-ACCUMULATIVE			DRAWN: Steve Schmierer DATE: 5/2/19	TITLE GENERAL ARRANGEMENT KP729B
TOL. ON	INCHES	MM	CHECKED: Mike Mc Crohan DATE: 5/6/19	
.XX	± .02	±	ENG.: Ron Kaufman DATE: 5/13/19	
.XXX	± .010	±	MFG. ENG.	
ANGULAR	± 1/2 °			
MATERIAL	SEE BOM		CODE IDENT. NO.: 06223 SIZE: C DWG. NO.: 3155-00-01	REV: -
UNIT	KP729B		APPROVED: Bruce Kreeley DATE: 5/14/19	SCALE: .375=1 SHEET 1 OF 1