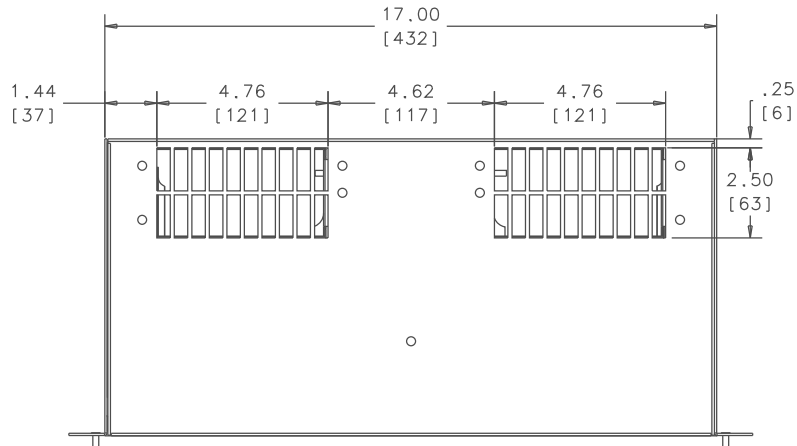
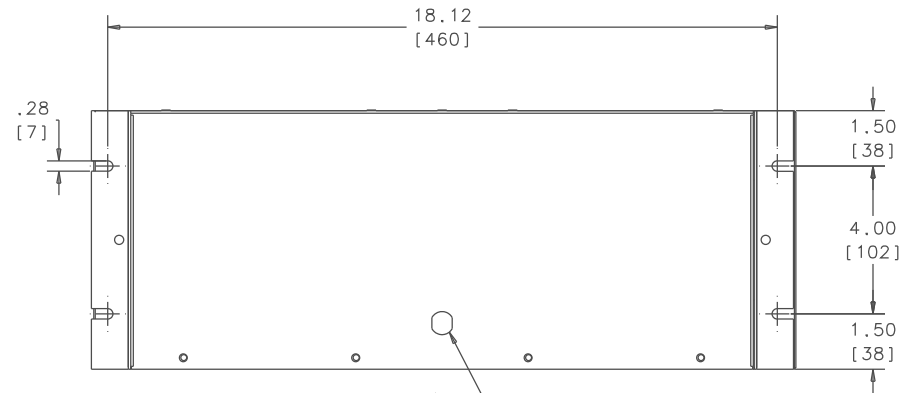


THIS DOCUMENT IS THE PROPERTY OF KOOLTRONIC, INC. AND CONTAINS PROPRIETARY AND CONFIDENTIAL INFORMATION WHICH MUST NOT BE DUPLICATED, USED OR DISCLOSED TO OTHERS, EXCEPT AS EXPRESSLY AUTHORIZED IN WRITING BY KOOLTRONIC, INC.

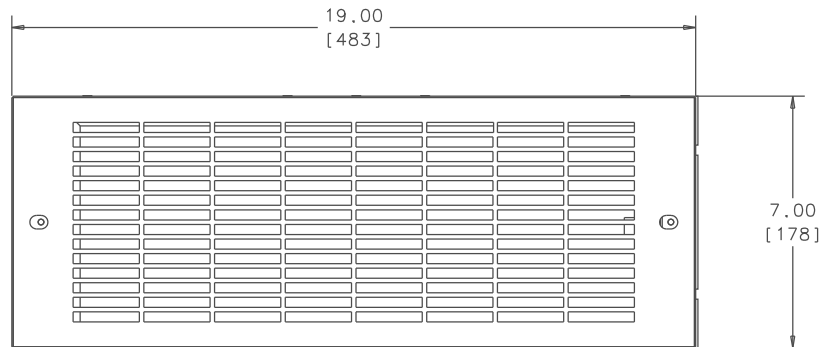
REVISIONS				
SYM	NOTICE	DESCRIPTION	DATE	APPROVED
-	EC 18/470	NEW DRAWING RELEASE	5/2/19	SDS/MEM



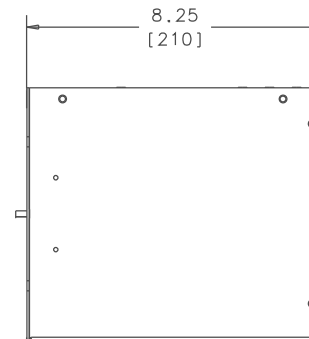
TOP VIEW



BACK VIEW 3 FOOT MIN. POWER CORD




FRONT VIEW



RIGHT SIDE VIEW

NOTE: GRILLE NOT SHOWN IN TOP AND RIGHT SIDE VIEWS

UNLESS OTHERWISE SPECIFIED TOLERANCES NON-ACCUMULATIVE				DRAWN DATE		
TOL. ON	INCHES	MM		Steve Schmierer	5/2/19	
.XX	± .02	±		Mike Mc Crohan	5/6/19	
.XXX	± .010	±		Ron Kaufman	5/13/19	
ANGULAR		± 1/2 °		MFG. ENG.		
MATERIAL	SEE BOM					CODE IDENT. NO. 06223 SIZE C DWG. NO. 3161-00-01 REV -
UNIT	KP729C			APPROVED Bruce Kreeley	5/14/19	SCALE .375=1 CAD. REF. SHEET 1 OF 1