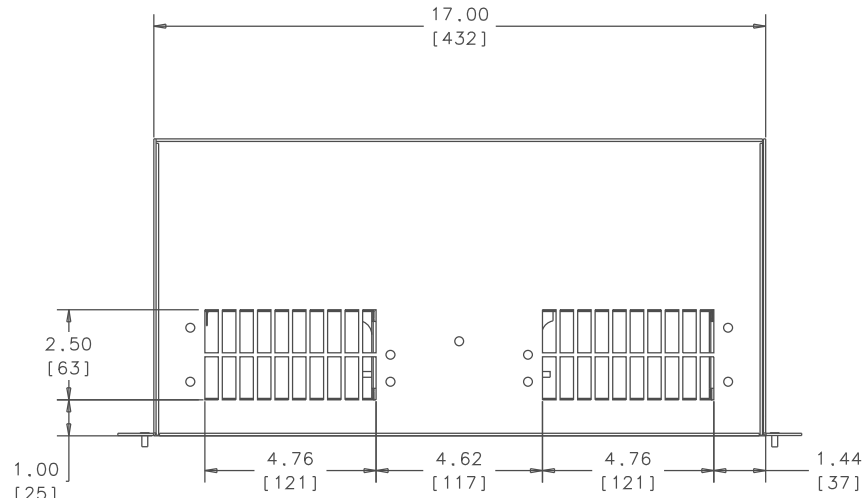
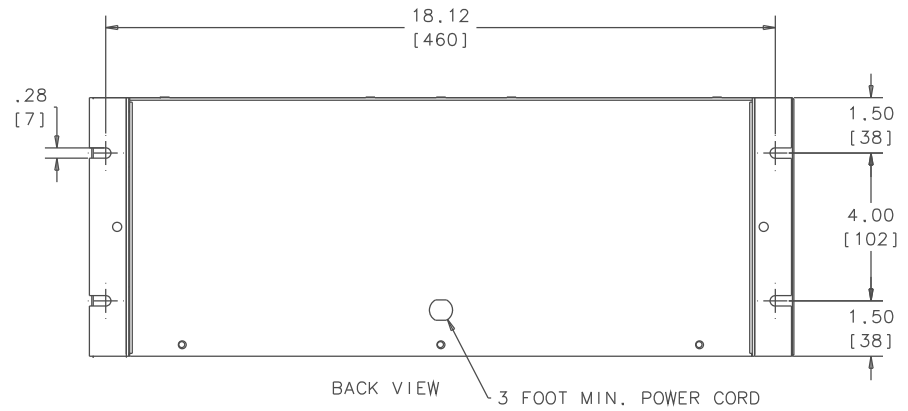


THIS DOCUMENT IS THE PROPERTY OF KOOLTRONIC, INC. AND CONTAINS PROPRIETARY AND CONFIDENTIAL INFORMATION WHICH MUST NOT BE DUPLICATED, USED OR DISCLOSED TO OTHERS, EXCEPT AS EXPRESSLY AUTHORIZED IN WRITING BY KOOLTRONIC, INC.

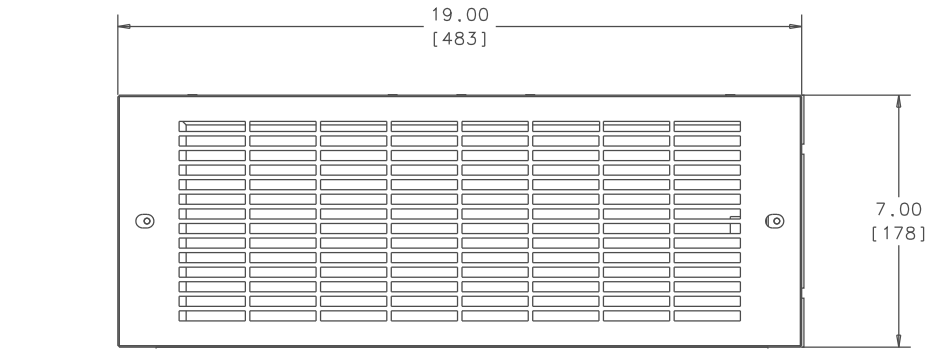
REVISIONS				
SYM	NOTICE	DESCRIPTION	DATE	APPROVED
-	EC 18/470	NEW DRAWING RELEASE	5/3/19	SDS/MEM



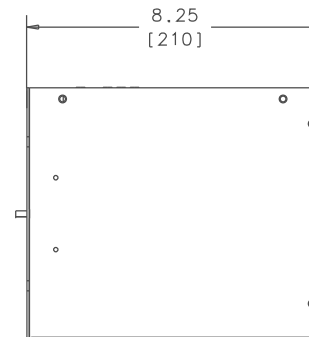
TOP VIEW



BACK VIEW




FRONT VIEW



RIGHT SIDE VIEW

NOTE: GRILLE NOT SHOWN IN TOP AND RIGHT SIDE VIEWS

UNLESS OTHERWISE SPECIFIED TOLERANCES NON-ACCUMULATIVE				DRAWN		DATE				
TOL. ON	INCHES	M	DRW	DATE						
.XX	± .02	±	Steve Schmierer	5/3/19						
.XXX	± .010	±	Mike Mc Crohan	5/6/19						
ANGULAR	± 1/2 °		Ron Kaufman	5/13/19						
MATERIAL	SEE BOM		MFG. ENG.		TITLE		GENERAL ARRANGEMENT KP729D			
UNIT	KP729D		APPROVED	Bruce Kreeley	5/14/19	CODE IDENT. NO.	SIZE	DWG. NO.	REV	
						06223	C	3167-00-01	-	
						SCALE .375=1	CAD. REF.	SHEET 1	OF 1	