



Installation Instructions

Model KA4C9DP47L
K2A4C9DP47L

I. Introduction

These instructions provide you with the general information necessary for proper installation of the air conditioners.

CAUTION

BEFORE INSTALLING THE AIR CONDITIONER, IT IS IMPORTANT THAT THESE INSTRUCTIONS BE READ AND UNDERSTOOD THOROUGHLY

II. Incoming Inspection

Kooltronic Air Conditioners are designed, built and packaged to withstand the shock and vibration normally associated with shipment by common carriers. Occasionally improper handling during shipping causes damage. Such handling could include unbanding of palletized shipments, failing to respect "This Side Up" arrows, rough handling, falling off conveyors, excessive vibration, crushing, etc. Therefore, a thorough inspection should be done upon receipt of all shipments. Any carton tears, dents, scratches, loose articles or evidence of oil are signs of damage and should be noted on the Freight Bill. Cartons should be opened promptly and the units inspected for CONCEALED DAMAGE. Kooltronic Air Conditioners must be delivered in the proper mounting position to assure that damage to the compressor has not occurred during shipping. Any Kooltronic Air Conditioner that is delivered removed from the banded pallet, lying down or double stacked should be refused.

An immediate claim MUST be filed with the freight carrier and an inspection requested. Retain all packing materials. Kooltronic cannot assume responsibility for Consignee's failure to file a timely freight claim.

III. Pre-Installation Testing

1. The unit must sit in an upright position at a minimum room temperature of 65°F to allow the system to warm-up. This is particularly important during winter months.
2. Refer to the identification label for proper electrical voltage and current requirements. Connect the power cord to a properly grounded and fused electrical supply, leaving electrical power to the unit turned off. Note the factory thermostat setting which is 75°F.
3. Turn the electrical power on. Verify that the evaporator blower or fan is running. Condenser impeller should start immediately and after one (1) second, stop. After three (3) to five (5) minutes the condenser impeller should start. Verify that the condenser blower or fan is running.
4. Operate the air conditioner for approximately ten (10) minutes. During this period no unusual noise or vibration should be evident. Both the evaporator and condenser fans or blowers should be delivering air through their respective discharge ports. The cool air discharged should be less than 70°F when the room temperature is between 70°F and 80°F.
5. If the ambient temperature is below 75°F, after fifteen (15) minutes the thermostat will shut off the compressor and condenser impeller.
6. Turn off the electrical power and disconnect the air conditioner from the power source.
7. If any cover plug was removed to adjust the unit, be sure to replace it in order to maintain the integrity of the closed-loop airflow system.

IV. Mounting

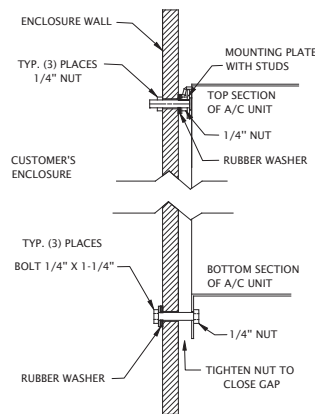
External Mounting

1. Place the supplied 1/2-inch gaskets on the two evaporator side cutouts as shown in the gasket drawing on next page. The gaskets must start and end at the middle bottom of the cutouts. The gaskets must remain as one continuous piece around the cutouts. Bend gaskets around the corners. Do not stretch the gaskets.
2. It is recommended that a lift truck be used for installation.
3. Attach the Mounting Plate to the enclosure using (3) 1/4-inch nuts, (3) sealing washers as a spacer and (3) 1/4-inch mounting nuts. Note that the mounting plate is not symmetrical. Be sure to install with the longer section at the top and the shorter section at the bottom. Sealing washers must be placed against customer enclosure (see External Mounting Drawing and Mounting Plate Detail).
4. Place the air conditioner on the lift truck. Insert a 1-inch (approximate) wooden block between the lift truck bottom and the air conditioner bottom so that the angle between the unit mounting panel and the air conditioner is about 10 degrees.
5. Adjust the lift truck height so that the air conditioner hook is located approximately 1/2-inch above the mounting plate.
6. Route the power cord through the discharge (upper) air cutout.
7. Move the air conditioner toward the enclosure panel so that the gap between the hook and the enclosure is about 1/2-inch.
8. Slowly move the lift truck down until the hook engages with the mounting plate. Continue to lower the lift truck. The air conditioner will hang from the mounting plate flush against the mounting panel.
9. Insert screws through the holes in the mounting plate bottom flange and the enclosure panel. Install sealing washers and nuts on each screw from inside the enclosure and tighten (see External Mounting Drawing).

Internal Mounting

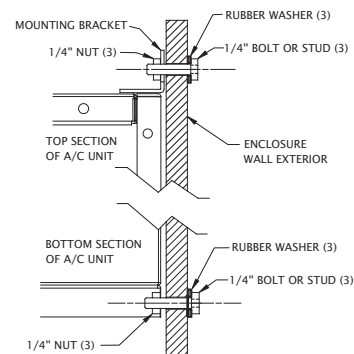
1. Place the supplied 1/2-inch gaskets on the two condenser side cutouts as shown in the gasket drawing on next page. The gaskets must start and end at the middle top of the cutouts. The gaskets must remain as one continuous piece around the cutouts. Bend gaskets around the corners. Do not stretch the gaskets.
2. Remove the three #10 screws together with rubber washers from the Rear Panel top.
3. Attach the supplied mounting angle to the Rear Panel top with the three #10 screws and rubber washers (see Internal Mounting Drawing).
4. It is recommended that 1/4-inch x 1 1/4-inch mounting studs be used on the customer enclosure door or panel. If not, use the hardware supplied for air conditioner mounting.

EXTERNAL MOUNTING DRAWING



NOTE: INSTALL THE MOUNTING PLATE W/STUDS TO THE OUTSIDE WALL OF THE CUSTOMER'S ENCLOSURE BEFORE INSTALLING A/C UNIT.

INTERNAL MOUNTING DRAWING



CAUTION

Kooltronic Air Conditioners must be standing in their proper mounting position for a minimum of five (5) minutes prior to testing. Failure to follow this procedure will cause permanent damage to the compressor. To avoid compressor damage do not tip the unit more than 45° from its proper mounting position.

Kooltronic Air Conditioners must be operated in their proper mounting position. If attempts are made to operate a unit that is not in its designed mounting position, permanent compressor damage will occur. This action will void the warranty.

If the air conditioner is mounted to the cabinet door you must be sure that the door hinges will support the additional weight of the air conditioner. Also be certain that when the door is opened fully, the cabinet does not become unbalanced. The weight of the unit is 135 lbs. Additional technical data can be found in the performance specifications in the Operator's Manual available online.

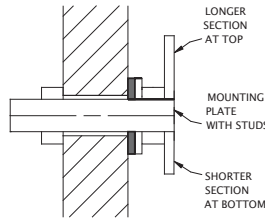


Additional Information on this air conditioner can be found by visiting kooltronic.com and searching for the model number, or use the Technical Documents QR code below.

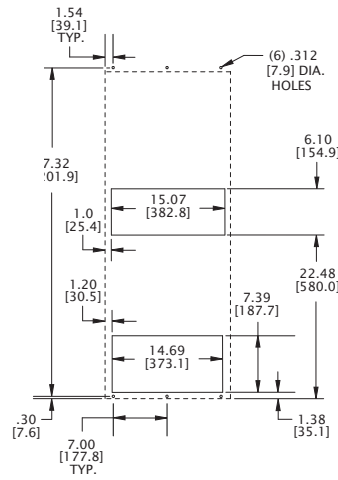
Technical Documents



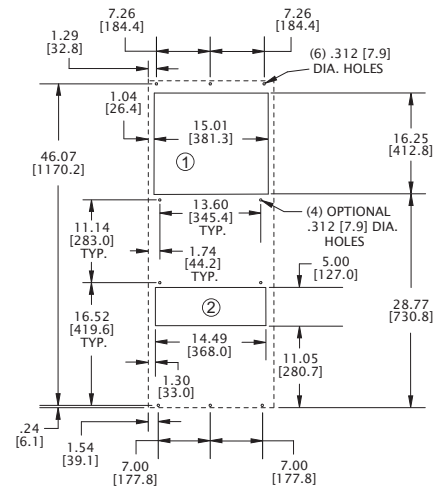
MOUNTING PLATE DETAIL



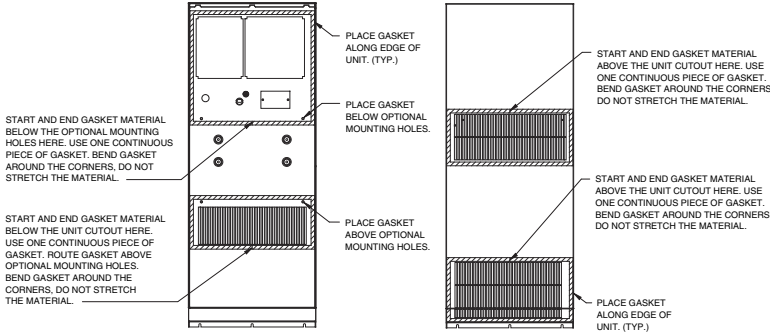
NOTE: MOUNTING PLATE IS NOT SYMMETRICAL. INSTALL WITH LONGER SECTION AT THE TOP AND SHORTER SECTION AT THE BOTTOM.



MOUNTING PLANS



GASKET PLACEMENT



EXTERNAL MOUNT GASKET PLACEMENT

INTERNAL MOUNT GASKET PLACEMENT

GASKET 1/2" X 1/2" PART NUMBER 0639-61

INTERNAL MOUNTING PLAN

EXTERNAL MOUNTING PLAN

- ① WARM AIR RETURN FROM ENCLOSURE
- ② COOL AIR OUTLET TO ENCLOSURE

Dimensions, inches [mm], are for reference only and are subject to change.

V. Warranty

Kooltronic products are warranted to be free of defects in workmanship, materials and components. The following warranty periods apply from date of shipment:

- Air moving devices/components and hermetic system components: 1 year
- Spare parts, except filters: 90 days

The warranty applies when the equipment is operated under the following conditions:

- Ambient temperature not in excess of 125°F (52°C) in normal atmosphere or as stated on product nameplate
- Voltage variation no greater than ±10% from nameplate rating
- Frequency variation no greater than ±3Hz from nameplate rating
- Maximum cooling load no higher than air conditioner nameplate rating
- Waiting five minutes before restarting air conditioner after intentional or accidental shutoff
- Compliance to all other installation, maintenance and operating instructions

The purchaser assumes the responsibility of grounding the unit and installing it in accordance with local electrical and safety codes, as well as the National Electric Code (NEC) and OSHA

KOOLTRONIC cannot assume responsibility for misapplication of its products or the erroneous selection of an inappropriate product by a non-authorized KOOLTRONIC representative. Our applications engineers will gladly assist in the selection of the proper product, provided all required details of the application are furnished.

KOOLTRONIC assumes no liability beyond the repair or replacement of its own product. This Warranty does not cover:

- Labor or reimbursement of labor for evaluation, removal, installation, repair or cost of any warranted part, unless authorized in writing by Kooltronic
- Use of equipment for other than its designed purpose or operating conditions.
- Operation in harsh, oily, corrosive or other abnormal environmental conditions, without the proper filtration, sealing, protective coatings and/or weather protection
- Damage to hermetic system resulting from continuous operation with dirty or clogged air filters or improper or negligent maintenance
- Use of refrigerant other than designated
- Customer modification or abuse
- Shipping damage or other accident (Claims for shipping damage are the responsibility of the customer. Timely claims must be filed by the customer with the freight carrier)
- Cracked or broken hermetic tubing, brazed joints or other internal damage caused by shipping damage or mishandling
- Damage caused by shipping units attached to an enclosure
- Any and all conditions resulting from noncompliance with the preceding operating conditions
- Returned freight must be paid by customer
- This Standard Warranty does not apply to custom products. Consult your Kooltronic representative for limitations

THIS WARRANTY CONSTITUTES THE ENTIRE WARRANTY WITH RESPECT TO THE PRODUCT AND IS IN LIEU OF ALL OTHERS, EXPRESSED OR IMPLIED, INCLUDING ANY WARRANTY OF MERCHANTABILITY AND WARRANTY OF FITNESS FOR A PARTICULAR PURPOSE AND IN NO EVENT IS KOOLTRONIC RESPONSIBLE FOR ANY CONSEQUENTIAL DAMAGES OF ANY NATURE WHATSOEVER.

VI. Return Authorization (RA) Procedure

For information on our RA Procedure please visit the kooltronic.com homepage and look under Support.

You can register your warranty online by going to our homepage at kooltronic.com, under Support, or use the Warranty QR code below.

Warranty Registration



KOOLTRONIC, INC. 30 Pennington-Hopewell Road Pennington, NJ 08534

609•466-3400 FAX: 609•466-1114

kooltronic.com