



# Installation Instructions

Model K\_T\_X\_

## I. Introduction

These instructions provide you with the general information necessary for proper installation of the Kooltrays.

### CAUTION

**BEFORE INSTALLING THE KOOLTRAY, IT IS IMPORTANT THAT THESE INSTRUCTIONS BE READ AND UNDERSTOOD THOROUGHLY**

## II. Incoming Inspection

Kooltrays are designed, built and packaged to withstand the shock and vibration normally associated with shipment by common carriers. Occasionally improper handling during shipping causes damage. Therefore, a thorough inspection should be done upon receipt of all shipments. Any carton tears, dents, scratches, or loose articles should be noted on the Freight Bill. Cartons should be opened promptly and the units inspected for CONCEALED DAMAGE. An immediate claim **MUST** be filed with the freight carrier and an inspection requested. Retain all packing materials. Kooltronic cannot assume responsibility for Consignee's failure to file a timely freight claim.

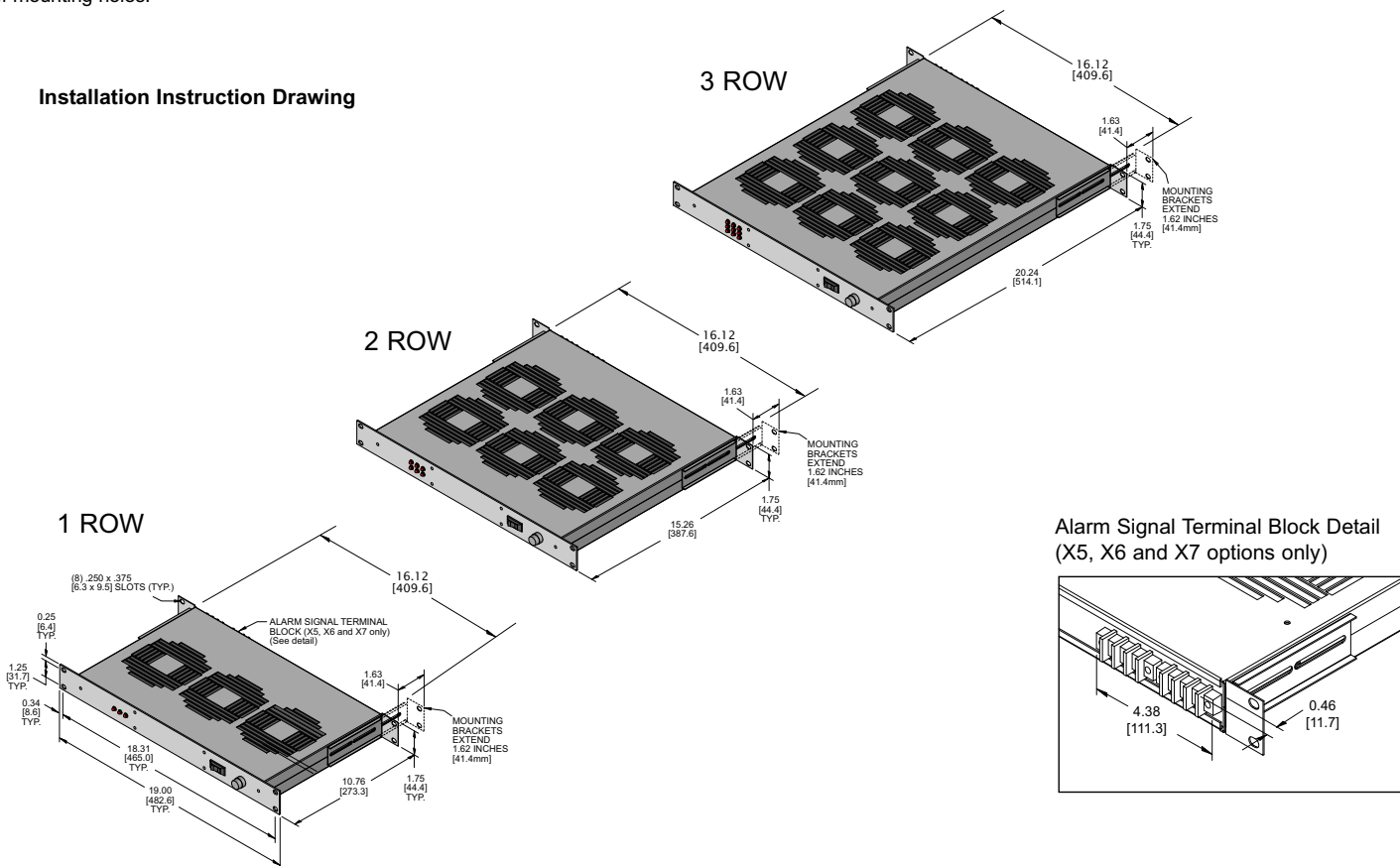
## III. Product Handling

Before operating this unit, all electrical wiring must be checked to assure the proper connections. CAUTION: Operate this unit only on the proper voltages and frequencies as noted on the nameplate.

## IV. Installation Instructions

Kooltrays are designed to be rack mounted and are provided with the necessary means to be fastened to the rails. Refer to the Installation Instruction drawing below for location of mounting holes.

Installation Instruction Drawing



Dimensions, inches [mm], are for reference only and are subject to change.

## V. Specific Model Data

### Technical Data\*

# Fans	CFM @		RPM		Amps		Weight	
	0" S.P.	Nominal	Run.	L.R	Watts	Lbs.	Kg	
3	315	3050	0.5	0.8	40	11	5	
6	630	3050	1.0	1.6	80	15	7	
9	945	3050	1.5	2.4	120	20	9	

\*115V, 60 Hz operation.

### Isolated OR'd Alarm Outputs (Rear of Unit) - (X5 and X6 Options Only)

These optically isolated outputs provide both normally open (N.O.) and normally closed (N.C.) alarms permitting connection to logic circuits or other loads with no electrical connection to the control circuit.

The outputs are from a Dual-Pole MOS Relay, which are intended to drive heavy loads. These outputs have a maximum on-state resistance of 50 Ohms, maximum sinking current is 100 mA, and a maximum of 230 VAC can be applied to the alarm terminals. The outputs also trigger in the event of cooling system power failure.

### Alarm Logic Table

	Circuit	Above Trigger Speed	Below Trigger Speed	Power Removed
1.	NC	Closed	Open	Open
2.	NO	Open	Closed	Closed

Note: At power-up, all outputs are held in the normal state for ten seconds.



**Additional Information on this product, can be found by visiting [kooltronic.com](http://kooltronic.com) and searching for the model number: K\_T\_X\_ or use the Technical Documents QR code below.**

*Technical Documents*



**V. Warranty** You can register your warranty online by going to our homepage at [kooltronic.com](http://kooltronic.com), under **Support**, or use the Warranty QR code below.

Kooltronic products are warranted to be free of defects in workmanship, materials and components. The following warranty periods apply from date of shipment:

- Air moving devices/components and hermetic system components: 1 year
- Spare parts, except filters: 90 days

The warranty applies when the equipment is operated under the following conditions:

- Ambient temperature not in excess of 125°F (52°C) in normal atmosphere or as stated on product nameplate
- Voltage variation no greater than  $\pm 10\%$  from nameplate rating
- Frequency variation no greater than  $\pm 3\text{Hz}$  from nameplate rating
- Maximum cooling load no higher than air conditioner nameplate rating
- Waiting five minutes before restarting air conditioner after intentional or accidental shutoff
- Compliance to all other installation, maintenance and operating instructions

The purchaser assumes the responsibility of grounding the unit and installing it in accordance with local electrical and safety codes, as well as the National Electric Code (NEC) and OSHA

KOOLTRONIC cannot assume responsibility for misapplication of its products or the erroneous selection of an inappropriate product by a non-authorized KOOLTRONIC representative. Our applications engineers will gladly assist in the selection of the proper product, provided all required details of the application are furnished.

KOOLTRONIC assumes no liability beyond the repair or replacement of its own product. This Warranty does not cover:

- Labor or reimbursement of labor for evaluation, removal, installation, repair or cost of any warranted part, unless authorized in writing by Kooltronic
- Use of equipment for other than its designed purpose or operating conditions
- Operation in harsh, oily, corrosive or other abnormal environmental conditions, without the proper filtration, sealing, protective coatings and/or weather protection
- Damage to hermetic system resulting from continuous operation with dirty or clogged air filters or improper or negligent maintenance
- Use of refrigerant other than designated
- Customer modification or abuse
- Shipping damage or other accident (Claims for shipping damage are the responsibility of the customer. Timely claims must be filed by the customer with the freight carrier)
- Cracked or broken hermetic tubing, brazed joints or other internal damage caused by shipping damage or mishandling
- Damage caused by shipping units attached to an enclosure
- Any and all conditions resulting from noncompliance with the preceding operating conditions
- Returned freight must be paid by customer
- This Standard Warranty does not apply to custom products. Consult your Kooltronic representative for limitations

THIS WARRANTY CONSTITUTES THE ENTIRE WARRANTY WITH RESPECT TO THE PRODUCT AND IS IN LIEU OF ALL OTHERS, EXPRESSED OR IMPLIED, INCLUDING ANY WARRANTY OF MERCHANTABILITY AND WARRANTY OF FITNESS FOR A PARTICULAR PURPOSE AND IN NO EVENT IS KOOLTRONIC RESPONSIBLE FOR ANY CONSEQUENTIAL DAMAGES OF ANY NATURE WHATSOEVER.

**VI. Return Authorization (RA) Procedure**

All returns require a Return Authorization number whether the return reason is for warranty or non-warranty repair, rotation of stock, damage or any other type. Returns without an RA number will be refused.

Customer must call Kooltronic After Sale Kare (ASK), Pennington, New Jersey (609-466-3400) to obtain an RA number, or email [ask@kooltronic.com](mailto:ask@kooltronic.com).

The following information is required when an RA is requested:

- Original customer Purchase Order number and date
- Date product was received by customer
- Number of parts to be returned
- Product description, model and serial number
- Reason for return
- Action requested
- Contact name, telephone, FAX numbers and e-mail address

Pack unit in a suitable container for shipment, preferably the original packaging if available. All Air Conditioners must be returned in an upright position properly secured to a pallet. Improper packaging may void warranty claim. If an Air Conditioner is received laying down or shipped UPS or similar small parcel service the warranty will be void.

Mark carton prominently with Kooltronic's Return Authorization number.

Enclose all pertinent documents.

Freight charges on all products returned to Kooltronic shall be paid by the customer. Unauthorized collect shipments will be refused.

If a unit is repaired under Warranty, Kooltronic will pay the freight charges both ways within the Continental USA at Kooltronic's negotiated rates. Warranty repaired units will be returned to customer at Kooltronic expense only within the Continental USA.

All authorized returns are subject to a restocking fee.

*Warranty Registration*

