



Installation Instructions

Guardian Series
KNP40FL/KNP60FL

I. Introduction

These instructions provide you with the general information necessary for proper installation of the fan.

CAUTION

BEFORE INSTALLING THE FAN, IT IS IMPORTANT THAT THESE INSTRUCTIONS BE READ AND UNDERSTOOD THOROUGHLY

II. Cautions and Warnings

CAUTION

OPERATE THIS UNIT ONLY ON THE PROPER VOLTAGES AND FREQUENCIES AS NOTED ON THE NAMEPLATE.

CAUTION

DO NOT OPERATE FAN WITHOUT FANGUARD IN PLACE.

CAUTION

THE RISK OF FIRE, ELECTRIC SHOCK OR INJURY EXISTS WHEN CLEANING OR PERFORMING MAINTENANCE ON THESE UNITS. DISCONNECT THIS FAN FROM THE POWER SUPPLY BEFORE SERVICING.

CAUTION

THE RISK OF FIRE, ELECTRIC SHOCK OR INJURY EXISTS WHEN CLEANING OR PERFORMING MAINTENANCE ON THESE UNITS. DISCONNECT THIS FAN FROM THE POWER SUPPLY BEFORE SERVICING.

WARNING

TO REDUCE THE RISK OF FIRE OR ELECTRICAL SHOCK: DO NOT USE THIS FAN WITH ANY SOLID-STATE SPEED CONTROL DEVICE.

WARNING

TO REDUCE THE RISK OF FIRE, ELECTRIC SHOCK OR INJURY, OBSERVE THE FOLLOWING: USE THIS UNIT ONLY IN THE MANNER INTENDED BY KOOLTRONIC. IF YOU HAVE QUESTIONS, CONTACT KOOLTRONIC. BEFORE SERVICING OR CLEANING THIS UNIT, SWITCH POWER OFF AT THE SERVICE PANEL AND LOCK SERVICE PANEL TO PREVENT POWER FROM BEING SWITCHED ON ACCIDENTALLY. IF SERVICE PANEL CANNOT BE LOCKED, SECURELY FASTEN A PROMINENT WARNING DEVICE, SUCH AS A TAG, TO THE PANEL.

WARNING

TO REDUCE THE RISK OF FIRE, ELECTRIC SHOCK OR INJURY, OBSERVE THE FOLLOWING: INSTALLATION WORK AND ELECTRICAL WIRING MUST BE DONE BY QUALIFIED PERSON(S) IN ACCORDANCE WITH ALL APPLICABLE CODES AND STANDARDS, INCLUDING FIRE-RATED CONSTRUCTION. WHEN CUTTING OR DRILLING INTO A WALL OR CEILING, DO NOT DAMAGE ELECTRICAL WIRING AND OTHER HIDDEN UTILITIES.

CAUTION

FOR GENERAL VENTILATING USE ONLY. DO NOT USE THESE FANS TO EXHAUST HAZARDOUS OR EXPLOSIVE MATERIAL AND VAPORS.

CAUTION

NOT ALL SYSTEMS ARE SUITABLE FOR UTILIZING OUTSIDE AIR: TO PROTECT SENSITIVE COMPONENTS AGAINST CONDENSATION AN ENCLOSURE HEATER OR CLOSED-LOOP COOLING IS RECOMMENDED. TO PROTECT SENSITIVE COMPONENTS AGAINST CORROSIVE ELEMENTS CLOSED-LOOP COOLING IS RECOMMENDED.

CAUTION

DO NOT OPERATE THE FILTER FAN FOR EXTENDED PERIODS OF TIME WITH THE FILTER REMOVED. OPERATION WITH THE FILTER IN PLACE IS NECESSARY FOR THE FAN TO MAINTAIN ITS NEMA RATING.

III. Incoming Inspection

Kooltronic Guardian Series Filter Fans are designed, built and packaged to withstand the shock and vibration normally associated with shipment by common carriers. Occasionally improper handling during shipping causes damage. Therefore, a thorough inspection should be done upon receipt of all shipments. Any carton tears, dents, scratches, or loose articles should be noted on the Freight Bill. Cartons should be opened promptly and the units inspected for CONCEALED DAMAGE. An immediate claim MUST be filed with the freight carrier and an inspection requested. Retain all packing materials. Kooltronic cannot assume responsibility for Consignee's failure to file a timely freight claim.

IV. Product Handling

- Do not attempt to operate your Filter Fan until you read and thoroughly understand these instructions.
- Before operating this unit, all electrical wiring must be checked to assure the proper connections.
- Use only on GFCI Protected Receptacles.



V. Mounting

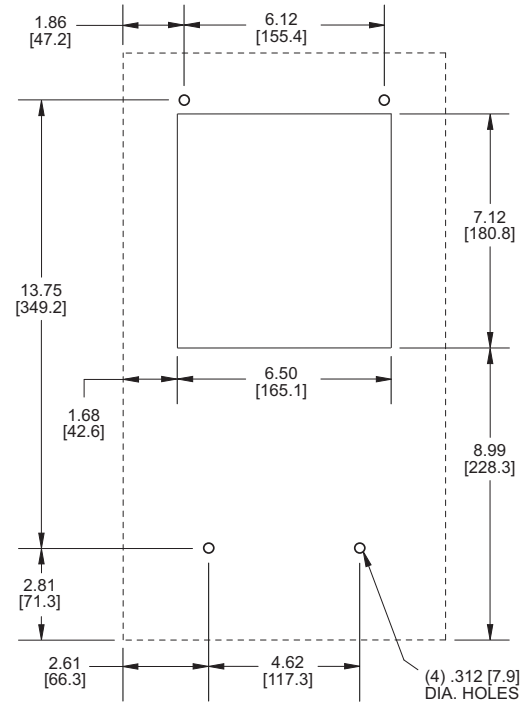
The Guardian Series NEMA 4 or 4X Filter Fans have been engineered to be installed easily. These NEMA 4 or 4X filter fans have been designed for indoor or outdoor use. Prior to mounting, refer the mounting drawings below showing dimensions and locations of mounting holes and cutouts. Prior to cutting or drilling, make sure that cutouts and mounting holes do not interfere with components inside the cabinet.

When mounting your filter fan please keep the following in mind:

- Proper orientation of unit is with filter at the bottom.
- A minimum of 6 inches clearance from filter to the nearest surface is recommended.
- Use neoprene washers provided.
- Recommended torque of 35-in-lbs for proper gasket compression.

Additional Information on this air conditioner can be found by visiting kooltronic.com and searching for the model number or use the Technical Document QR code below.

Technical Documents



MOUNTING PLAN

Dimensions, inches [mm], are for reference only and are subject to change.

VI. Warranty

Kooltronic products are warranted to be free of defects in workmanship, materials and components. The following warranty periods apply from date of shipment:

- Air moving devices/components and hermetic system components: 1 year
- Spare parts, except filters: 90 days

The warranty applies when the equipment is operated under the following conditions:

- Ambient temperature not in excess of 125°F (52°C) in normal atmosphere or as stated on product nameplate
- Voltage variation no greater than ±10% from nameplate rating
- Frequency variation no greater than ±3Hz from nameplate rating
- Maximum cooling load no higher than air conditioner nameplate rating
- Waiting five minutes before restarting air conditioner after intentional or accidental shutoff
- Compliance to all other installation, maintenance and operating instructions

The purchaser assumes the responsibility of grounding the unit and installing it in accordance with local electrical and safety codes, as well as the National Electric Code (NEC) and OSHA

KOOLTRONIC cannot assume responsibility for misapplication of its products or the erroneous selection of an inappropriate product by a non-authorized KOOLTRONIC representative. Our applications engineers will gladly assist in the selection of the proper product, provided all required details of the application are furnished.

KOOLTRONIC assumes no liability beyond the repair or replacement of its own product. This Warranty does not cover:

- Labor or reimbursement of labor for evaluation, removal, installation, repair or cost of any warranted part, unless authorized in writing by Kooltronic
- Use of equipment for other than its designed purpose or operating conditions.
- Operation in harsh, oily, corrosive or other abnormal environmental conditions, without the proper filtration, sealing, protective coatings and/or weather protection
- Damage to hermetic system resulting from continuous operation with dirty or clogged air filters or improper or negligent maintenance
- Use of refrigerant other than designated
- Customer modification or abuse
- Shipping damage or other accident (Claims for shipping damage are the responsibility of the customer. Timely claims must be filed by the customer with the freight carrier)
- Cracked or broken hermetic tubing, brazed joints or other internal damage caused by shipping damage or mishandling
- Damage caused by shipping units attached to an enclosure
- Any and all conditions resulting from noncompliance with the preceding operating conditions
- Returned freight must be paid by customer
- This Standard Warranty does not apply to custom products. Consult your Kooltronic representative for limitations

THIS WARRANTY CONSTITUTES THE ENTIRE WARRANTY WITH RESPECT TO THE PRODUCT AND IS IN LIEU OF ALL OTHERS, EXPRESSED OR IMPLIED, INCLUDING ANY WARRANTY OF MERCHANTABILITY AND WARRANTY OF FITNESS FOR A PARTICULAR PURPOSE AND IN NO EVENT IS KOOLTRONIC RESPONSIBLE FOR ANY CONSEQUENTIAL DAMAGES OF ANY NATURE WHATSOEVER.

VII. Return Authorization (RA) Procedure

For information on our RA Procedure please visit the kooltronic.com homepage and look under Support.

Warranty Registration

