

GUARDIAN & GUARDIANX DP15 NEMA 4 or 4X AIR CONDITIONERS

Model	NEMA Rating	UL/CUL Listed or Recognized	95/95 BTU/H Capacity	Ambient Temp.		Volts	Hz	Running Amps	Approx. Weight lbs. kg.	
				°F Max./Min	°C Max./Min					
KNA4C1DP15L	4	Listed	1160	950	131/-20	55/-28	115/100	60/50	4.3/4.3	26 12
KNA4C1DP15LV	4X	Listed	1160	950	131/-20	55/-28	115/100	60/50	4.3/4.3	26 12

115V 60 Hz models perform at reduced capacity when operated at 100V 50 Hz.
Rating shown is for operation at maximum ambient temperature.

STANDARD FEATURES

- Baked Powder Finish (NEMA 4 models)
- Built-in Condensate Evaporator
- CFC-Free Refrigerant
- Closed-Loop Cooling
- Compressor Short Cycle Protector
- Epoxy-Coated Condenser and Evaporator Coils
- Filter
- Heavy-duty Steel Shell (NEMA 4 models)
- Internal Corrosion Protection (NEMA 4X models)
- NEMA 12, 3R and 4 or 4X Ratings Maintained (UL50)
- Programmable Temperature Alarm
- Programmable Thermostat
- Six-Foot [1.8m] (minimum) 3-Wire Power Cord
- Stainless Steel Shell (NEMA 4X models)
- UL/CUL Listed

Find additional information on this model at kooltronic.com, or use the Technical Documents QR code below.

Technical Documents



ACCESSORIES AND OPTIONS

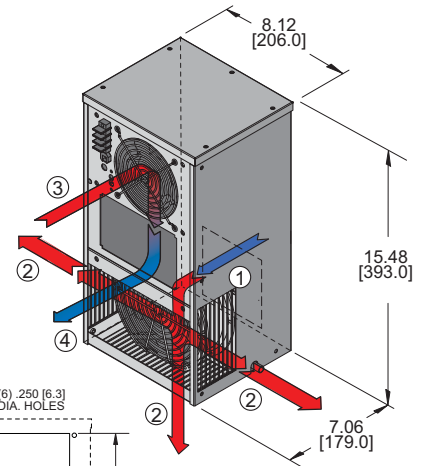
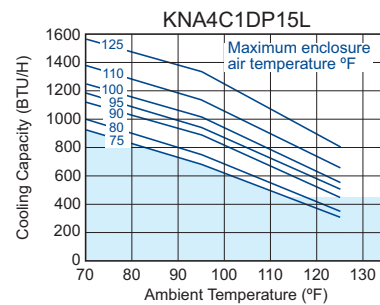
- Adapter
- Enclosure Heater
- Filter Recoating Adhesive
- Internal Corrosion Protection (NEMA 4 models)
- Remote Monitoring
- Remote Thermostat Relay
- Replacement Filters
- Special materials or finishes
- Special motors, line cords or connectors



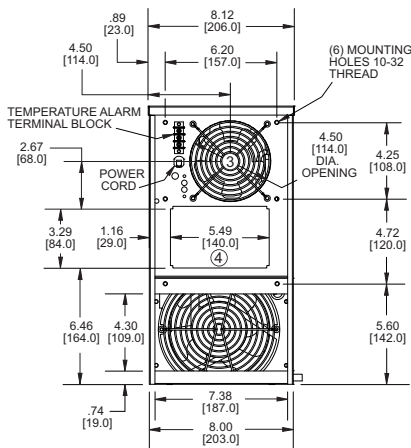
NEMA TYPE 4 OR 4X MAINTAINED



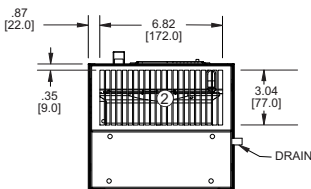
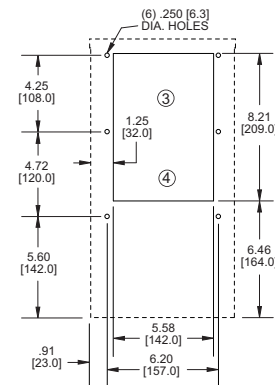
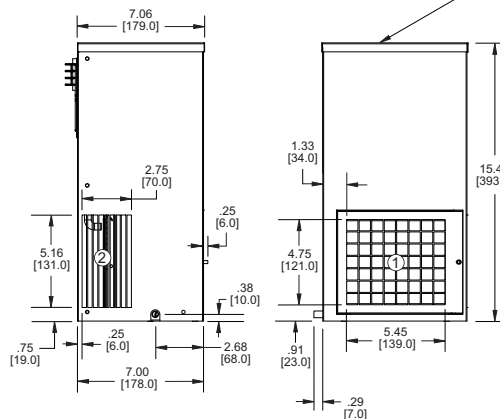
PERFORMANCE



DRAWINGS



NOTE: REMOVE TOP PANEL TO ACCESS PROGRAMMABLE THERMOSTAT

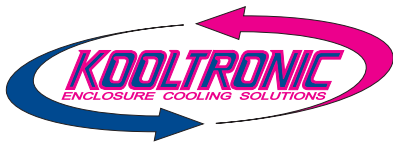


- ① CONDENSER AIR INLET (Ambient Air In)
- ② CONDENSER OUTLET (Warm Ambient Air Out)
- ③ WARM AIR RETURN FROM ENCLOSURE
- ④ COOL AIR OUTLET TO ENCLOSURE

Many popular units are available as 3D solid models for customer system integration. Please contact Kooltronic for details.

Dimensions, inches [mm], are for reference only and are subject to change.

dp15.qxd (10/27/21) (CDR: 20369)



GUARDIAN & GUARDIANX DP15 NEMA 4 or 4X AIR CONDITIONERS

DESCRIPTION

The **Guardian/GuardianX** Indoor/Outdoor Air Conditioners are designed specifically for **NEMA 4** and **4X** enclosure applications that require washdown or are subject to outdoor storm conditions. All **Guardian** models have a **NEMA 4** Rating, offering protection against the hazards of unwanted environmental penetration. The **GuardianX**, with the **NEMA 4X** Rating, is offered with a Stainless Steel Shell and Internal Corrosion Protection.

With Epoxy-coated condenser coils and a closed-loop cooling system, the **Guardian Series** offers added security by providing an operating environment safe from harsh ambient conditions.

The features engineered into all of the **Guardian Series** models make them a tamper-resistant choice for external applications. Combined with a NEMA 4 Rating, with all models UL/CUL Listed, the **Guardian Series** is an excellent choice for telecommunications or other outdoor cabinet applications.

FEATURES AND BENEFITS (STANDARD)

All models UL and cUL Listed, a standard of safety.

Built-in condensate evaporator eliminates the need for a drain (normal operation*).

CFC-free refrigerant provides a zero ozone depletion potential.

Closed-loop cooling provides stable temperature control while excluding dust and humidity from the electrical enclosure.

Compressor short-cycling protection extends compressor life.

Condenser impeller cycling provides stable capacity and temperature control.

Condenser filtration to maintain peak thermal performance extends compressor life.

Internal corrosion protection to increase reliability in hostile environments.

Programmable thermostat capable of remote monitoring and control.

Programmable temperature alarm to alert if early action required.

NEMA 12, 3R & 4 ratings for compatibility with listed electrical enclosures.

Stainless steel shell for NEMA 4X corrosive environments (NEMA 4X models).

Both evaporator and condenser coils are epoxy coated, prolonging unit life.

* May not be adequate in extremely high humidity with open or leaky enclosure. Overflow condensate drain fitting and hose are included.

FEATURES AND BENEFITS (OPTIONAL)*

Enclosure heater eliminates damaging condensation, increasing reliability of electrical enclosure components.

Mounting adapter plates are offered to replace another manufacturer's unit.

Remote monitoring provides temperature data for warning of early action required.

Remote thermostat relay for control by a user-supplied control system.

Special paint finishes.

*Contact KOOLTRONIC for more information.

REPLACEMENT FILTERS

The DP15L-LV filter Part No. is 525F (5.25" x 6.44" x 0.09" [133.3mm x 112.8mm x 2.3mm]).

