

GUARDIAN KNA4C9DP47L-1 NEMA 4 AIR CONDITIONERS

Model	NEMA Rating	UL/CUL Listed or Recognized	95/95 BTU/H Capacity	Ambient Temp.		Volts	Hz	Running Amps	Refrigerant Charge	Approx. Weight lbs. kg.	
				Rating BTU/H	°F Max./Min						°C Max./Min
KNA4C9DP47L-1	4	Listed	9000	7400	131/-20	55/-28	115/100	60/50	19.2/19.2	31.0 oz	135 62

115V 60 Hz models perform at reduced capacity when operated at 100V 50 Hz.
Rating shown is for operation at maximum ambient temperature.

STANDARD FEATURES

- Baked Powder Finish
- Built-in Condensate Evaporator
- CFC-Free R134a Refrigerant
- Closed-Loop Cooling
- Compressor Short Cycle Protector
- Condenser Air Filter
- Condenser Impeller Cycling
- Epoxy-Coated Condenser and Evaporator Coils
- Heavy-duty Steel Shell
- Hot Gas Bypass Valve
- NEMA 4 Rating Maintained (UL50)
- Programmable Temperature Alarm
- Programmable Thermostat w/ Cover
- Remote Monitoring (TTL Serial Connection)
- Thermal Expansion Valve
- Twenty Foot [6M] Power Cord w/ Plug
- 3/8" ID X 1/2" OD PVC Drain Tube (5 Foot)
- UL/CUL Listed

ACCESSORIES AND OPTIONS

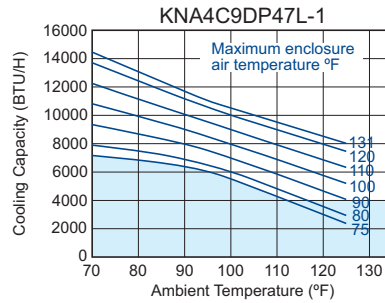
- Replacement Filters (P/N 8001F)



**NEMA
TYPE 4 OR 4X
MAINTAINED**

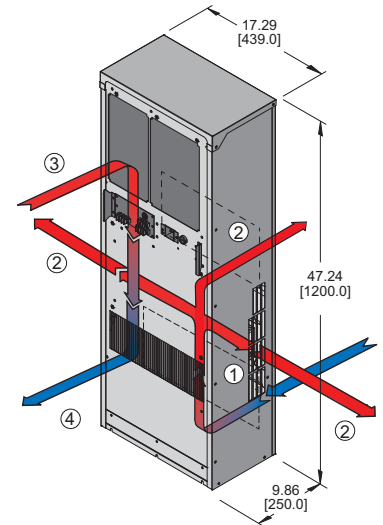


PERFORMANCE



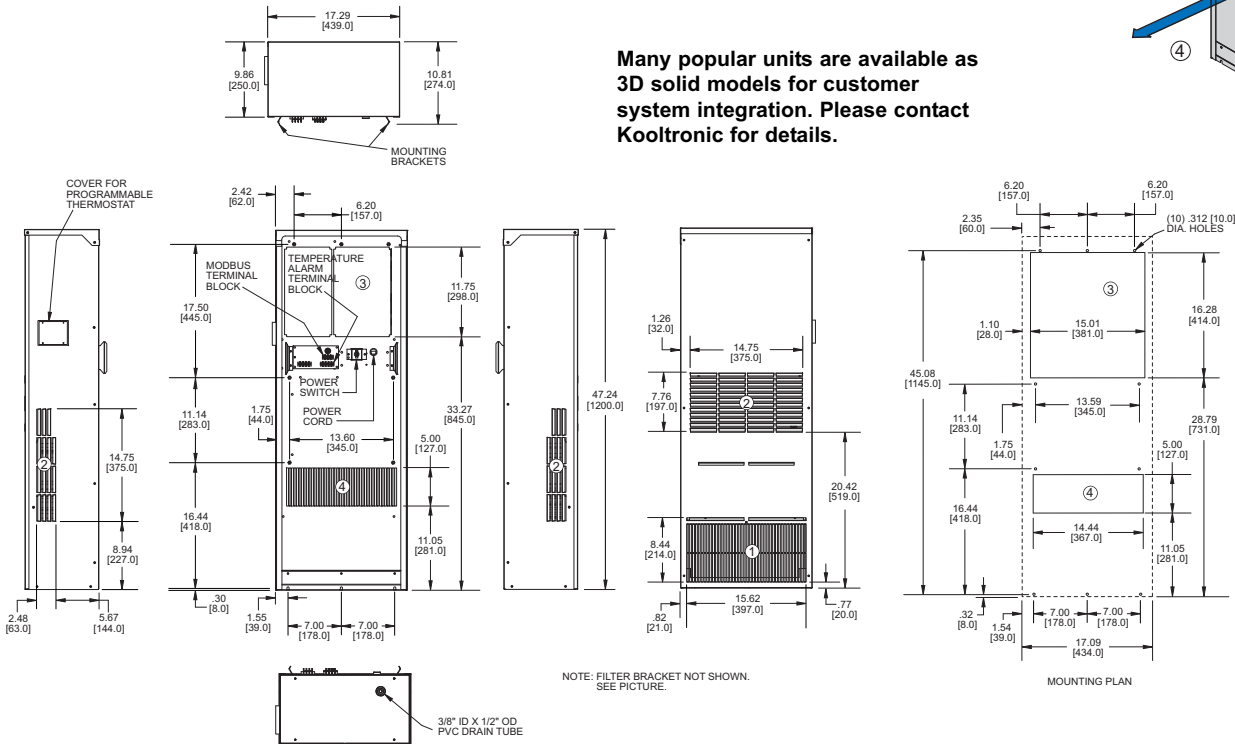
Operation within shaded area not recommended.

- CONDENSER AIR INLET (Ambient Air In)
- CONDENSER OUTLET (Warm Ambient Air Out)
- WARM AIR RETURN FROM ENCLOSURE
- COOL AIR OUTLET TO ENCLOSURE



DRAWINGS

Many popular units are available as 3D solid models for customer system integration. Please contact Kooltronic for details.



NOTE: FILTER BRACKET NOT SHOWN. SEE PICTURE.

Dimensions, inches [mm], are for reference only and are subject to change.

dp471-1.qxd (2/7/20) (CDR: 20226)