

GUARDIAN KNA4C9DP47L-2 NEMA 4 AIR CONDITIONERS

| Model | NEMA Rating | UL/CUL Listed or Recognized | 95/95 BTU/H Capacity | Rating BTU/H | Ambient Temp. | | Volts | Hz | Running Amps | Refrigerant Charge | Approx. Weight lbs. kg. |
|---------------|-------------|-----------------------------|----------------------|--------------|---------------|-------------|---------|-------|--------------|--------------------|-------------------------|
| | | | | | °F Max./Min | °C Max./Min | | | | | |
| KNA4C9DP47L-2 | 4 | Listed | 9000 | 7400 | 131/-20 | 55/-28 | 115/100 | 60/50 | 19.2/19.2 | 31.0 oz | 135 62 |

115V 60 Hz models perform at reduced capacity when operated at 100V 50 Hz.
Rating shown is for operation at maximum ambient temperature.

STANDARD FEATURES

- Baked Powder Finish
- Built-in Condensate Evaporator
- CFC-Free R134a Refrigerant
- Closed-Loop Cooling
- Compressor Short Cycle Protector
- Condenser Air Filter
- Condenser Impeller Cycling
- Epoxy-Coated Condenser and Evaporator Coils
- Heavy-duty Steel Shell
- Hot Gas Bypass Valve
- NEMA 4 Rating Maintained (UL50)
- Programmable Temperature Alarm
- Programmable Thermostat w/ Cover
- Remote Monitoring (TTL Serial Connection)
- Thermal Expansion Valve
- Twenty Foot [6M] Power Cord w/ Plug
- 3/8" ID X 1/2" OD PVC Drain Tube (5 Foot)
- UL/CUL Listed

ACCESSORIES AND OPTIONS

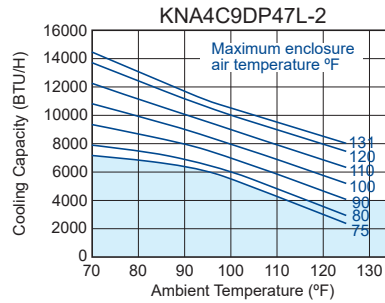
- Replacement Filters (P/N 8001F)



**NEMA
TYPE 4 OR 4X
MAINTAINED**

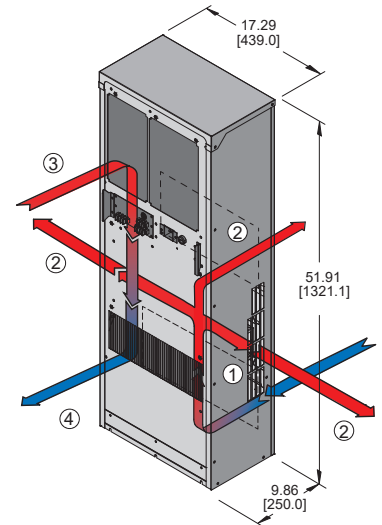


PERFORMANCE



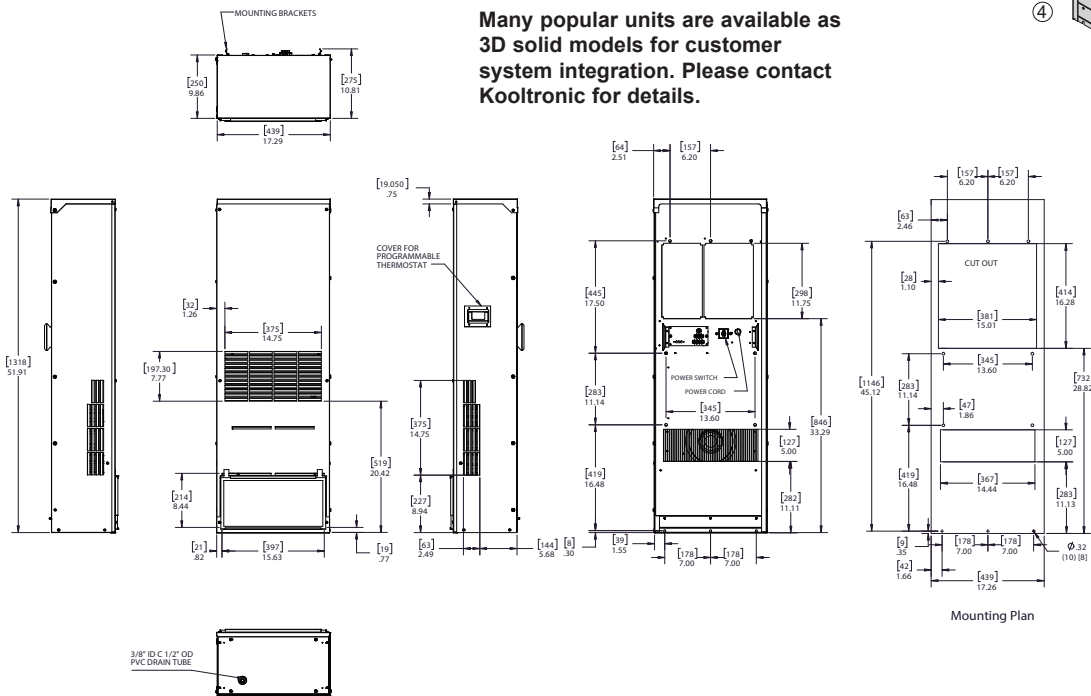
Operation within shaded area not recommended.

- CONDENSER AIR INLET (Ambient Air In)
- CONDENSER OUTLET (Warm Ambient Air Out)
- WARM AIR RETURN FROM ENCLOSURE
- COOL AIR OUTLET TO ENCLOSURE



DRAWINGS

Many popular units are available as 3D solid models for customer system integration. Please contact Kooltronic for details.



Dimensions, inches [mm], are for reference only and are subject to change.

dp471-2.qxd (3/22) (CDR: 20395)