

GUARDIAN/GUARDIANX SERIES DP60 480 VOLT 3-PHASE NEMA 4 or 4X AIR CONDITIONERS

These units are discontinued, and this information is presented for reference purposes only.

Recommended replacement: See *Guardian/GuardianX* or *SlimKool* Series or current *TrimLine* Series.

Model	NEMA Rating	UL/CUL Listed or Recognized	BTU/H Capacity	95/95 Rating BTU/H	Ambient Temp.		Volts	Hz	Running Amps	Approx. Weight	
					°F Max./Min	°C Max./Min				lbs.	kg.
K3NA6C26DP60L	4	Listed	26000	22800	131/-20	55/-28	480	60	7.4	262	120
K3NA6C26DP60LV	4X	Listed	26000	22800	131/-20	55/-28	480	60	7.4	262	120

Rating shown is for operation at maximum ambient temperature.



NEMA TYPE 4 OR 4X MAINTAINED



STANDARD FEATURES

- Baked Powder Finish (NEMA 4 models)
- Closed-Loop Cooling
- Compressor Short Cycle Protector
- Condenser Blower Controller
- Epoxy-Coated Condenser and Evaporator Coils
- External junction box for permanent wiring connections
- Filters (2)
- Heavy-duty Steel Shell (NEMA 4 models)
- Internal Corrosion Protection (NEMA 4X models)
- NEMA 4 or 4X Rating Maintained (UL50)
- Programmable Temperature Alarm
- Programmable Thermostat Available
- Stainless Steel Shell (NEMA 4X models)
- UL/CUL Listed
- Zero ODP Refrigerant

ACCESSORIES AND OPTIONS

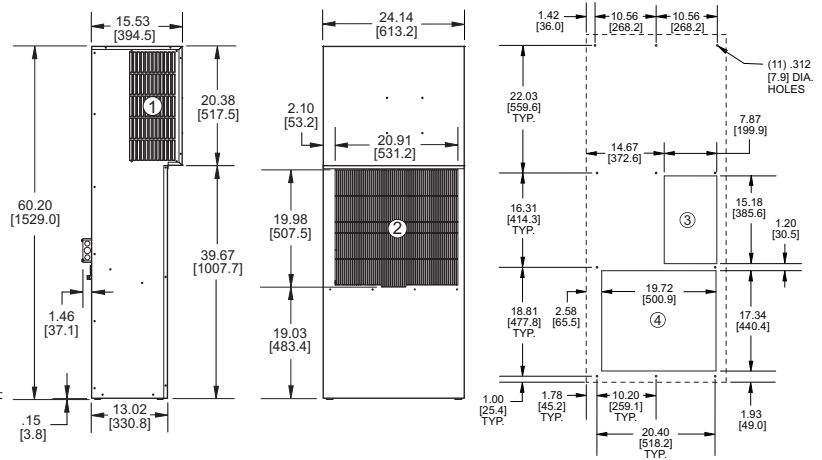
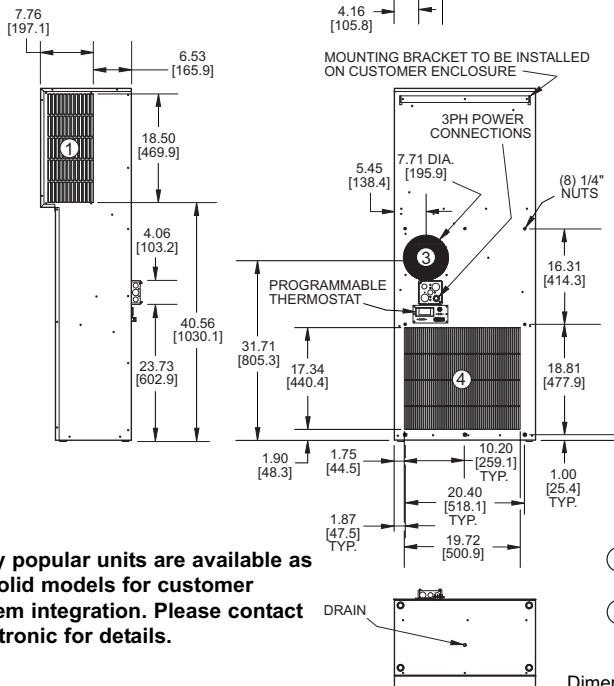
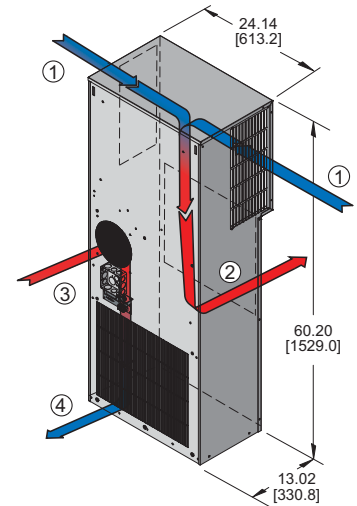
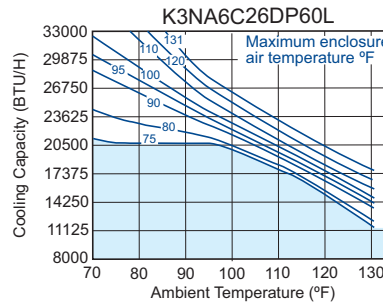
- Adapters
- Enclosure Heater
- Filter Recoating Adhesive
- Internal Corrosion Protection (NEMA 4 models)
- Remote Monitoring
- Remote Thermostat Relay
- Replacement Filters
- Special paint finishes

Find additional information on this model at kooltronic.com, or use the Technical Documents QR code below.

Technical Documents



PERFORMANCE

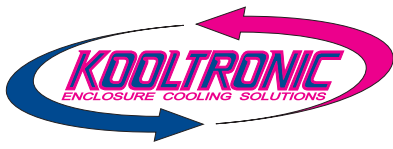


- ① CONDENSER AIR INLET (Ambient Air In)
- ② CONDENSER OUTLET (Warm Ambient Air Out)
- ③ WARM AIR RETURN FROM ENCLOSURE
- ④ COOL AIR OUTLET TO ENCLOSURE

Dimensions, inches [mm], are for reference only and are subject to change.

dp60-lvd.qxd (12/21) (CDR: 20369)

Many popular units are available as 3D solid models for customer system integration. Please contact Kooltronic for details.



GUARDIAN/GUARDIANX SERIES DP60 480 VOLT 3-PHASE NEMA 4 or 4X AIR CONDITIONERS

DESCRIPTION

The **Guardian/GuardianX** Indoor/Outdoor Air Conditioners are designed specifically for **NEMA 4** or **4X** enclosure applications that require washdown or are subject to outdoor storm conditions. All **Guardian** models have a **NEMA 4** Rating. The **GuardianX**, with the **NEMA 4X** Rating, is offered with a Stainless Steel Shell and Internal Corrosion Protection. These Air Conditioners have been engineered to operate under the most demanding industrial applications. The components used in these models have been specially designed and tested to maintain cooling efficiency in temperature controlled enclosures in bottling plants, the automotive industry and other commercial/manufacturing applications.

With Epoxy-coated coils and tubing, the closed-loop cooling system of the **Guardian/GuardianX** offers added security by providing an operating environment safe from harsh ambient conditions.

The features engineered into all of the **Guardian/GuardianX Series** models make them a tamper-resistant choice for external applications. Combined with a NEMA 4 Rating, with all models UL/CUL Listed, the **Guardian Series** is an excellent choice for telecommunications or other outdoor cabinet applications.

FEATURES AND BENEFITS (STANDARD)

All models UL/CUL Listed, a standard of safety.

CFC-free refrigerant provides a zero ozone depletion potential.

Closed-loop cooling provides stable temperature control while excluding dust and humidity from the electrical enclosure.

Compressor short-cycling protection extends compressor life.

Condenser impeller cycling provides stable capacity and temperature control.

Condenser filtration to maintain peak thermal performance extends compressor life.

Internal corrosion protection to increase reliability in hostile environments.

NEMA 12, 3R & 4 ratings for compatibility with listed electrical enclosures.

Programmable thermostat capable of remote monitoring and control is available.

Programmable temperature alarm to alert if early action required.

Stainless steel shell for NEMA 4X corrosive environments (NEMA 4X models).

Both evaporator and condenser coils are epoxy coated, prolonging unit life.

FEATURES AND BENEFITS (OPTIONAL)*

Enclosure heater eliminates damaging condensation, increasing reliability of electrical enclosure components.

Mounting adapter plates are offered to replace another manufacturer's unit.

Remote monitoring provides temperature data for warning of early action required.

Remote thermostat relay for control by a user-supplied control system.

Special paint finishes.

*Contact KOOLTRONIC for more information.

REPLACEMENT FILTERS

The DP60L filter Part No. is 19381F (9.25" x 19.38" x 0.34" [235.0mm x 492.2mm x 8.6mm]). The **Guardian Series DP60L** uses two filters.

