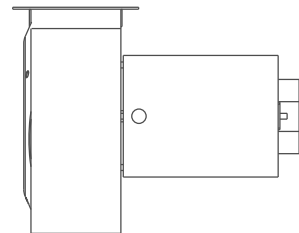
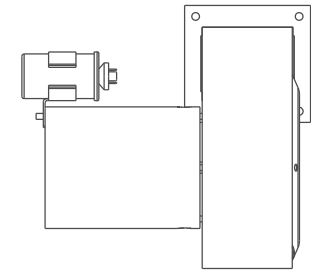
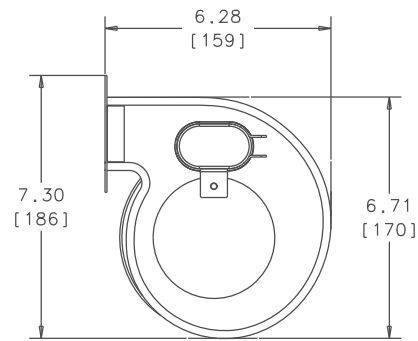
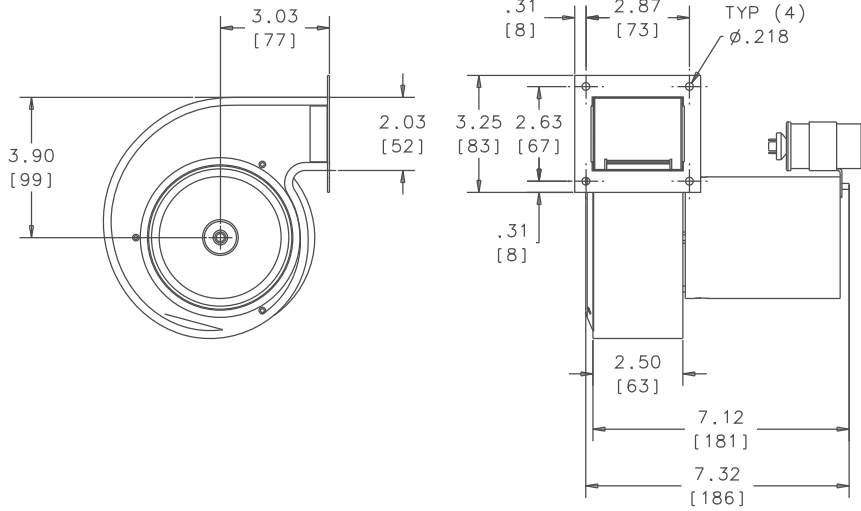
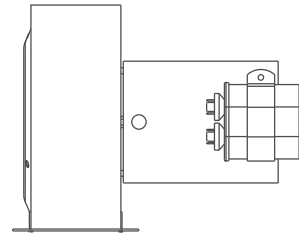


THIS DOCUMENT IS THE PROPERTY OF KOOLTRONIC, INC. AND CONTAINS PROPRIETARY AND CONFIDENTIAL INFORMATION WHICH MUST NOT BE DUPLICATED, USED OR DISCLOSED TO OTHERS, EXCEPT AS EXPRESSLY AUTHORIZED IN WRITING BY KOOLTRONIC, INC.

REVISIONS				
SYM	NOTICE	DESCRIPTION	DATE	APPROVED
-		NEW DRAWING RELEASE	7/27/99	SDS

A  
B  
C  
D  
E  
F

A  
B  
C  
D  
E  
F



ALL DIMENSIONS ARE IN INCHES. DIMENSIONS DESIGNATED MM ARE IN MILLIMETERS.				DRAWN		DATE	
UNLESS OTHERWISE SPECIFIED TOLERANCES NON-ACCUMULATIVE				STEVE S.		7/27/99	
TOL. ON	INCHES	MM	CHECKED				
.XX	± .02	±	ENG.				
.XXX	± .010	±	MFG. ENG.				
ANGULAR	± 1/2 °						
MATERIAL			APPROVED		CODE IDENT. NO.		
UNIT			KBB38		06223		
					SIZE		
					C		
					DWG. NO.		
					KBB38		
					REV		
					-		
					SCALE		
					.37=1		
					CAD. REF.		
					SHEET 1 OF 1		



GENERAL ARRANGEMENT  
BLOWER SINGLE

1 2 3 4 5 6 7 8