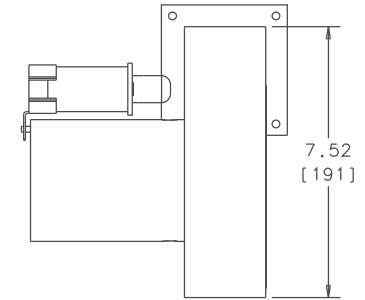
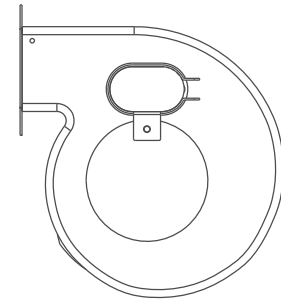
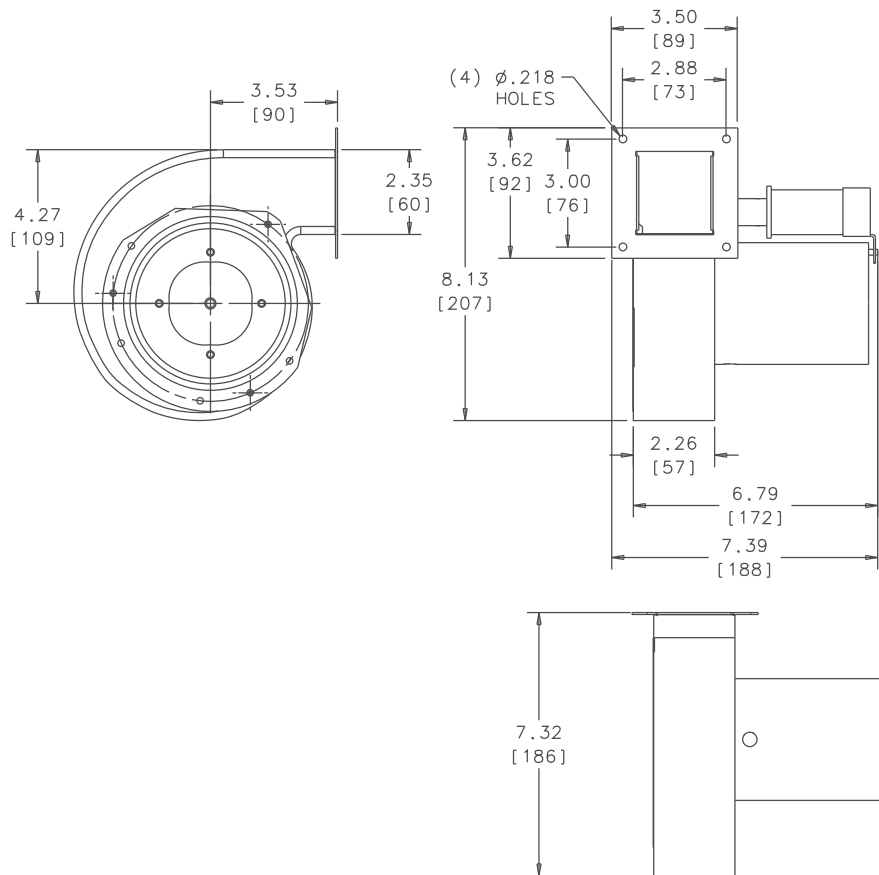


THIS DOCUMENT IS THE PROPERTY OF KOOLTRONIC, INC. AND CONTAINS PROPRIETARY AND CONFIDENTIAL INFORMATION WHICH MUST NOT BE DUPLICATED, USED OR DISCLOSED TO OTHERS, EXCEPT AS EXPRESSLY AUTHORIZED IN WRITING BY KOOLTRONIC, INC.

REVISIONS				
SYM	NOTICE	DESCRIPTION	DATE	APPROVED
-		PRELIMINARY DRAWING	12/20/99	RL



TOLERANCES				DRAWN		DATE		KOOLOTRONIC, INC.			
TOL. ON	INCHES	MILLIMETERS	UNLESS OTHERWISE SPECIFIED TOLERANCES NON-ACCUMULATIVE	BY	DATE	HOPEWELL, NJ VENTURA, CA USA					
.XX	± .02	±		R. LIEDTKA	12/20/99	TITLE					
.XXX	± .010	±				GENERAL ARRANGEMENT					
ANGULAR		± 1/2 °				CODE IDENT. NO.	SIZE	DWG. NO.	REV		
MATERIAL						06223	C	KBB47	-		
UNIT				APPROVED		SCALE	CAD. REF.	SHEET	1 OF 1		
						.375=1					