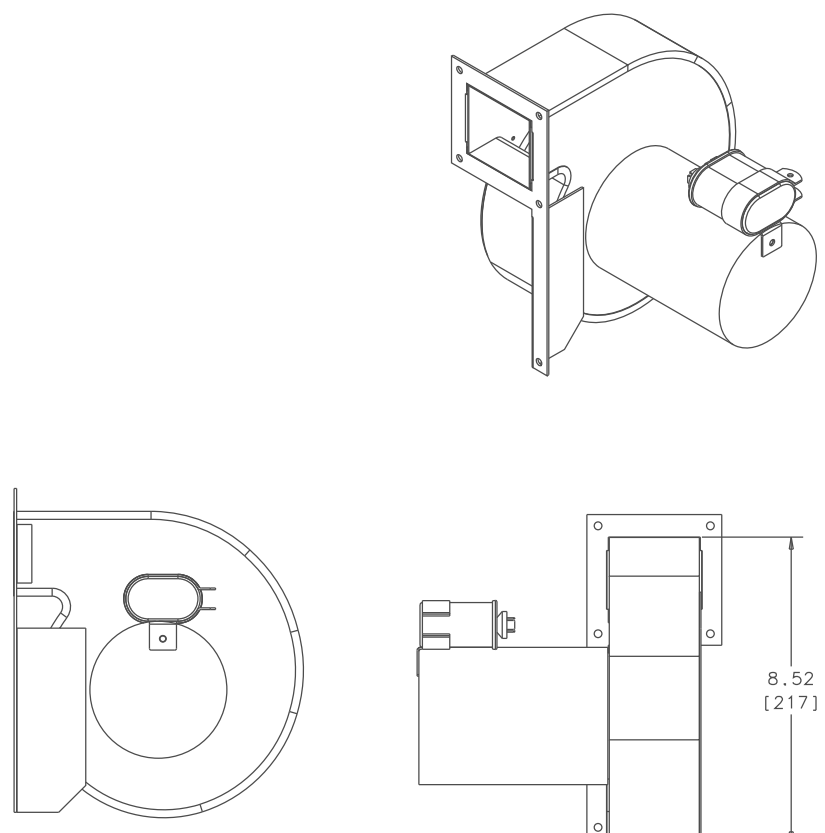
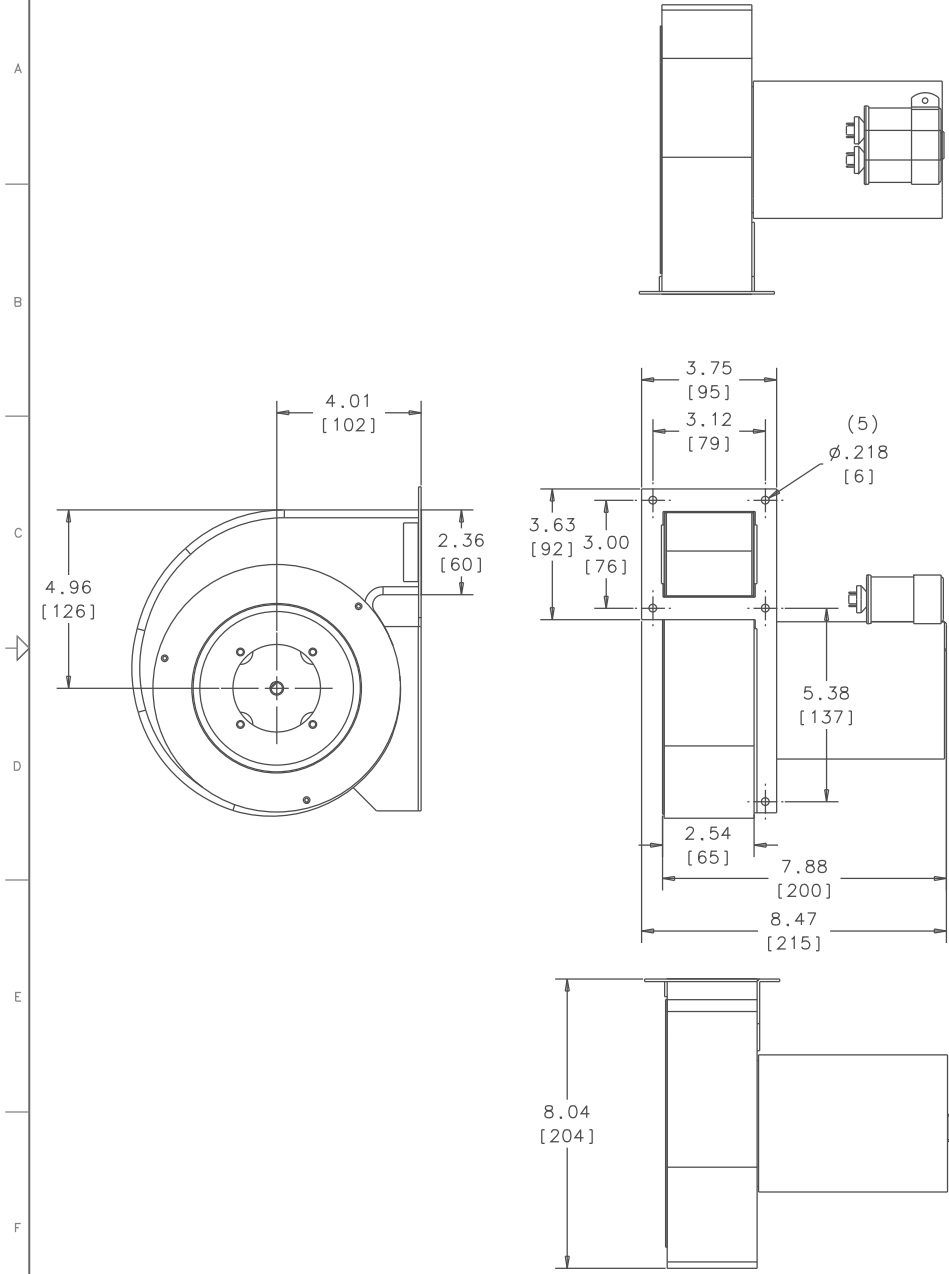


THIS DOCUMENT IS THE PROPERTY OF KOOLTRONIC, INC. AND CONTAINS PROPRIETARY AND CONFIDENTIAL INFORMATION WHICH MUST NOT BE DUPLICATED, USED OR DISCLOSED TO OTHERS, EXCEPT AS EXPRESSLY AUTHORIZED IN WRITING BY KOOLTRONIC, INC.

REVISIONS				
SYM	NOTICE	DESCRIPTION	DATE	APPROVED
-		NEW DRAWING RELEASE	11/22/19	SDS/



UNLESS OTHERWISE SPECIFIED TOLERANCES NON-ACCUMULATIVE				DRAWN		DATE	
TOL. ON	INCHES	MM	CHECKED	Steve Schmierer	11/22/19	TITLE	
.XX	± .02	±	ENG.			GENERAL ARRANGEMENT KBB50	
.XXX	± .010	±	MFG. ENG.			CODE IDENT. NO.	
ANGULAR	± 1/2 °		APPROVED			06223	SIZE
MATERIAL						C	DWG. NO.
UNIT	KBB50					KBB50	REV
						-	SCALE
						.375=1	CAD. REF.
							SHEET
							1
							OF
							1

