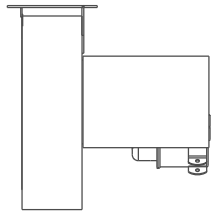
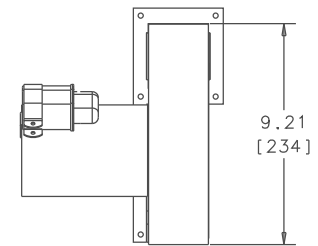
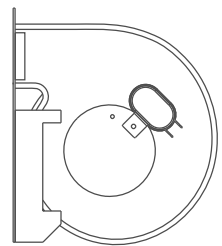
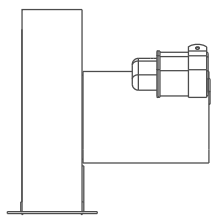
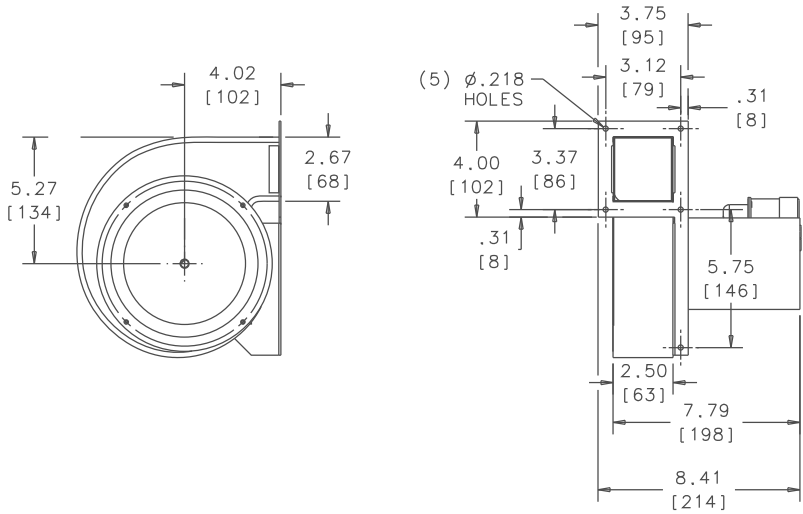


THIS DOCUMENT IS THE PROPERTY OF KOOLTRONIC, INC. AND CONTAINS PROPRIETARY AND CONFIDENTIAL INFORMATION WHICH MUST NOT BE DUPLICATED, USED OR DISCLOSED TO OTHERS, EXCEPT AS EXPRESSLY AUTHORIZED IN WRITING BY KOOLTRONIC, INC.

REVISIONS				
SYM	NOTICE	DESCRIPTION	DATE	APPROVED
-		PRELIMINARY DRAWING	2/22/00	RL

A  
B  
C  
D  
E  
F

A  
B  
C  
D  
E  
F



ALL DIMENSIONS ARE IN INCHES. DIMENSIONS DESIGNATED MM ARE IN MILLIMETERS.			DRAWN R. LIEDTKA		DATE 2/22/00
UNLESS OTHERWISE SPECIFIED TOLERANCES NON-ACCUMULATIVE			CHECKED		
TOL. ON	INCHES	MM	ENG.		
.XX	± .02	±	MFG. ENG.		
.XXX	± .010	±			
ANGULAR			± 1/2 °		
MATERIAL			APPROVED		
UNIT			SCALE .25 = 1		
CODE IDENT. NO. 06223			SIZE C	DWG. NO. KBB58	
TITLE GENERAL ARRANGEMENT KBB58			SHEET 1 OF 1		REV -



GENERAL ARRANGEMENT  
KBB58

SCALE .25 = 1  
SHEET 1 OF 1

1 2 3 4 5 6 7 8