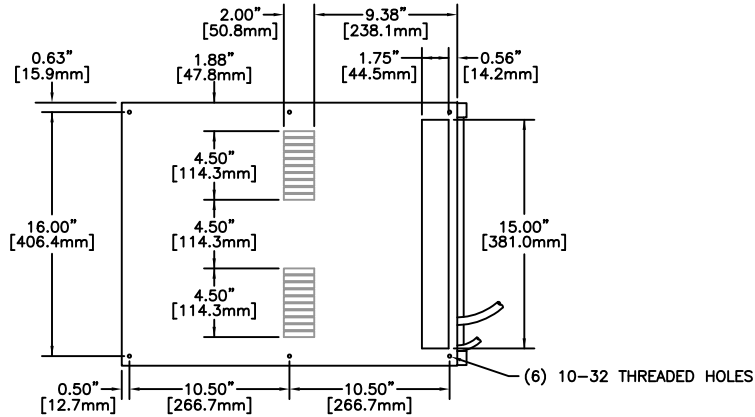
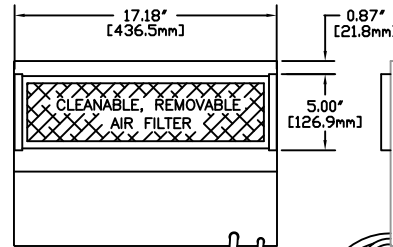
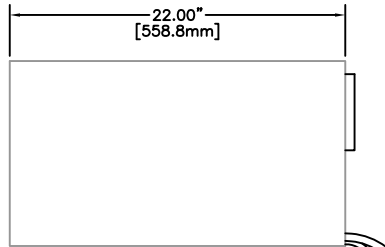
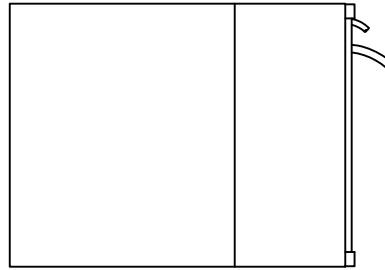
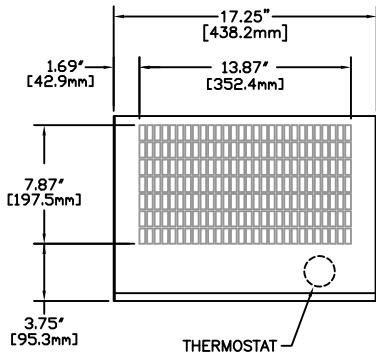
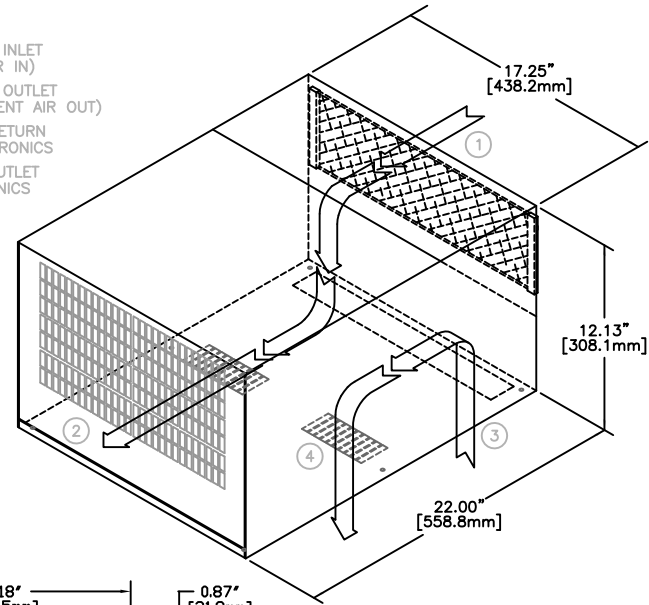


THIS DOCUMENT IS THE PROPERTY OF KOOLTRONIC, INC. AND CONTAINS PROPRIETARY AND CONFIDENTIAL INFORMATION WHICH MUST NOT BE DUPLICATED, USED OR DISCLOSED OTHER THAN AS EXPRESSLY AUTHORIZED BY KOOLTRONIC, INC.

REVISIONS				
SYM	NOTICE	DESCRIPTION	DATE	APPROVED

- ① CONDENSER INLET (AMBIENT AIR IN)
- ② CONDENSER OUTLET (WARM AMBIENT AIR OUT)
- ③ WARM AIR RETURN FROM ELECTRONICS
- ④ COOL AIR OUTLET TO ELECTRONICS



UNLESS OTHERWISE SPECIFIED TOLERANCES NON-ACCUMULATIVE					DRAWN	DATE
TOL. ON	INCHES	MM	CHECKED	STEVE S.	5/1/97	
.XX	± .02	±	ENG.			
.XXX	± .010	±	MFG. ENG.			
ANGULAR	± 1/2°					
MATERIAL			APPROVED			
UNIT	KA4C...H5L					

<b>KOOLTRONIC, INC.</b> PENNINGTON, NJ USA			
TITLE KA4C...H5L RACK MOUNT HORIZ. AIR CONDITIONER			
CODE IDENT. NO.	SIZE	DWG. NO.	REV
06223	C	GA000235A	-
SCALE	NTS	CAD. REF. GA000235A	SHEET 1 OF 1