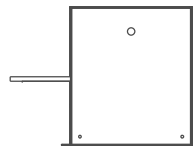
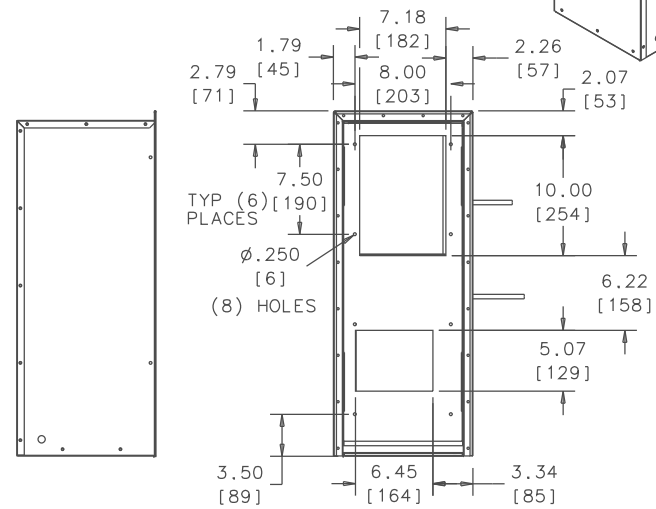
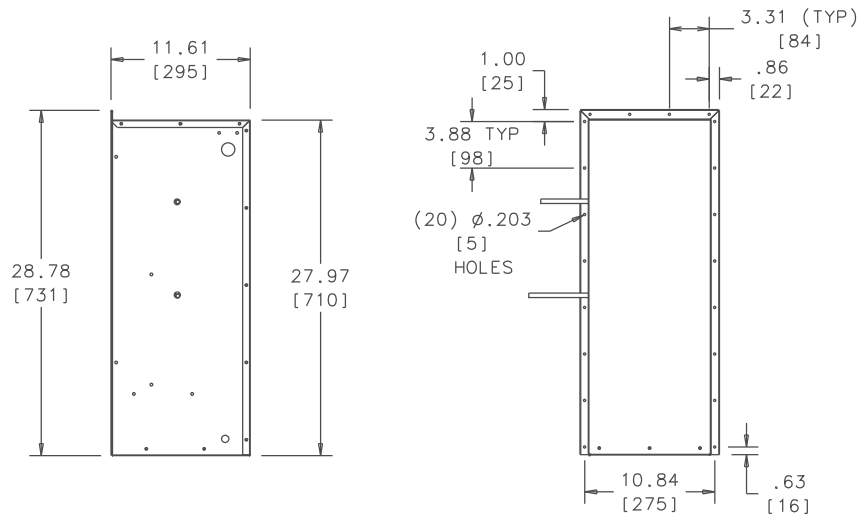
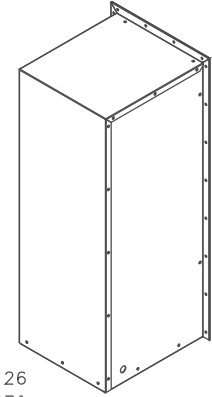
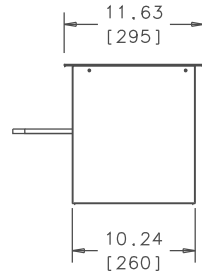


THIS DOCUMENT IS THE PROPERTY OF KOOLTRONIC, INC. AND CONTAINS PROPRIETARY AND CONFIDENTIAL INFORMATION WHICH MUST NOT BE DUPLICATED, USED OR DISCLOSED TO OTHERS, EXCEPT AS EXPRESSLY AUTHORIZED IN WRITING BY KOOLTRONIC, INC.

| REVISIONS |           |                             |         |          |
|-----------|-----------|-----------------------------|---------|----------|
| SYM       | NOTICE    | DESCRIPTION                 | DATE    | APPROVED |
| -         | EC 04/129 | NEW DRAWING RELEASE         | 5/20/04 | SDS      |
| A         | EC 05/035 | ADDED M-TAB DIMS, BACK VIEW | 1/28/05 | SDS      |
| B         | ER 08/055 | PICTORIAL UPDATE.           | 8/11/08 | DW-      |



| UNLESS OTHERWISE SPECIFIED TOLERANCES NON-ACCUMULATIVE |         |    |                 | DRAWN DATE    |                              | Kooltronic, Inc. |           |              |   |
|--|---------|----|-----------------|---------------|------------------------------|------------------|-----------|--------------|---|
| TOL. ON  | INCHES  | MM | STEVE SCHMIERER | 5/20/04       | HOPEWELL, NJ VENTURA, CA USA |                  |           |              |   |
| .XX  | ± .02   | ±  | JERRY STEDNICK  | 8/21/08       | TITLE                        |                  |           |              |   |
| .XXX   | ± .010  | ±  | RON K           | 8/21/08       | GENERAL ARRANGEMENT KNHE28   |                  |           |              |   |
| ANGULAR  | ± 1/2 ° |    | MFG. ENG.       |               |                              |                  |           |              |   |
| MATERIAL   | SEE BOM |    |                 |               | CODE IDENT. NO.              | SIZE             | DWG. NO.  | REV          |   |
| UNIT   | KNHE28  |    | APPROVED        | BRUCE KREELEY | 8/21/08                      | 06223            | C         | GA00371A     | B |
|  |         |    |                 |               | SCALE                        | .125 = 1         | CAD. REF. | SHEET 1 OF 1 |   |