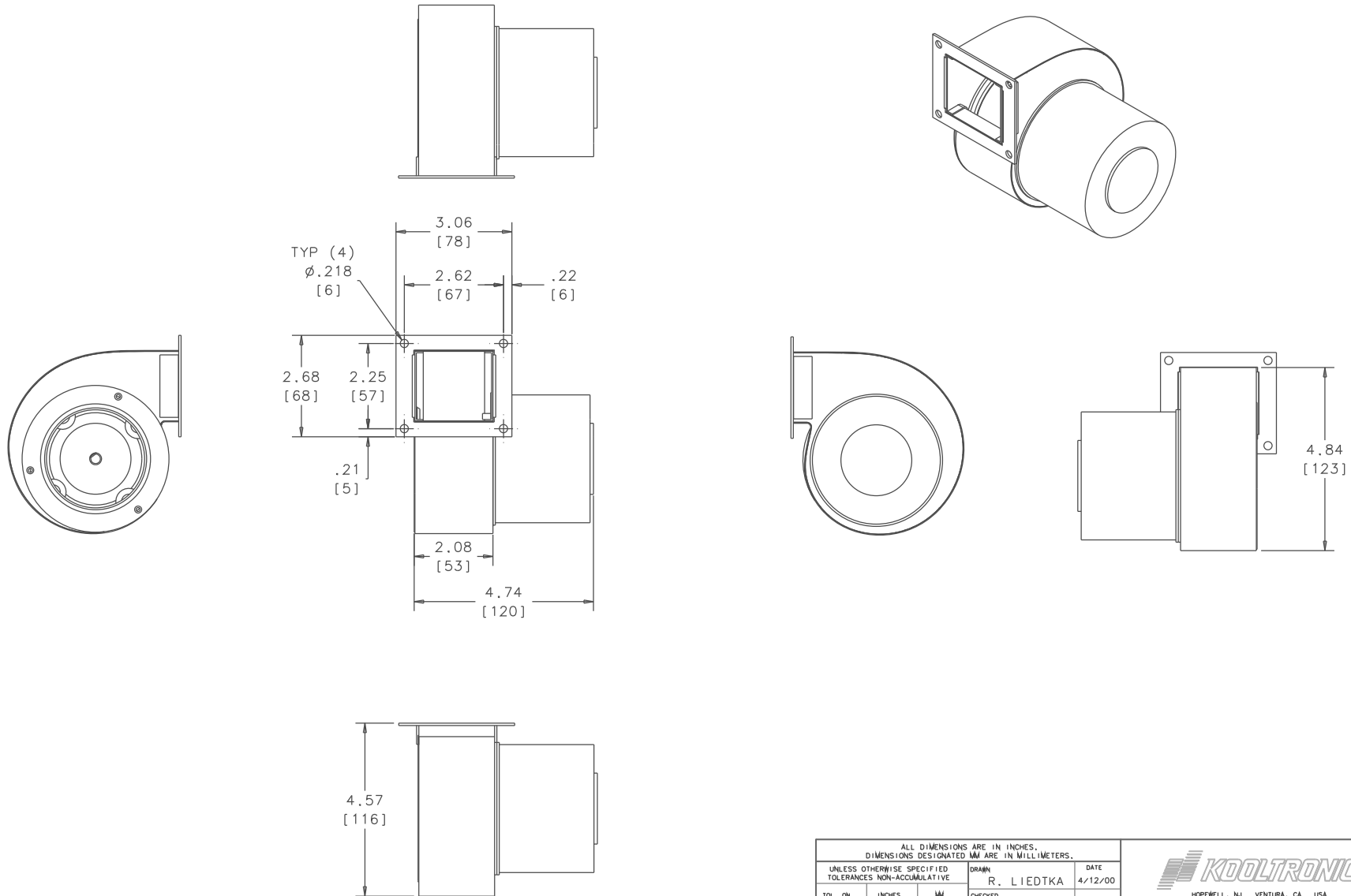


THIS DOCUMENT IS THE PROPERTY OF KOOLTRONIC, INC. AND CONTAINS PROPRIETARY AND CONFIDENTIAL INFORMATION WHICH MUST NOT BE DUPLICATED, USED OR DISCLOSED TO OTHERS, EXCEPT AS EXPRESSLY AUTHORIZED IN WRITING BY KOOLTRONIC, INC.

REVISIONS				
SYM	NOTICE	DESCRIPTION	DATE	APPROVED
-		PRELIMINARY DRAWING	4/12/00	RL



ALL DIMENSIONS ARE IN INCHES. DIMENSIONS DESIGNATED MM ARE IN MILLIMETERS.			DRAWN: R. LIEDTKA DATE: 4/12/00		 HOPEWELL, NJ VENTURA, CA USA
UNLESS OTHERWISE SPECIFIED TOLERANCES NON-ACCUMULATIVE			CHECKED:	ENG.	
TOL. ON	INCHES	MM	ENG.	MFG. ENG.	TITLE
.XX	± .02	±			GENERAL ARRANGEMENT KBB25
.XXX	± .010	±			
ANGULAR	± 1/2 °				
MATERIAL			APPROVED		CODE IDENT. NO. 06223
UNIT KBB25					SIZE C
					DWG. NO. GA00392A
					SCALE .5 = 1
					CAD. REF.
					SHEET 1 OF 1