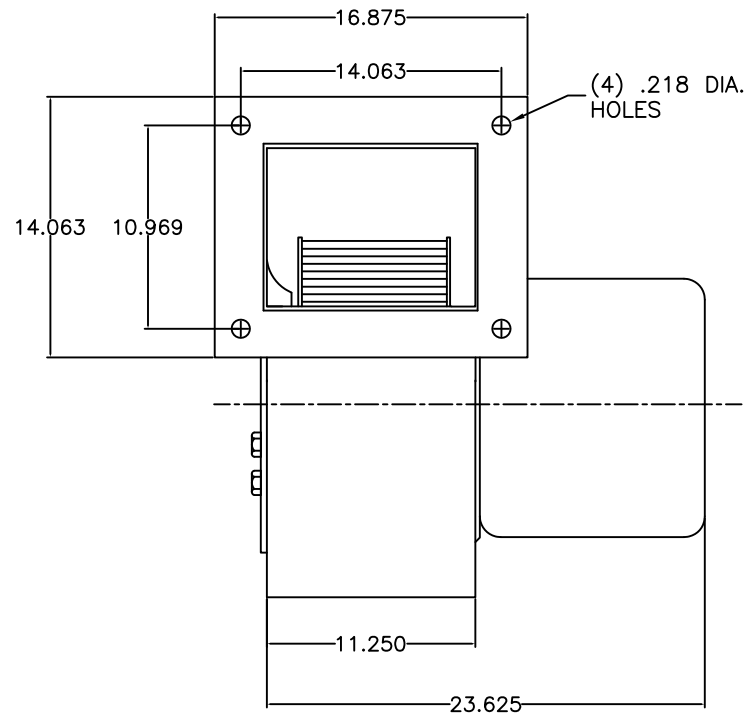
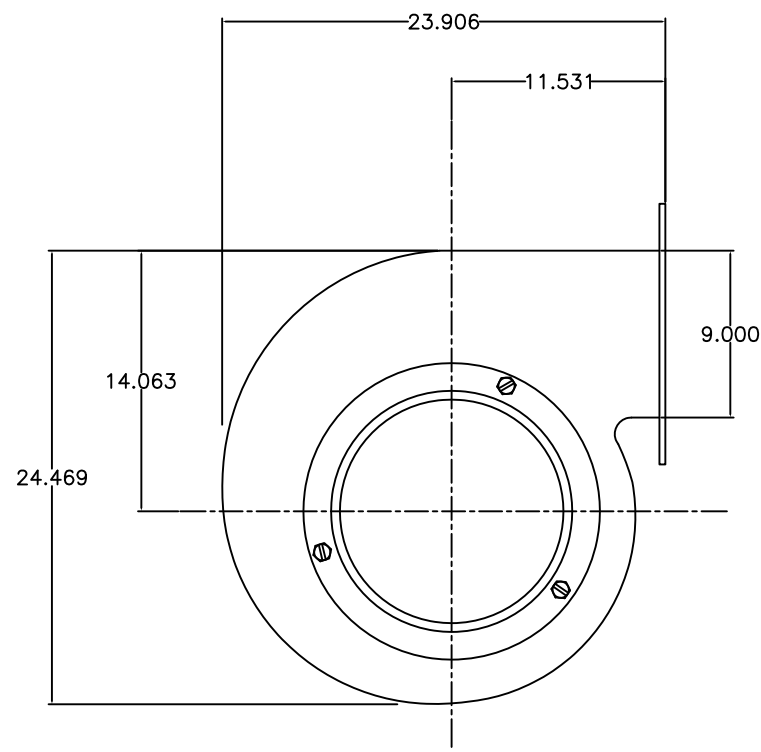



THIS DOCUMENT IS THE PROPERTY OF KOOLTRONIC, INC. AND CONTAINS PROPRIETARY AND CONFIDENTIAL INFORMATION WHICH MUST NOT BE DUPLICATED, USED OR DISCLOSED OTHER THAN AS EXPRESSLY AUTHORIZED BY KOOLTRONIC, INC.

REVISIONS				
SYM	NOTICE	DESCRIPTION	DATE	APPROVED
-	EC 04/129	NEW DRAWING RELEASE	8/5/04	SDS



UNLESS OTHERWISE SPECIFIED TOLERANCES NON-ACCUMULATIVE				DRAWN STEVE SCHMIERER	DATE 8/5/04	 HOPEWELL, NJ VENTURA, CA USA
TOL. ON	INCHES	MM	CHECKED		TITLE	
.XX	± .02	±	ENG.		GENERAL ARRANGEMENT KBB30 SINGLE BLOWER	
.XXX	± .010	±	MFG. ENG.			
ANGULAR	± 1/2°					
MATERIAL						CODE IDENT. NO. SIZE DWG. NO. REV
UNIT	KBB30		APPROVED			06223 C GA00393A -
						SCALE NTS CAD. REF. GA00393A SHEET 1 OF 1