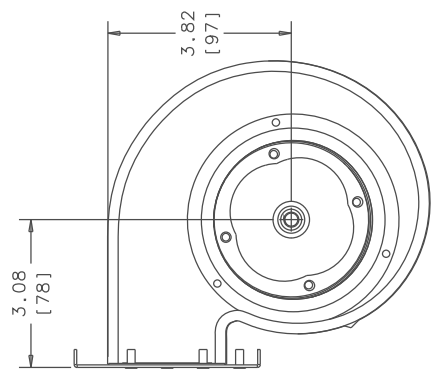
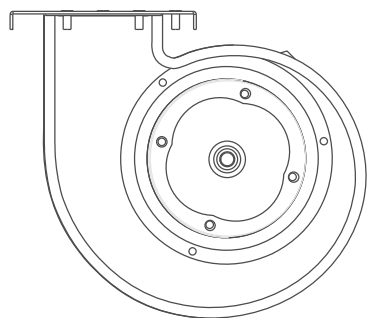
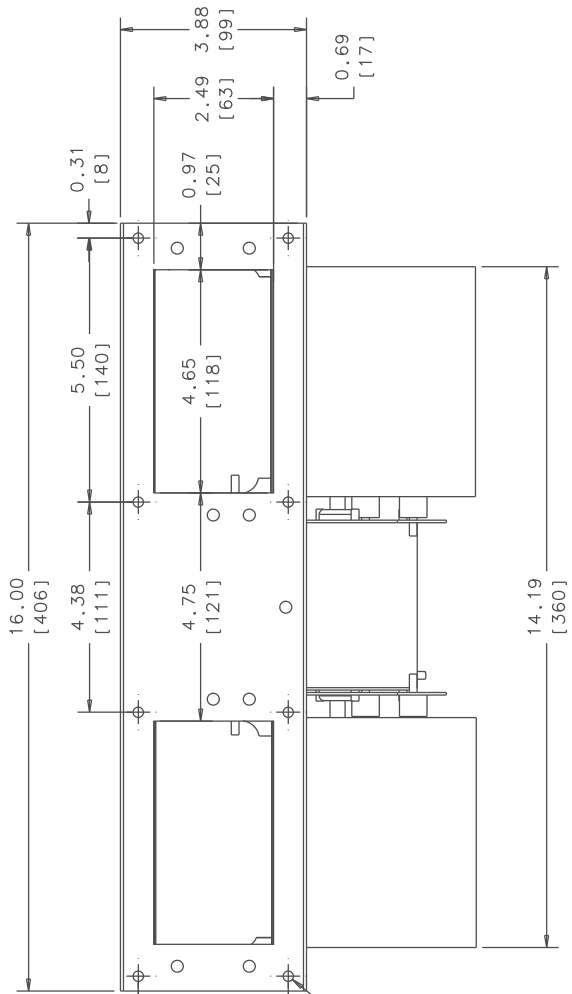
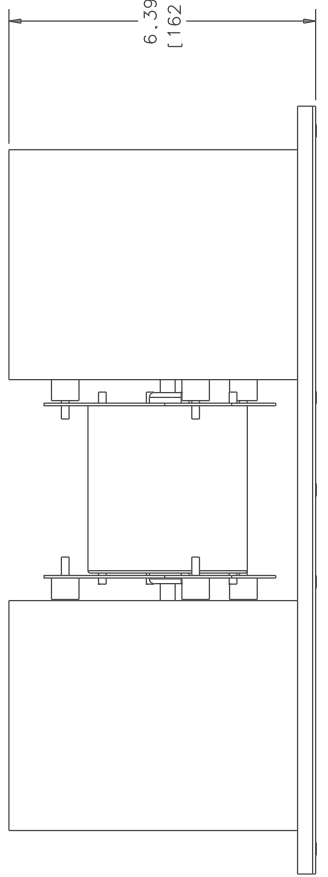
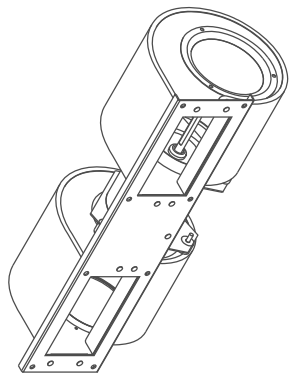


THIS DOCUMENT IS THE PROPERTY OF KOOLTRONIC, INC. AND CONTAINS PROPRIETARY AND CONFIDENTIAL INFORMATION WHICH MUST NOT BE DUPLICATED, USED OR DISCLOSED TO OTHERS, EXCEPT AS EXPRESSLY AUTHORIZED IN WRITING BY KOOLTRONIC, INC.

REVISIONS		DATE	APPROVED
SWH	NOTICE		
-	EC 04/129	8/17/04	SDS
A	EC 16/332	6/10/16	J.S
DESCRIPTION			
NEW DRAWING RELEASE			
UPDATED DRAWING			



DIMENSIONS ARE IN INCHES UNLESS OTHERWISE SPECIFIED DIMENSIONS ARE IN MILLIMETERS		DATE
UNLESS OTHERWISE SPECIFIED TOLERANCES NON-ACCUMULATIVE		STEVE SCHMIDER 8/17/04
TOL. ON	INCHES	MM
.xxx	: .02	: .50
.xxx	: .010	: .25
ANGULAR	: 1/2 °	
MATERIAL		
UNIT	KBB435	APPROVED
		Joe Milko
		6/13/16

KOOLTRONIC, INC.
PENNSYLVANIA, U.S.A.

GENERAL ARRANGEMENT
KBB435

CODE: INVT. NO. 06223
SIZE: ENG. NO. C GA00400A
SCALE: 1/50=1
SHEET 1 OF 1