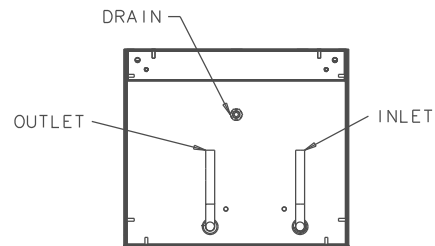
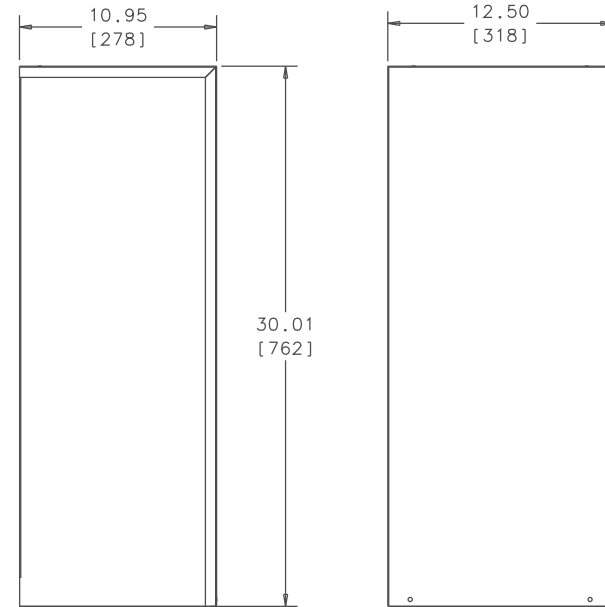
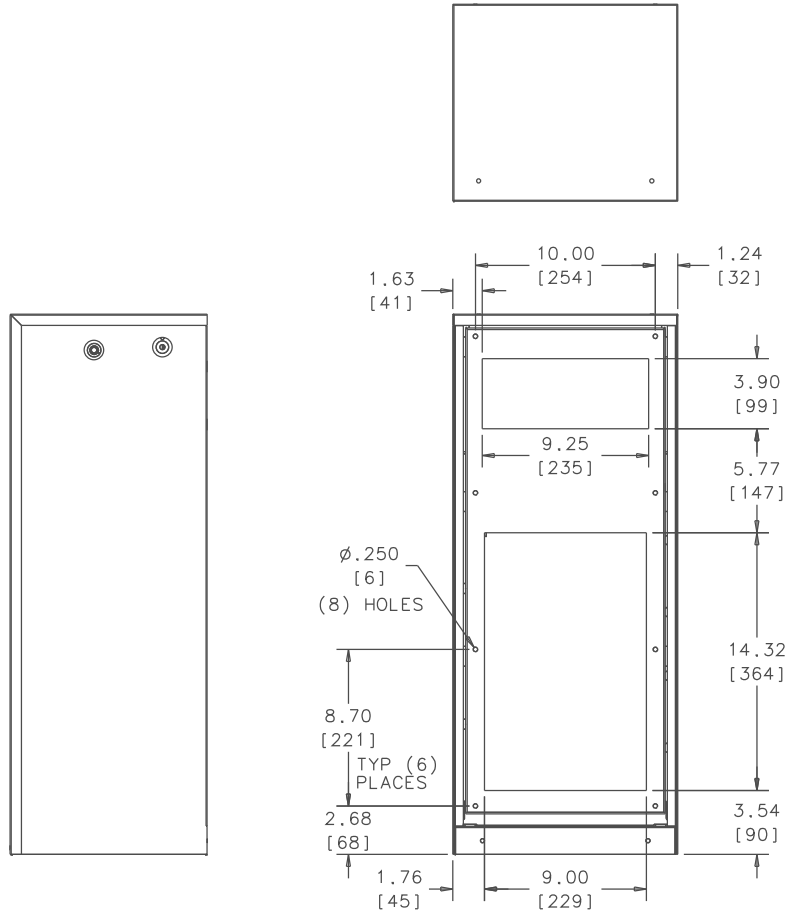


THIS DOCUMENT IS THE PROPERTY OF KOOLTRONIC, INC. AND CONTAINS PROPRIETARY AND CONFIDENTIAL INFORMATION WHICH MUST NOT BE DUPLICATED, USED OR DISCLOSED TO OTHERS, EXCEPT AS EXPRESSLY AUTHORIZED IN WRITING BY KOOLTRONIC, INC.

REVISIONS				
SYM	NOTICE	DESCRIPTION	DATE	APPROVED
-		NEW DRAWING RELEASE	2/11/05	SDS

A
B
C
D
E
F

A
B
C
D
E
F



UNLESS OTHERWISE SPECIFIED TOLERANCES NON-ACCUMULATIVE			DRAWN STEVE SCHMIERER		DATE 2/11/05	
TOL. ON	INCHES	MM	CHECKED			
.XX	± .02	±	ENG.			
.XXX	± .010	±	MFG. ENG.			
ANGULAR	± 1/2 °					
MATERIAL						
UNIT K_NHE30			APPROVED			
ALL DIMENSIONS ARE IN INCHES. DIMENSIONS DESIGNATED MM ARE IN MILLIMETERS.						
			HOPEWELL, NJ VENTURA, CA USA			
			TITLE GENERAL ARRANGEMENT K_NHE30			
CODE IDENT. NO. 06223		SIZE C	DWG. NO. GA00414A		REV -	
SCALE, 1875=1			CAD. REF.		SHEET 1	OF 1

1

2

3

4

5

6

7

8