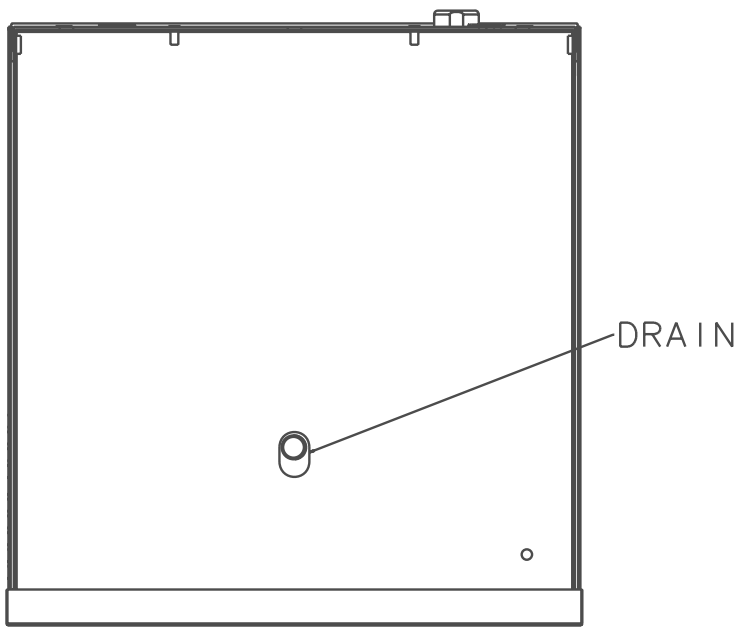
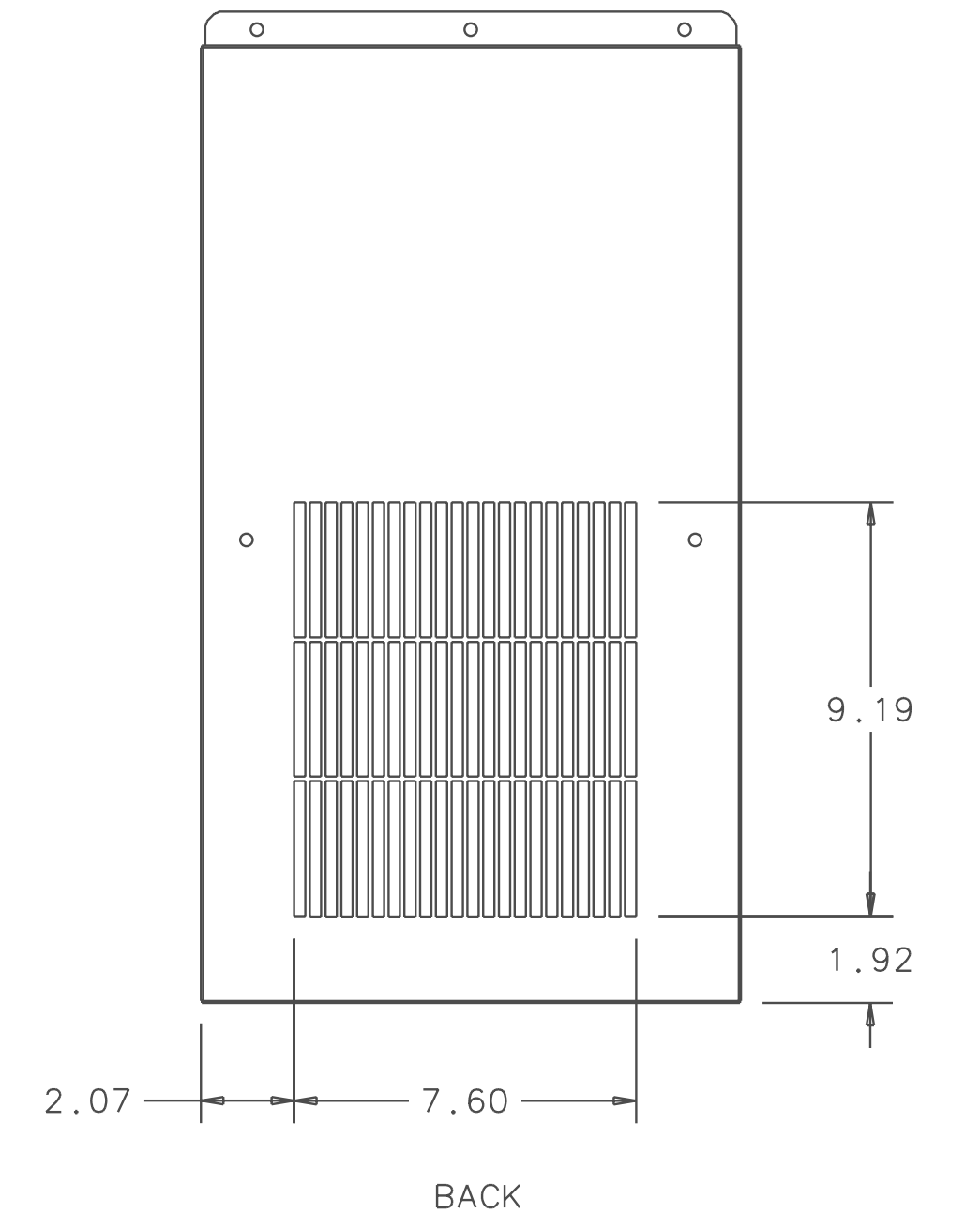
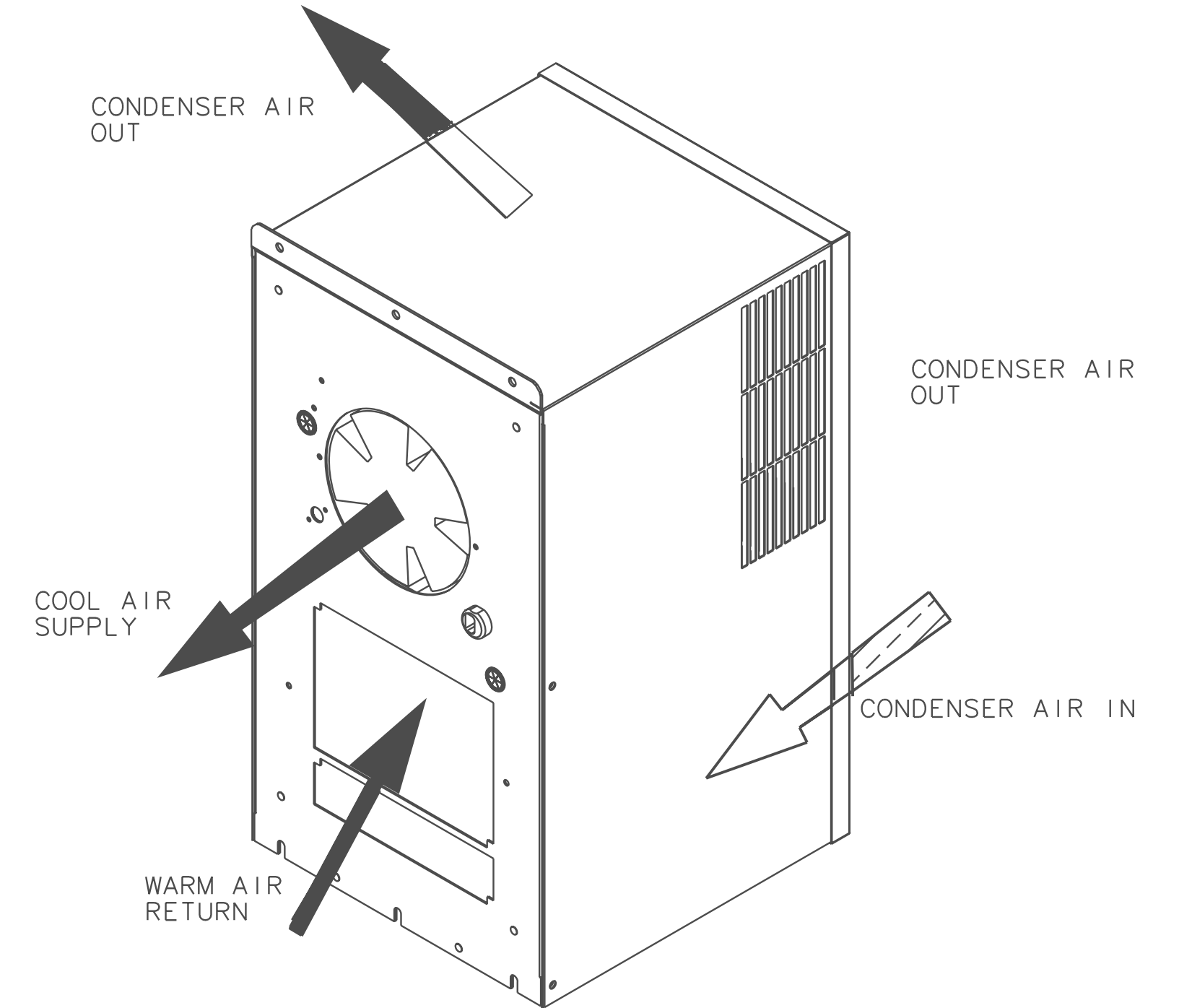
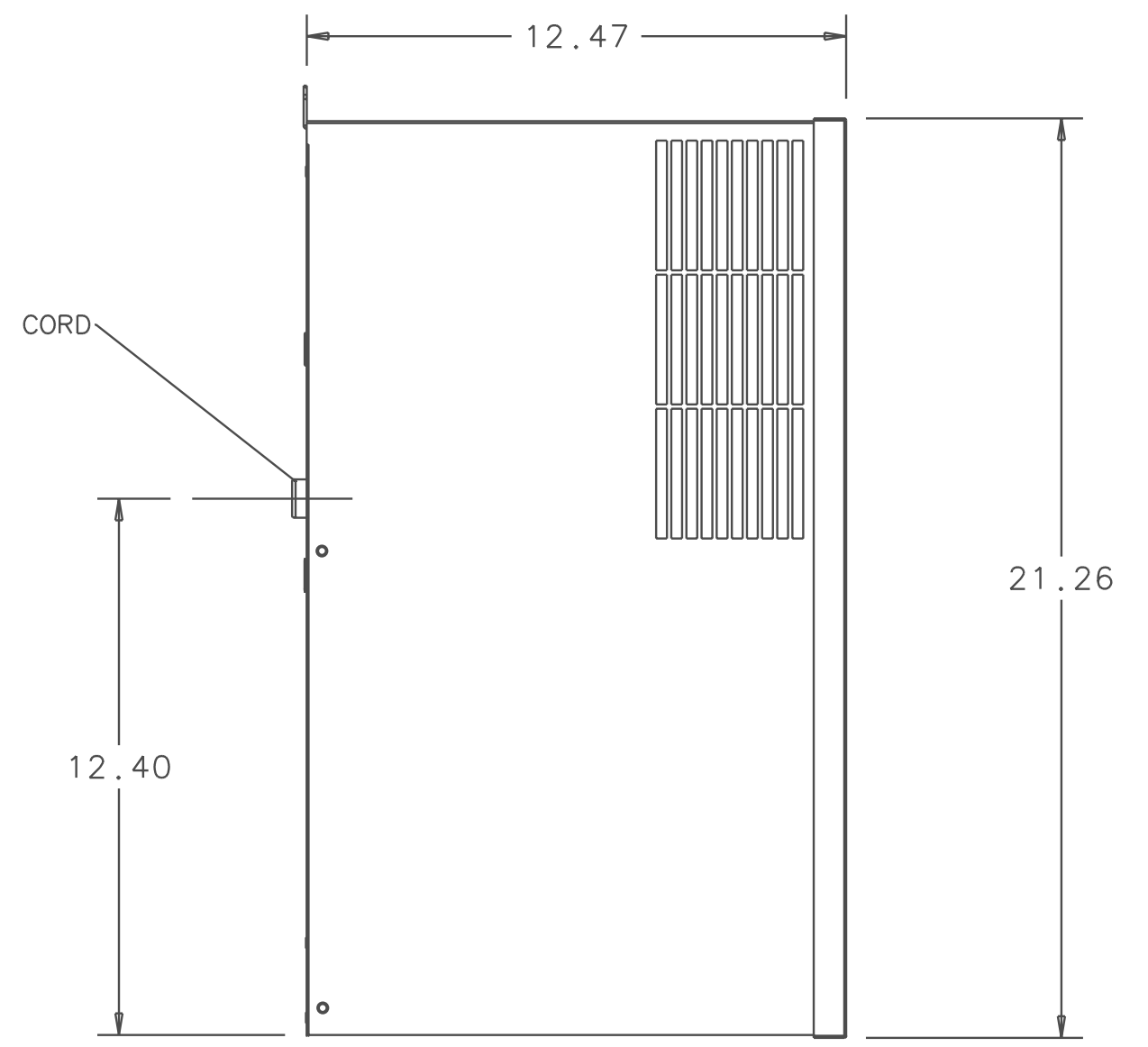
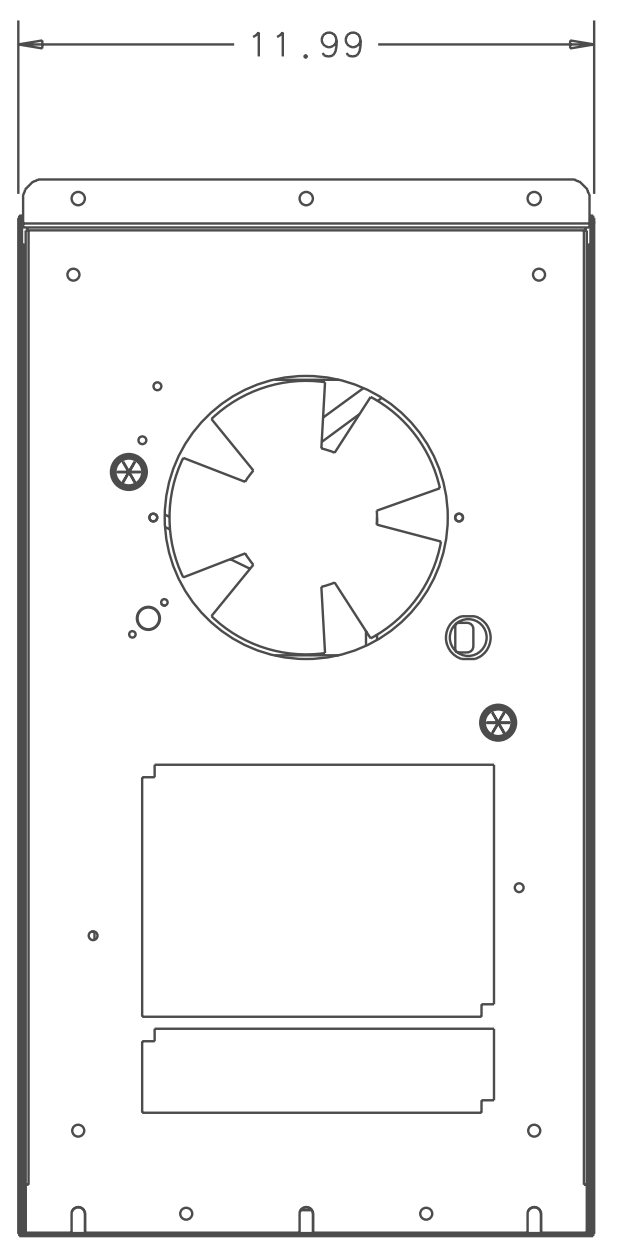
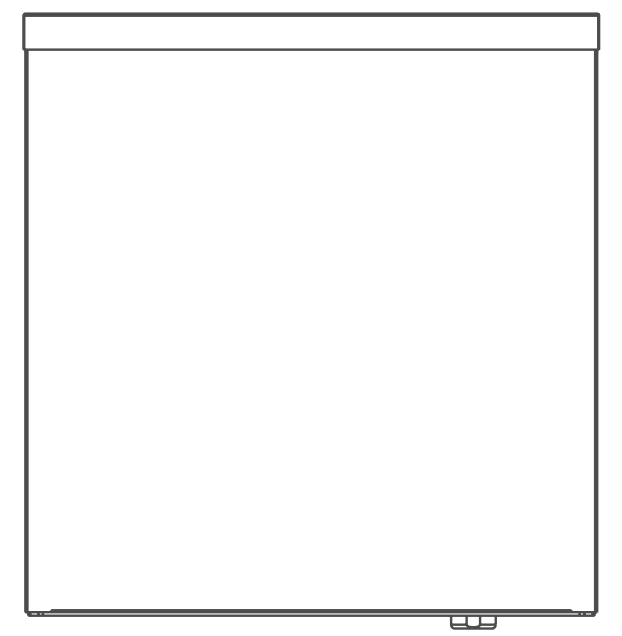
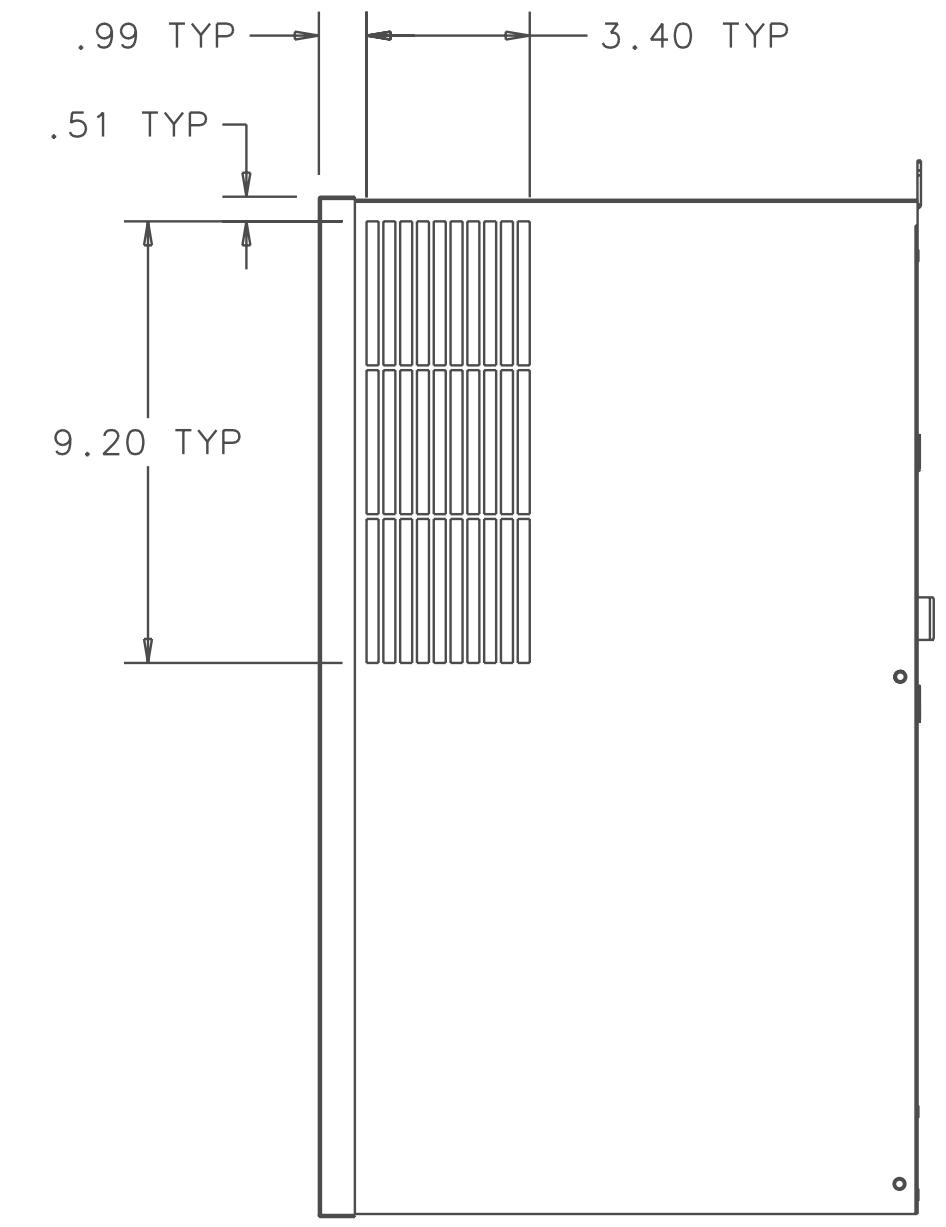
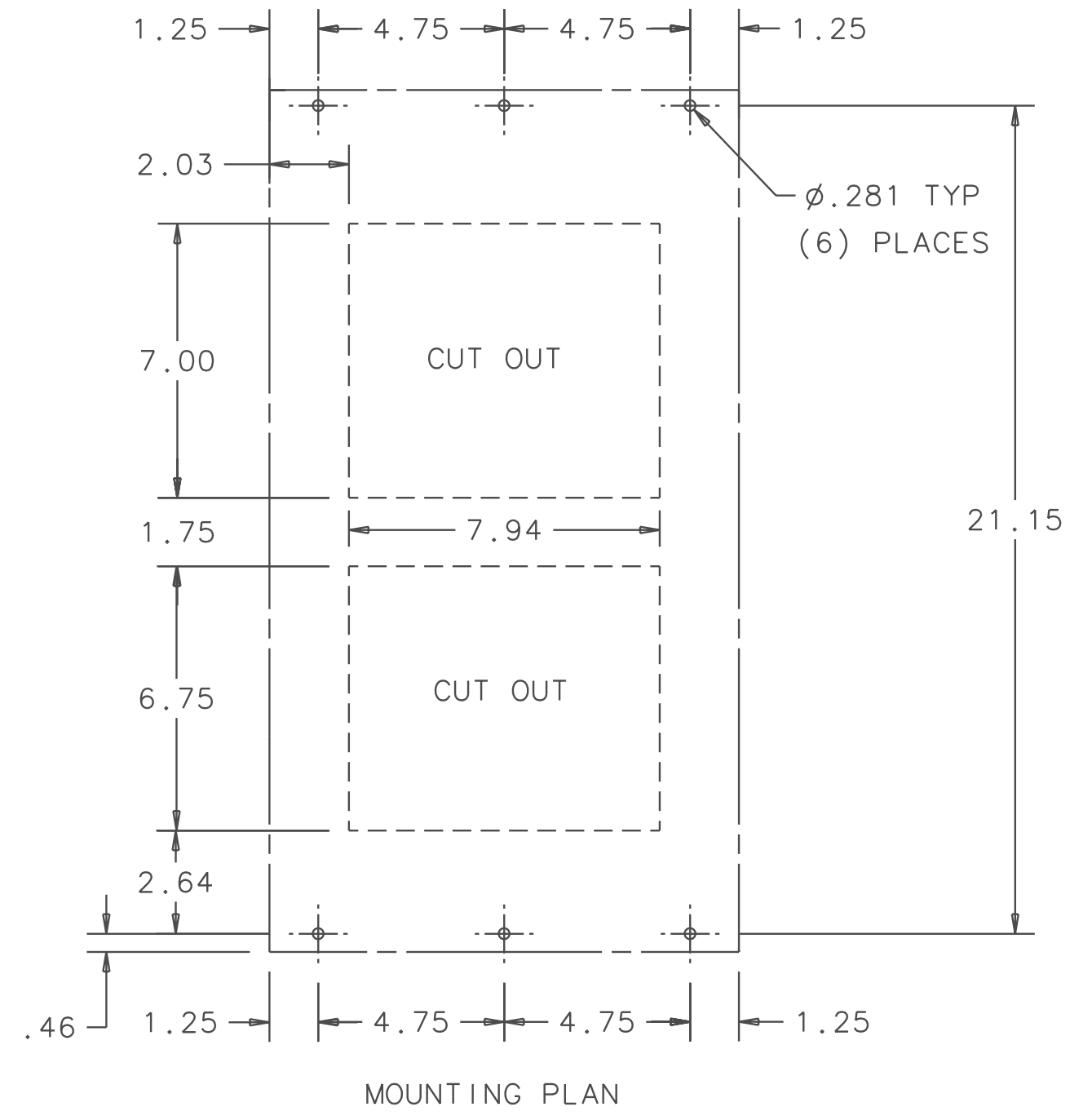


THIS DOCUMENT IS THE PROPERTY OF KOOLTRONIC, INC. AND CONTAINS PROPRIETARY AND CONFIDENTIAL INFORMATION WHICH MUST NOT BE DUPLICATED, USED OR DISCLOSED TO OTHERS, EXCEPT AS EXPRESSLY AUTHORIZED IN WRITING BY KOOLTRONIC, INC.

REVISIONS				
SYM	NOTICE	DESCRIPTION	DATE	APPROVED
-		NEW DRAWING RELEASE	7/22/05	RDM
A	EC 05/376	ADDED NOTE FOR SH1011 TO SHIP WITH 900-039-46 INSERT	9/30/05	SDS
B	EC 07/167	PICTORIAL UPDATE & REVISED DIMENSIONS.	4/13/07	DW-



P/N SH1011
TO BE SHIPPED WITH 900-039-46 INSERT

ALL DIMENSIONS ARE IN INCHES. DIMENSIONS DESIGNATED MM ARE IN MILLIMETERS.		DRAWN R. D. MOORE		DATE 7/22/05	 PENNINGTON, NJ USA
TOLERANCES NON-ACCUMULATIVE		CHECKED			
TOL. ON	INCHES	MM	ENG.	DATE	TITLE
.XX	± .02	±	BM	7/25/05	GENERAL ARRANGEMENT NEMA P21R-2
.XXX	± .010	±	MFG. ENG.		
ANGULAR	± 1/2 °				
MATERIAL			APPROVED	DATE	CODE IDENT. NO.
UNIT K_NA4C3P21R-2			B KREELEY	7/25/05	06223
			SCALE	CAD. REF.	DWG. NO.
			.25=1		GA00421A
					REV
					B
					SHEET 1 OF 1