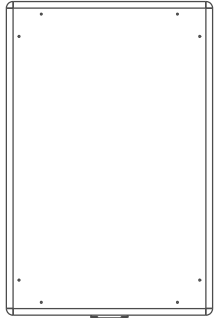


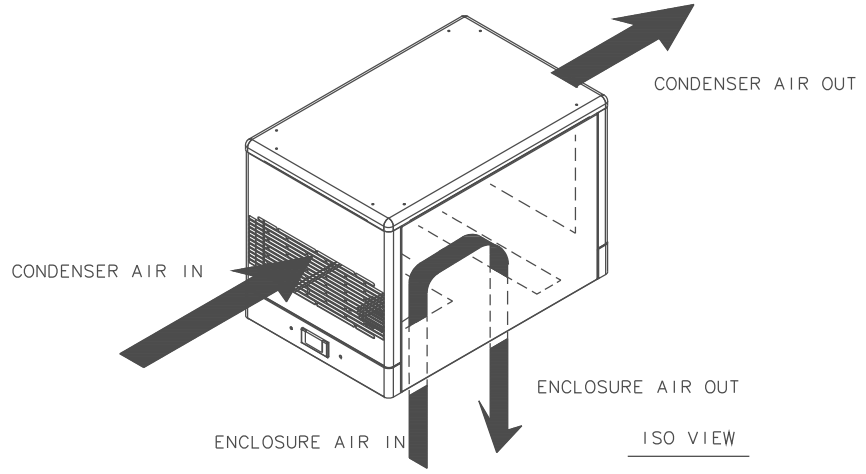
THIS DOCUMENT IS THE PROPERTY OF KOOLTRONIC, INC. AND CONTAINS PROPRIETARY AND CONFIDENTIAL INFORMATION WHICH MUST NOT BE DUPLICATED, USED OR DISCLOSED TO OTHERS, EXCEPT AS EXPRESSLY AUTHORIZED IN WRITING BY KOOLTRONIC, INC.

C	EC 10/302	PICTORIAL UPDATE-GRILLE PATTERN.	6/15/10	MEM/
D	EC 10/446	ADDED CORRECT OVERALL DIMS.	9/9/10	JS
E	EC 21/254	ADDED DIGITAL THERMOSTAT	6/17/21	JS/SDS

REVISIONS				
SYM	NOTICE	DESCRIPTION	DATE	APPROVED
-	ER 06/171	NEW DRAWING RELEASE.	6/26/06	DW-
A	EC 07/135	PICTORIAL UPDATE.	4/2/07	DW-
B	EC 08/852	PICTORIAL UPDATE.	10/6/08	DW-



TOP VIEW



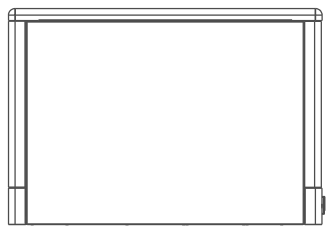
CONDENSER AIR OUT

CONDENSER AIR IN

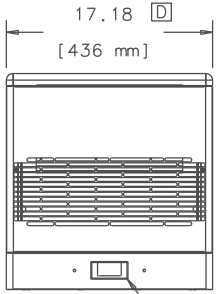
ENCLOSURE AIR OUT

ENCLOSURE AIR IN

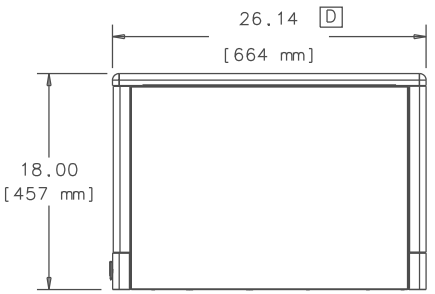
ISO VIEW



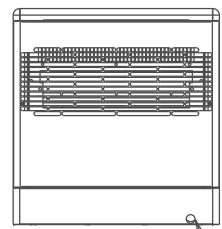
LEFT SIDE



FRONT VIEW

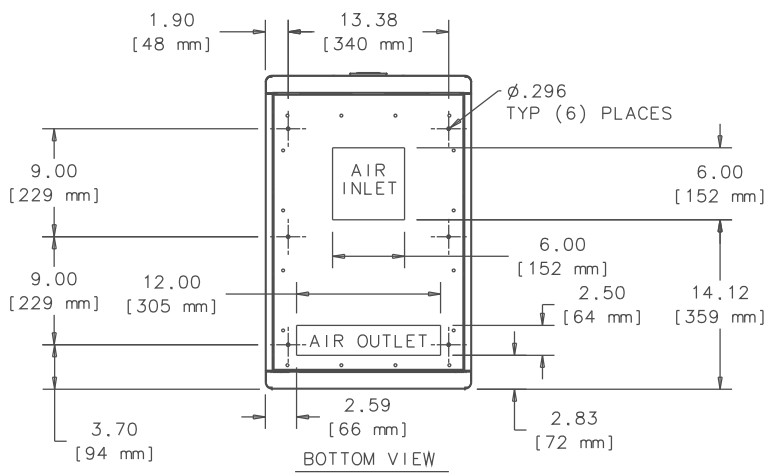


RIGHT SIDE



BACK VIEW

DRAIN



BOTTOM VIEW

ALL DIMENSIONS ARE IN INCHES. DIMENSIONS DESIGNATED MM ARE IN MILLIMETERS.				DATE
UNLESS OTHERWISE SPECIFIED TOLERANCES NON-ACCUMULATIVE				6/16/06
TOL. ON	INCHES	MM	DRAWN	D. WALDRON
.XX	± .02	±	CHECKED	STEVE SCHMIERER
.XXX	± .010	±	ENG.	R. Kaufman
ANGULAR	± 1/2 °		MFG. ENG.	6/28/06
MATERIAL				
UNIT	K__C_RTR		APPROVED	B KREELEY

PENNINGTON, NJ USA

TITLE: ADVANTAGE TOP MOUNT GENERAL ARRANGEMENT

CODE IDENT. NO.	SIZE	DRG. NO.	REV
06223	C	GA00425A	E

SCALE: 1.25" = 1" CAD. REF. SHEET 1 OF 1