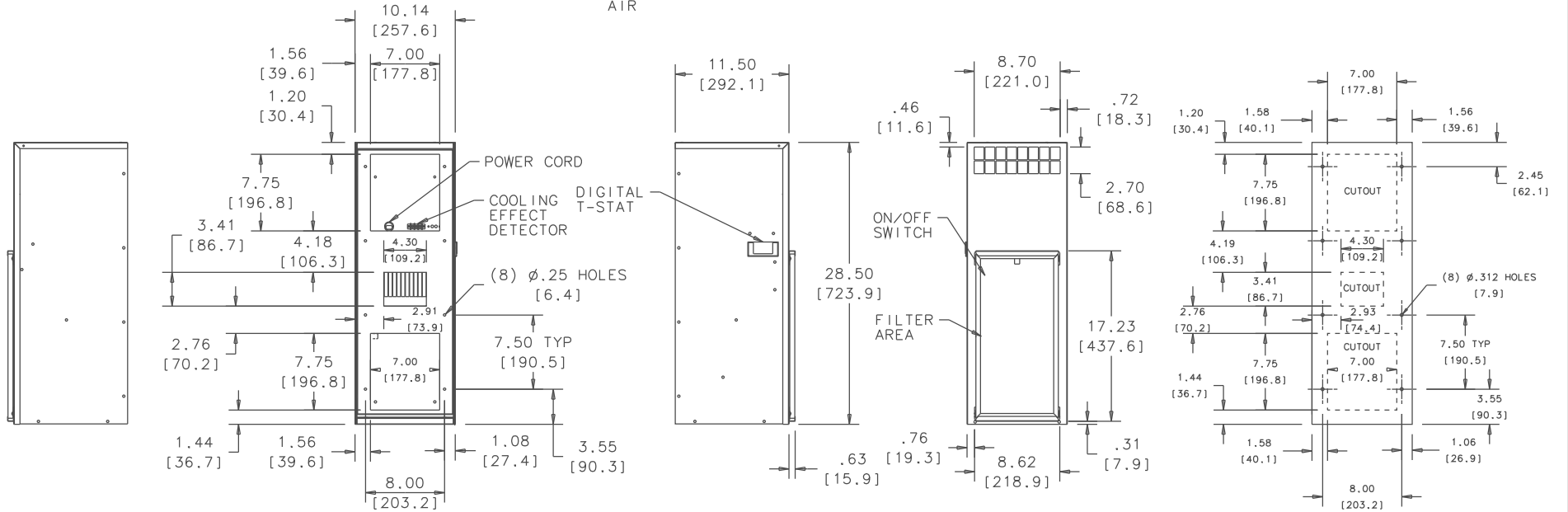
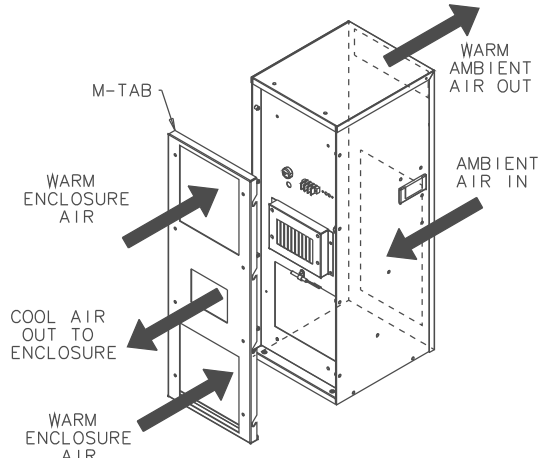


THIS DOCUMENT IS THE PROPERTY OF KOOLTRONIC, INC. AND CONTAINS PROPRIETARY AND CONFIDENTIAL INFORMATION WHICH MUST NOT BE DUPLICATED, USED OR DISCLOSED TO OTHERS, EXCEPT AS EXPRESSLY AUTHORIZED IN WRITING BY KOOLTRONIC, INC.

REVISIONS				
SYM	NOTICE	DESCRIPTION	DATE	APPROVED
-	ER 17/003	NEW DRAWING RELEASE.	3/30/17	DW-SDS
A	EC 18/049	UPDATED DRAWING TO SHOW M-TAB IN ISO VIEW	1/25/18	SDS/MEM



MOUNTING PLAN

ALL DIMENSIONS ARE IN INCHES. DIMENSIONS DESIGNATED MM ARE IN MILLIMETERS.			DRAWN D. WALDRON		DATE 3/30/17	
UNLESS OTHERWISE SPECIFIED TOLERANCES NON-ACCUMULATIVE			CHECKED Steve Schmierer		4/6/17	
TOL. ON	INCHES	MM	ENG.			TITLE GENERAL ARRANGEMENT KA6C4NP28L
.XX	± .02	±	MFG. ENG.			
.XXX	± .010	±	MFG. ENG.		4/6/17	
ANGULAR	± 1/2°					
MATERIAL	SEE BOM		APPROVED Joe M/Bruce K		9/20/17	CODE IDENT. NO. 06223
UNIT	KA6C4NP28L		SCALE .125"=1"		CAD. REF.	DWG. NO. GA00436A
						REV A
						SHEET 1 OF 1