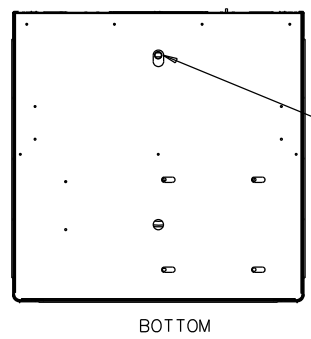
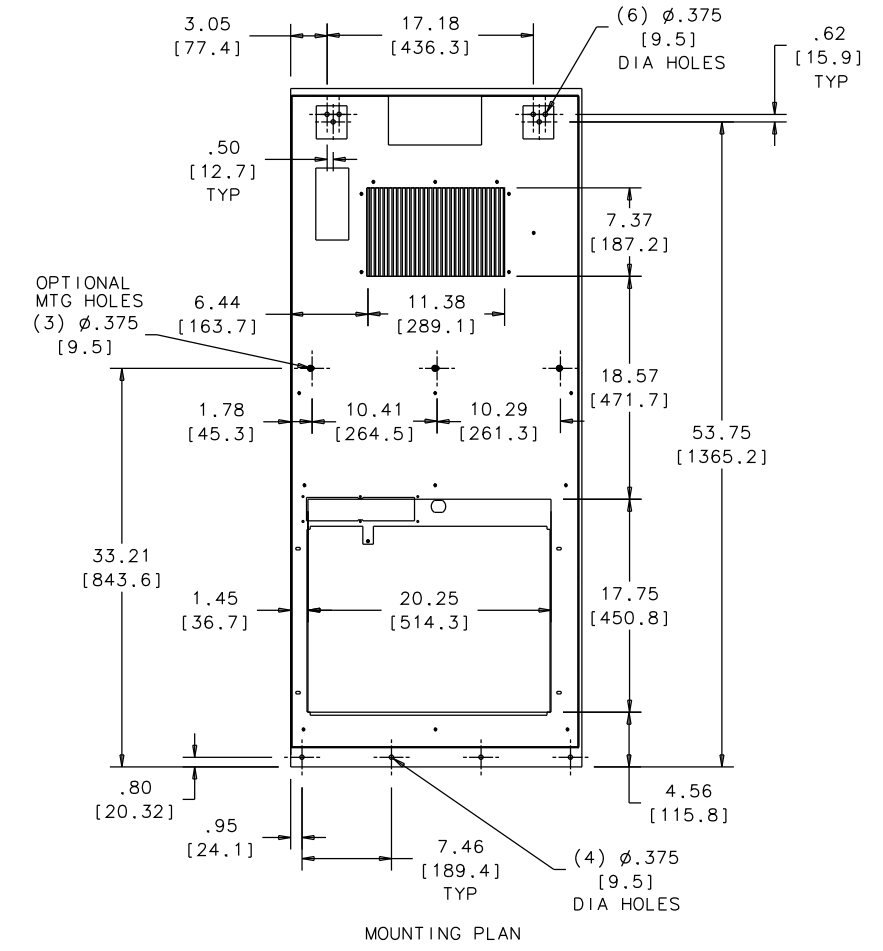
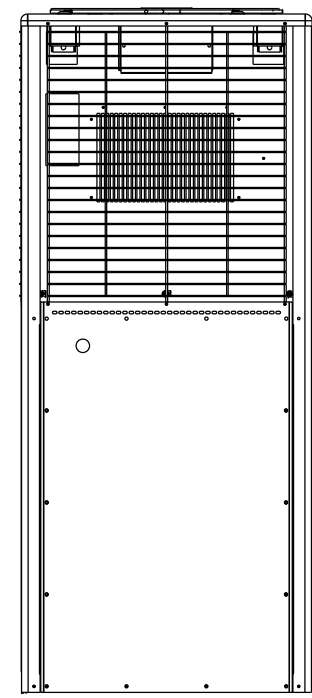
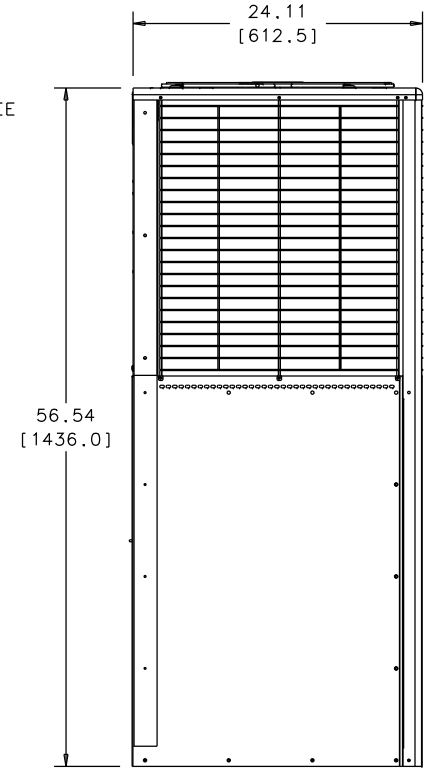
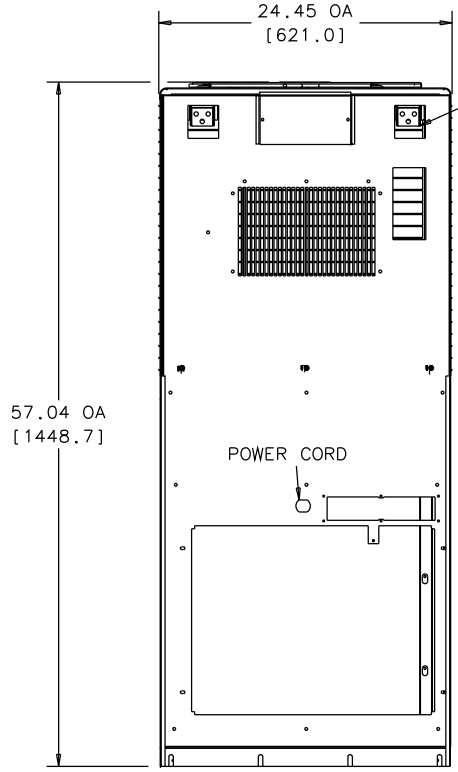
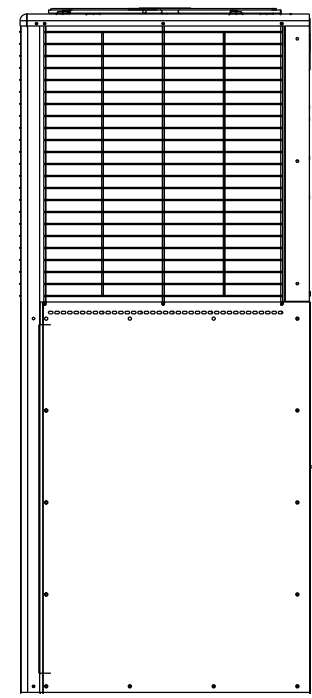
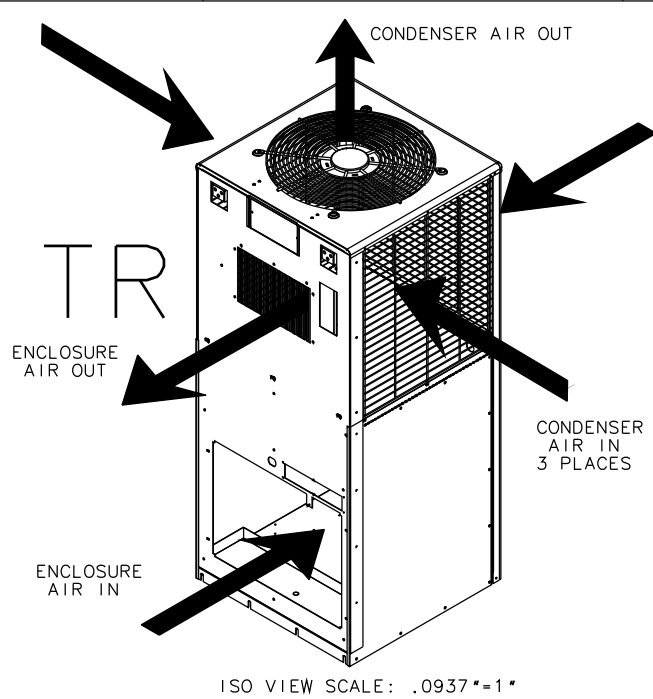
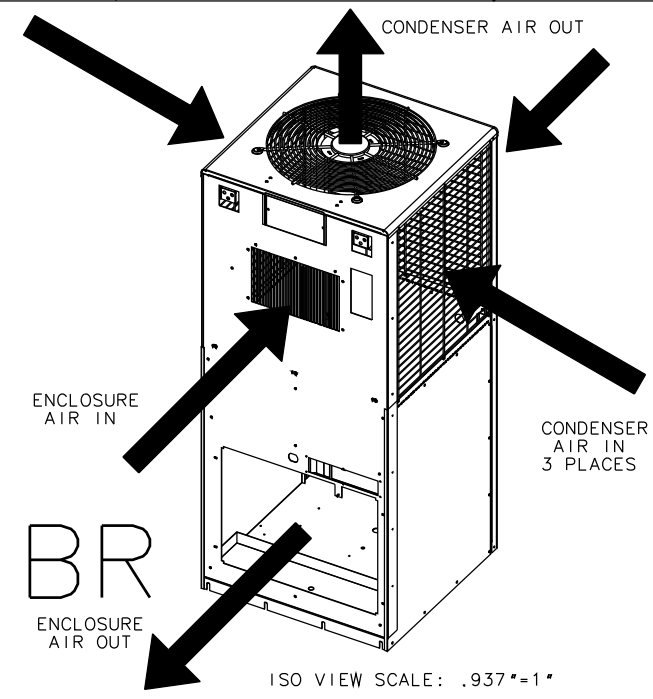
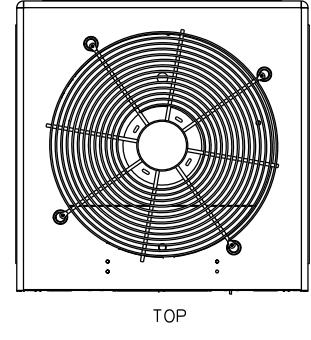


THIS DOCUMENT IS THE PROPERTY OF KOOLTRONIC, INC. AND CONTAINS PROPRIETARY AND CONFIDENTIAL INFORMATION WHICH MUST NOT BE DUPLICATED, USED OR DISCLOSED TO OTHERS, EXCEPT AS EXPRESSLY AUTHORIZED IN WRITING BY KOOLTRONIC, INC.

REVISIONS				
SYM	NOTICE	DESCRIPTION	DATE	APPROVED
-	EC 21/033	NEW DRAWING RELEASE	7/30/21	CM/SDS



NOTE:
1) HOOKS SHOWN ARE MOUNTED ON CUSTOMER ENCLOSURE.

ALL DIMENSIONS ARE IN INCHES. DIMENSIONS DESIGNATED MM ARE IN MILLIMETERS.				 HOPEWELL, NJ VENTURA, CA USA	
UNLESS OTHERWISE SPECIFIED TOLERANCES NON-ACCUMULATIVE		DRAWN	DATE		
TOL. ON	INCHES	CESAR MENDEZ	7/30/21	TITLE GENERAL ARRANGEMENT	
.xx	± .02	CHECKED	7/16/21		
.xxx	± .010	Steve Schmierer	7/17/21		
ANGULAR	± 1/2 °	ENG.		CODE IDENT. NO. SIZE DWG. NO. REV 06223 D GA00438A - SCALE: 1:25=1 CAD. REF. SHEET 1 OF 1	
MATERIAL		SEPEHR SOBELI	7/17/21		
UNIT		MFG. ENG.			
K2A6C30EP56TR-BR		APPROVED	7/17/21		
		BKkreeley			