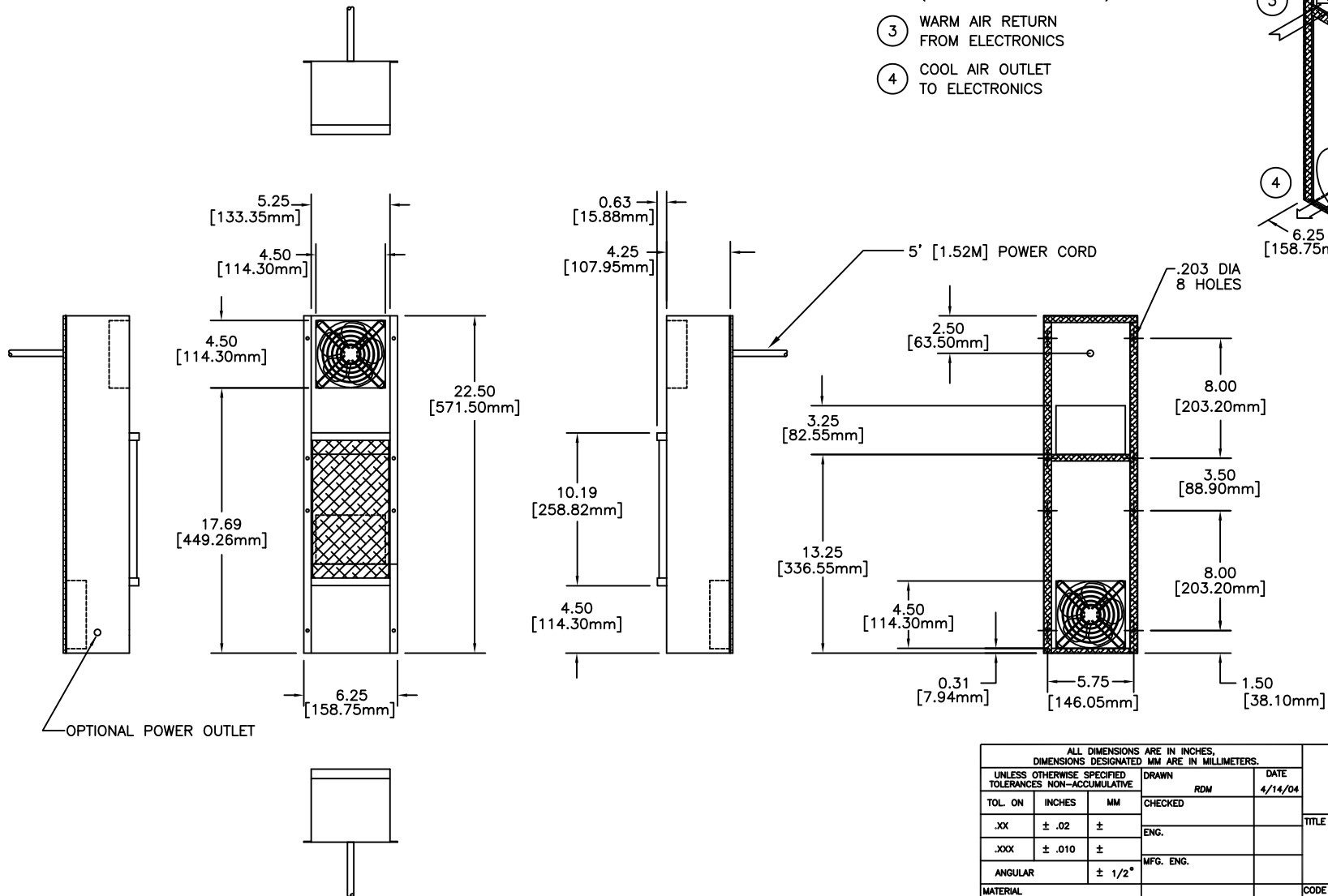
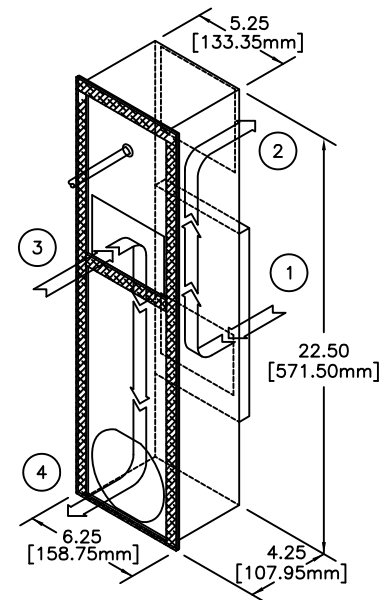


THIS DOCUMENT IS THE PROPERTY OF KOOLTRONIC, INC. AND CONTAINS PROPRIETARY AND CONFIDENTIAL INFORMATION WHICH MUST NOT BE DUPLICATED, USED OR DISCLOSED OTHER THAN AS EXPRESSLY AUTHORIZED BY KOOLTRONIC, INC.

SYMBOL		NOTICE		REVISIONS		DATE	APPROVED
SYM		NOTICE		DESCRIPTION		DATE	APPROVED
-		EC 04/129		NEW DRAWING. RELEASE		4/14/04	RDM

- ① CONDENSER INLET (AMBIENT AIR IN)
- ② CONDENSER OUTLET (WARM AMBIENT AIR OUT)
- ③ WARM AIR RETURN FROM ELECTRONICS
- ④ COOL AIR OUTLET TO ELECTRONICS



UNLESS OTHERWISE SPECIFIED TOLERANCES NON-ACCUMULATIVE				DRAWN	DATE
TOL. ON	INCHES	MM	CHECKED	RDM	4/14/04
.XX	± .02	±	ENG.		
.XXX	± .010	±	MFG. ENG.		
ANGULAR	± 1/2°				
MATERIAL			APPROVED		
UNIT	KXHE60A				

KOOLTRONIC, INC.
HOPEWELL, NJ VENTURA, CA USA

TITLE
**GENERAL ARRANGEMENT
KXHE60A**

CODE IDENT. NO.	SIZE	DWG. NO.	REV
06223	C	GA19700A	-
SCALE 3/16=1	CAD. REF.	GA19700A	SHEET 1 OF 1