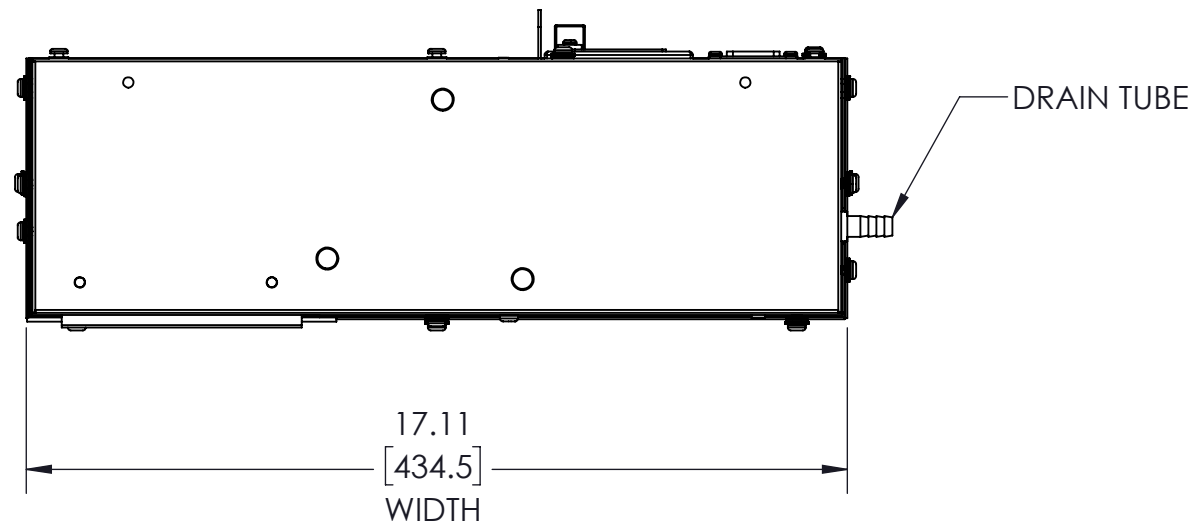
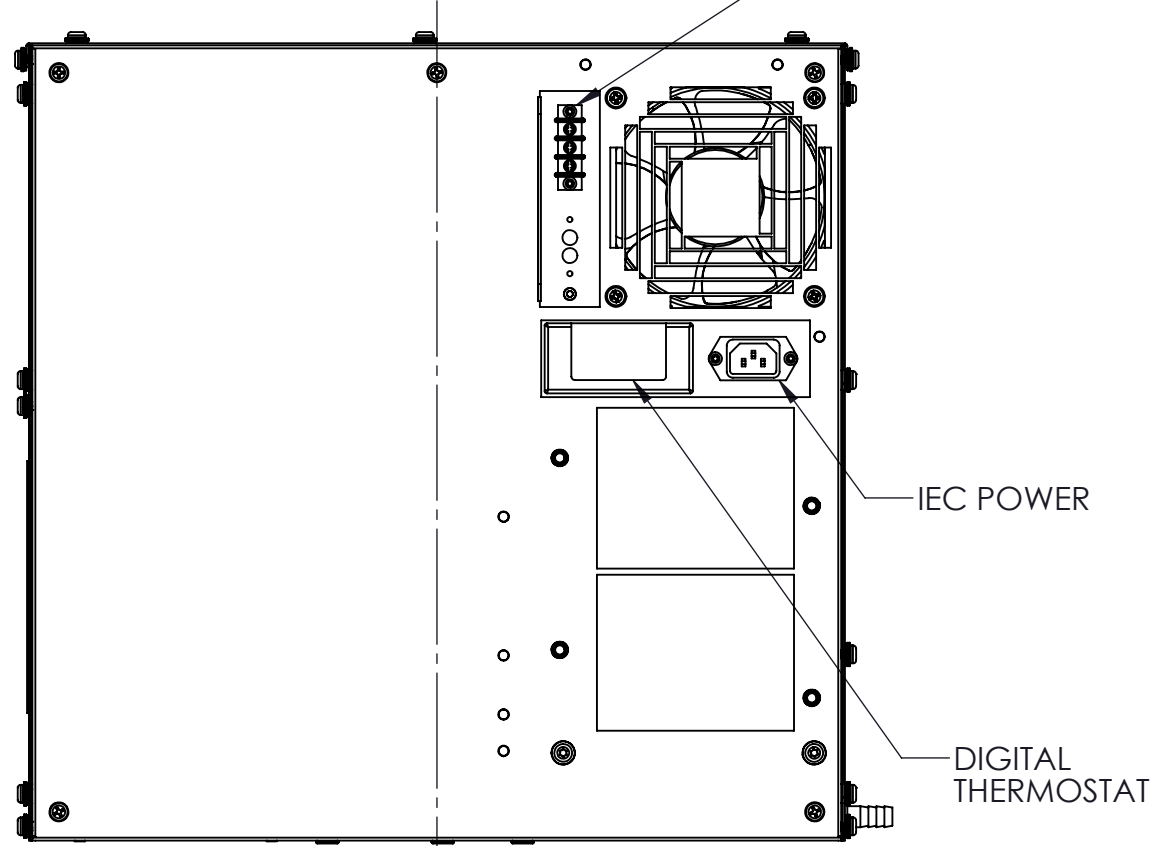
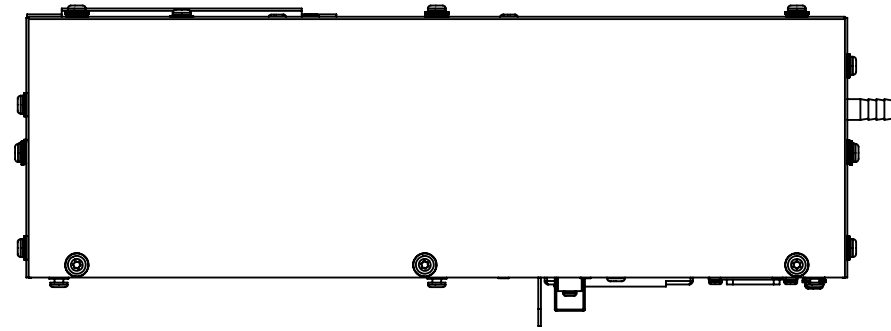
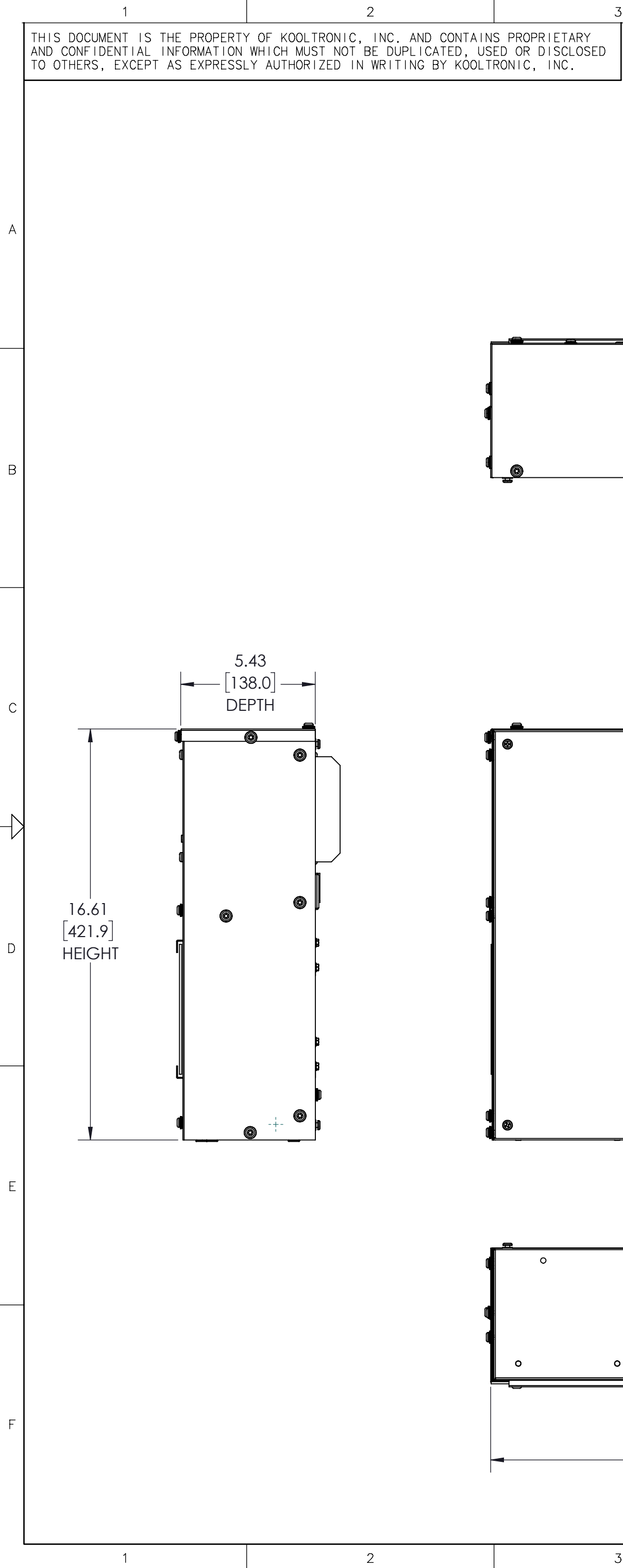


THIS DOCUMENT IS THE PROPERTY OF KOOLTRONIC, INC. AND CONTAINS PROPRIETARY AND CONFIDENTIAL INFORMATION WHICH MUST NOT BE DUPLICATED, USED OR DISCLOSED TO OTHERS, EXCEPT AS EXPRESSLY AUTHORIZED IN WRITING BY KOOLTRONIC, INC.

REVISIONS				
SYM	NOTICE	DESCRIPTION	DATE	APPROVED
-	ER 21/003	NEW DRAWING RELEASE, UPDATED 3/13/23	12/12/22	DW-SDS
A	EC 24/118	NEMA 4/4X UPDATE, ADDED CENTER REVNUT & REMOVED MOUNTING BRACKET	6/27/2024	VB/BR

A
B
C
D
E
F



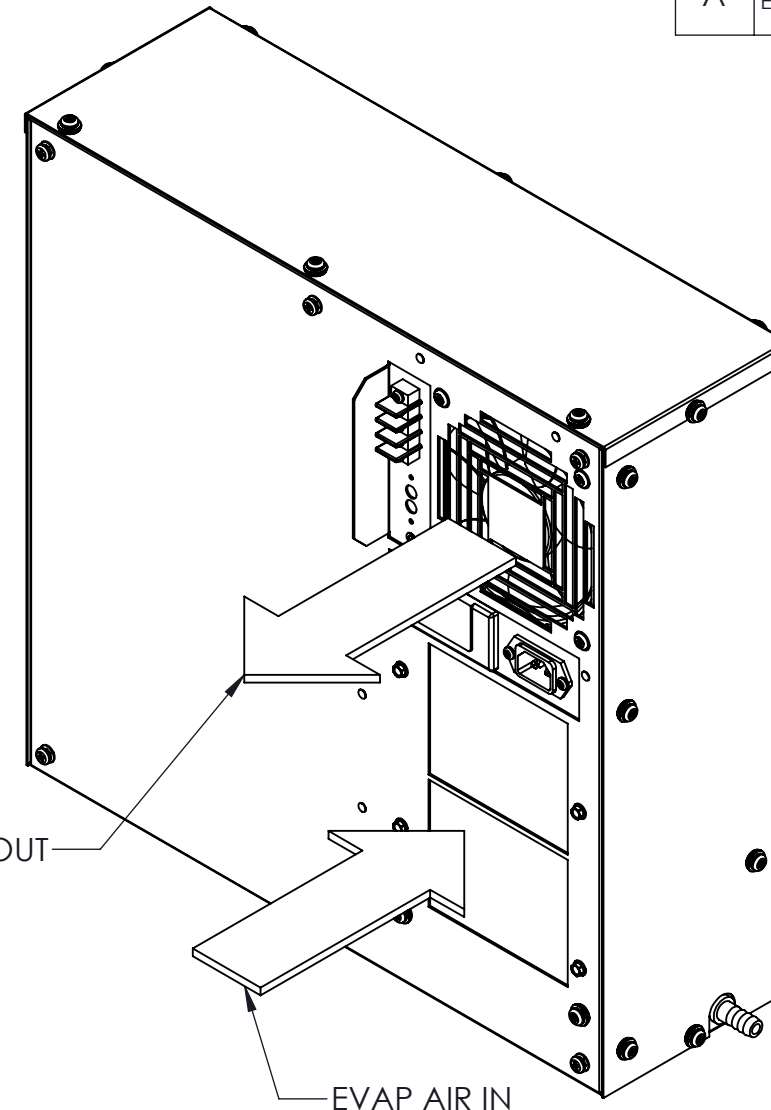
EVAP AIR OUT

HIGH TEMP ALARM

IEC POWER

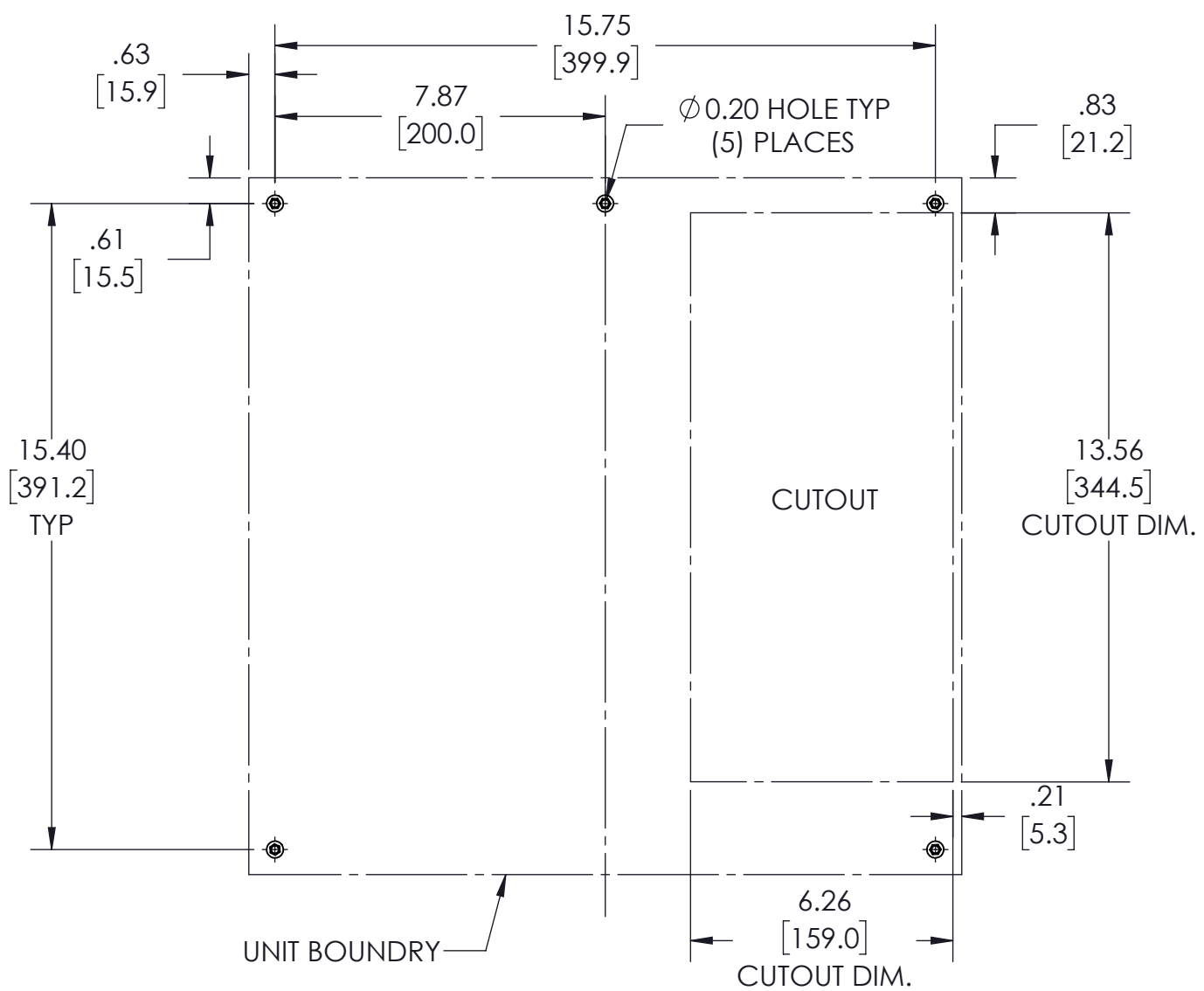
DIGITAL THERMOSTAT

DRAIN TUBE




COND AIR OUT

COND AIR IN



UNIT BOUNDRY

ALL DIMENSIONS ARE IN INCHES, DIMENSIONS DESIGNATED MM ARE IN MILLIMETERS.			 PENNINGTON, NJ USA	
UNLESS OTHERWISE SPECIFIED TOLERANCES NON-ACCUMULATIVE			DRAWN: D.WALDRON DATE: 12/12/22	TITLE: GENERAL ARRANGEMENT KA4C1DSP17L
TOL. ON	INCHES	MM	CHECKED: Steve Schmierer DATE: 1/24/23	
.XX	± .02	±	ENG.: S.SABETI DATE: 1/25/23	
.XXX	± .010	±	MFG. ENG.	
ANGULAR		± 1/2°		
MATERIAL	SEE BOM		CODE IDENT. NO.: 06223 SIZE: C	DWG. NO.: GA201917-1A REV: A
UNIT	KA4C1DSP17L		APPROVED: BKkreeley DATE: 3/17/23	SCALE: 4:1 CAD. REF.

SCALE: 4:1	SHEET 1 OF 1
------------	--------------

1 2 3 4 5 6 7 8