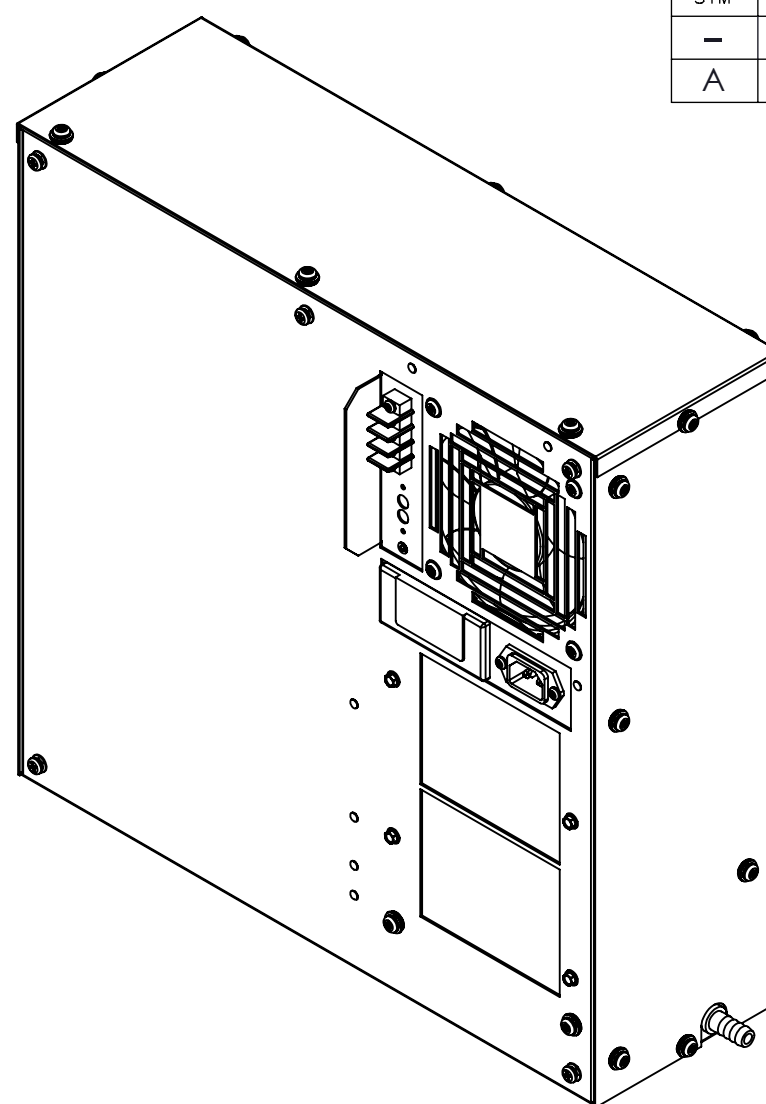
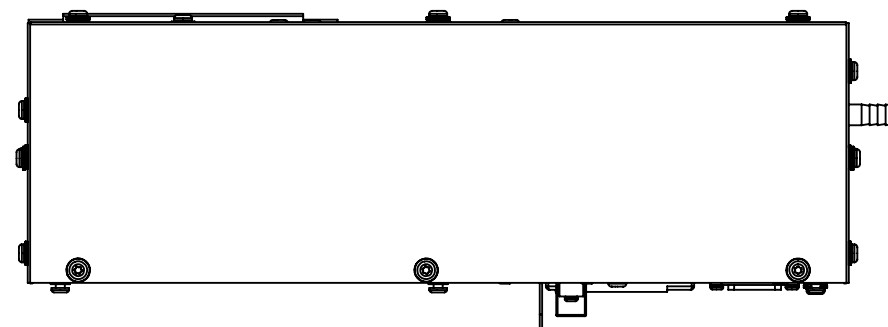
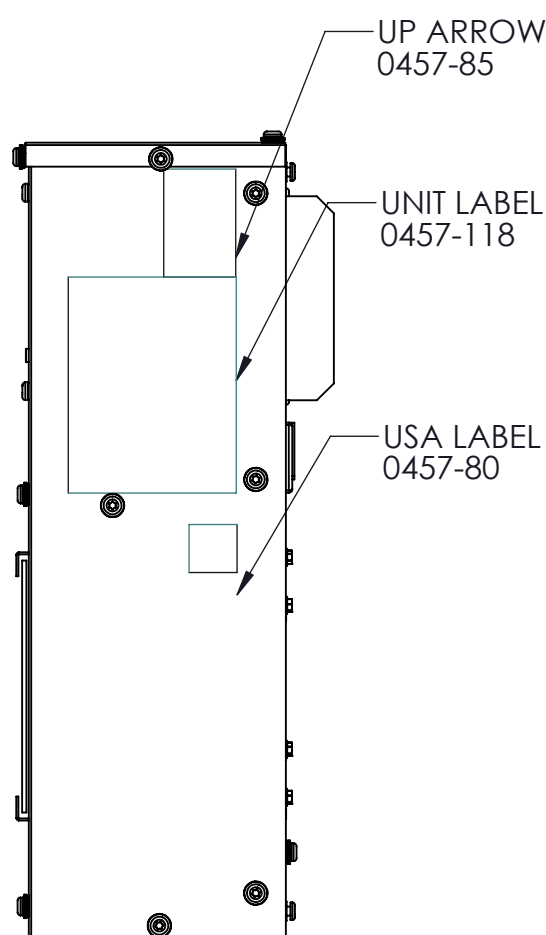


THIS DOCUMENT IS THE PROPERTY OF KOOLTRONIC, INC. AND CONTAINS PROPRIETARY AND CONFIDENTIAL INFORMATION WHICH MUST NOT BE DUPLICATED, USED OR DISCLOSED TO OTHERS, EXCEPT AS EXPRESSLY AUTHORIZED IN WRITING BY KOOLTRONIC, INC.

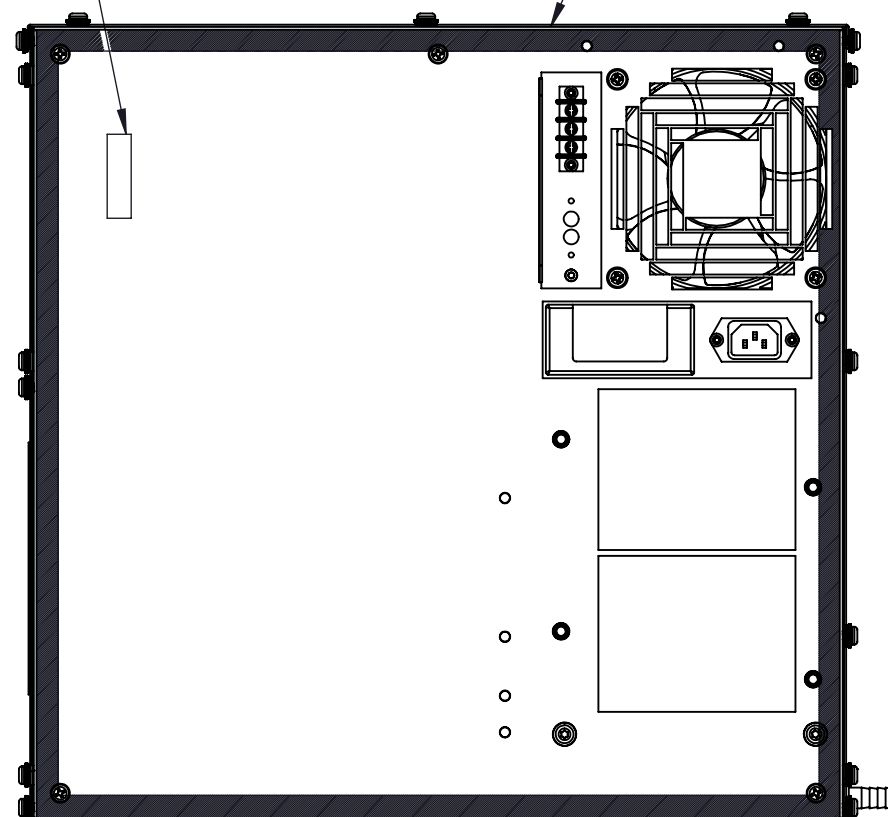
REVISIONS				
SYM	NOTICE	DESCRIPTION	DATE	APPROVED
-	ER 21/003	NEW DRAWING RELEASE, UPDATED 3/13/23	12/12/22	DW-SDS
A	ECR 24/118	UPDATE PICTORALLY	6/26/24	RJB/BR



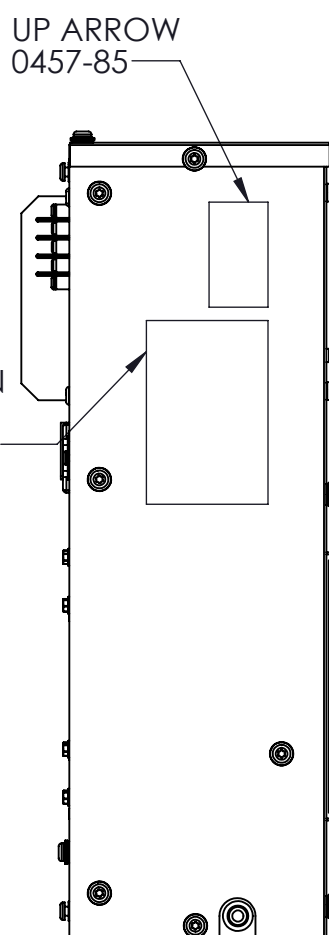
SHIP LOOSE WITH UNIT:  
 (0448-55) POWER CORD 6' IEC FOR 115VAC QTY 1  
 (0448-57) POWER CORD 6' IEC FOR 230VAC QTY 1  
 (0625-38-500) TUBING PVC 3/8" ID 1/2" OD 5' QTY 1  
 (0639-55) GASKET NEOPRENE 1/4" X 1/2" 5.39' QTY 1



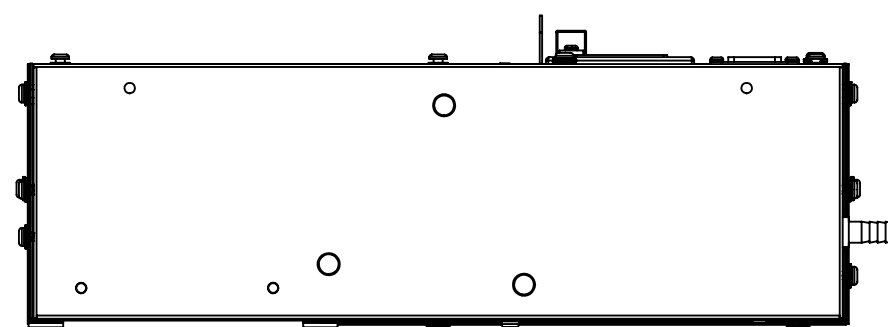
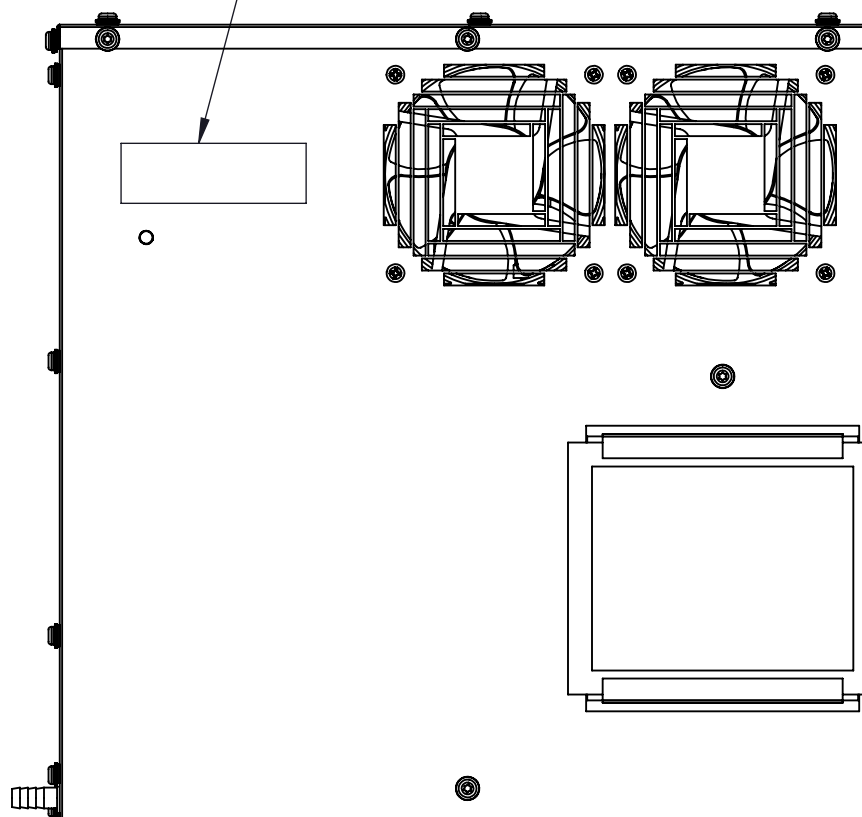
TEMP ALARM LABEL  
0457-75-138



CAUTION LABEL  
0457-124



LOGO LABEL  
0457-98



UNLESS OTHERWISE SPECIFIED TOLERANCES NON-ACCUMULATIVE			DRAWN D.WALDRON		DATE 12/12/22	
TOL. ON	INCHES	MM	CHECKED Steve Schmierer	TITLE		
.XX	± .02	±	ENG. S.SABETI	1/25/23		
.XXX	± .010	±	MFG. ENG.			
ANGULAR			± 1/2°			
MATERIAL	SEE BOM		CODE IDENT. NO. 06223			
UNIT	KA4C1DSP17L		APPROVED BKKreeley		3/17/23	



BUTTON UP  
KA4C1DSP17L

SIZE C	DWG. NO. GA201917-1B	REV A
SCALE 4:1	CAD. REF.	SHEET 1 of 1