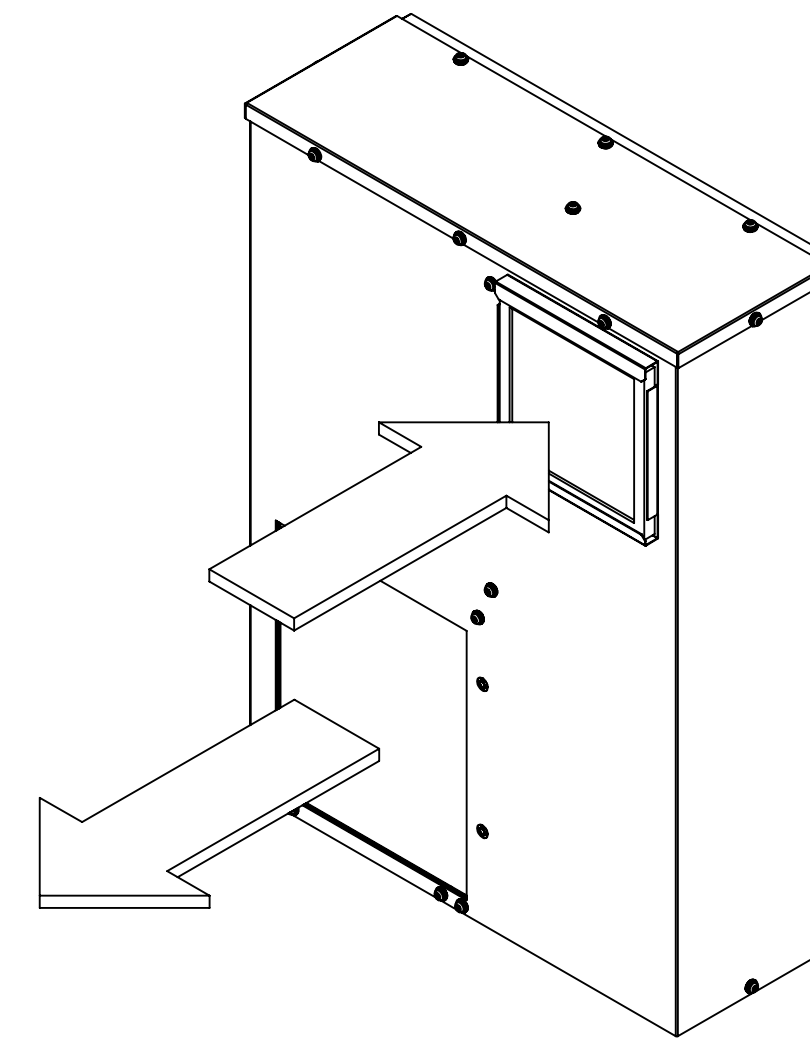
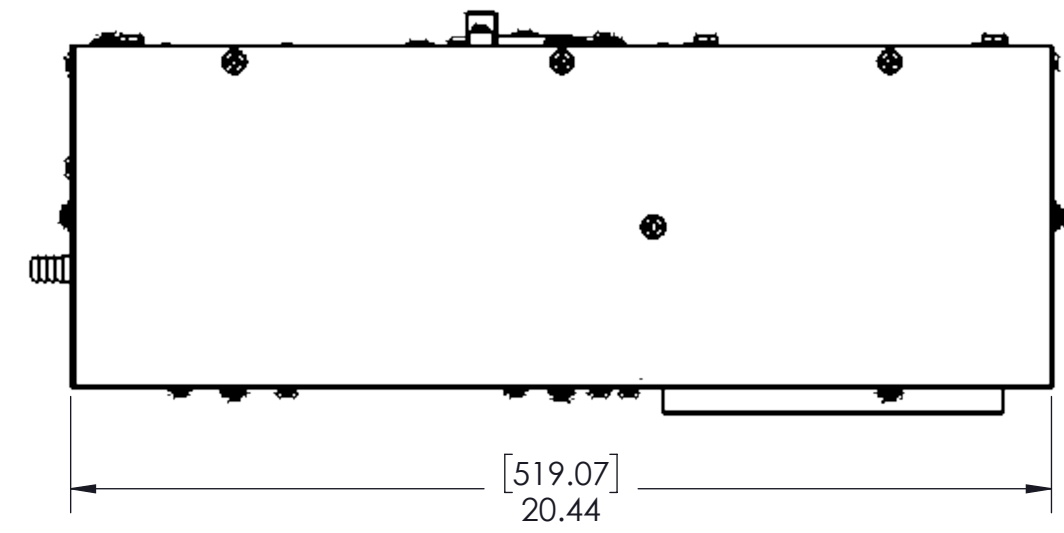
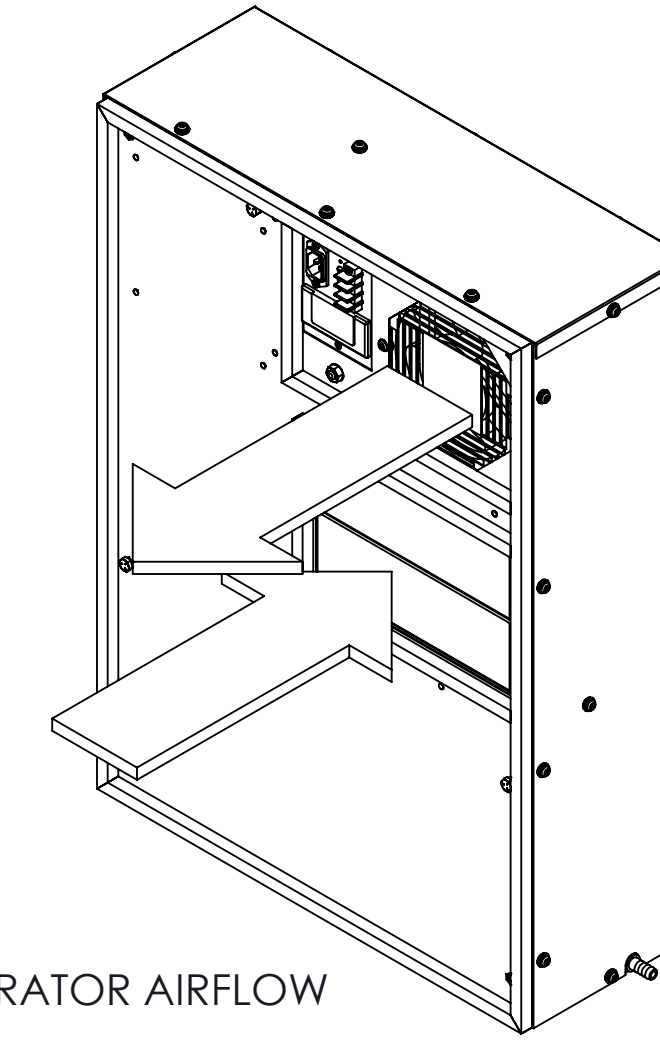


THIS DOCUMENT IS THE PROPERTY OF KOOLTRONIC, INC. AND CONTAINS PROPRIETARY AND CONFIDENTIAL INFORMATION WHICH MUST NOT BE DUPLICATED, USED OR DISCLOSED TO OTHERS, EXCEPT AS EXPRESSLY AUTHORIZED IN WRITING BY KOOLTRONIC, INC.

REVISIONS				
SYM	NOTICE	DESCRIPTION	DATE	APPROVED
-	ER 23/028	NEW DRAWING RELEASE	11/3/23	SS
A	EC 24/119	ADDED RIV NUT & REMOVED MOUNTING BRACKET	6/18/24	BR / VB



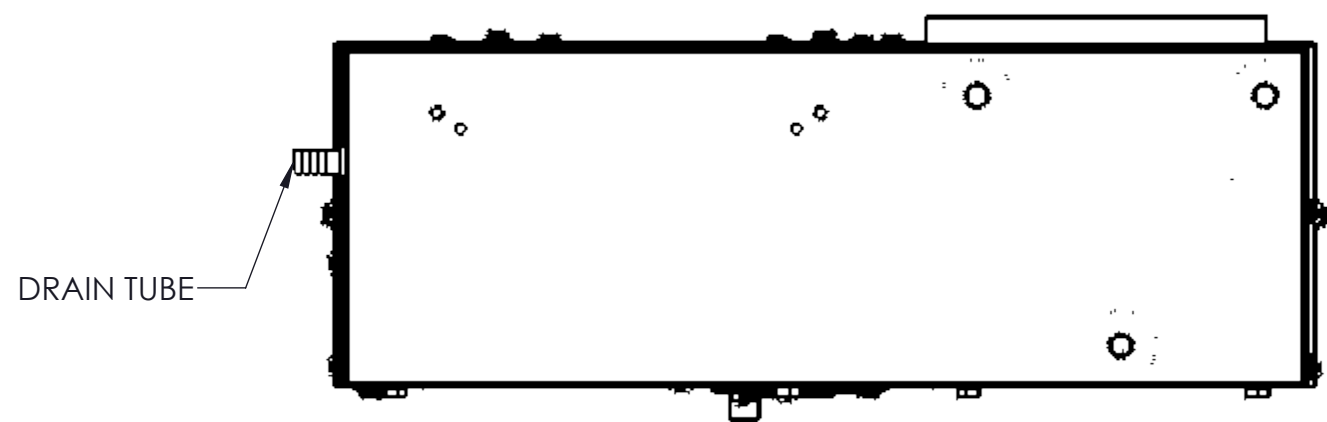
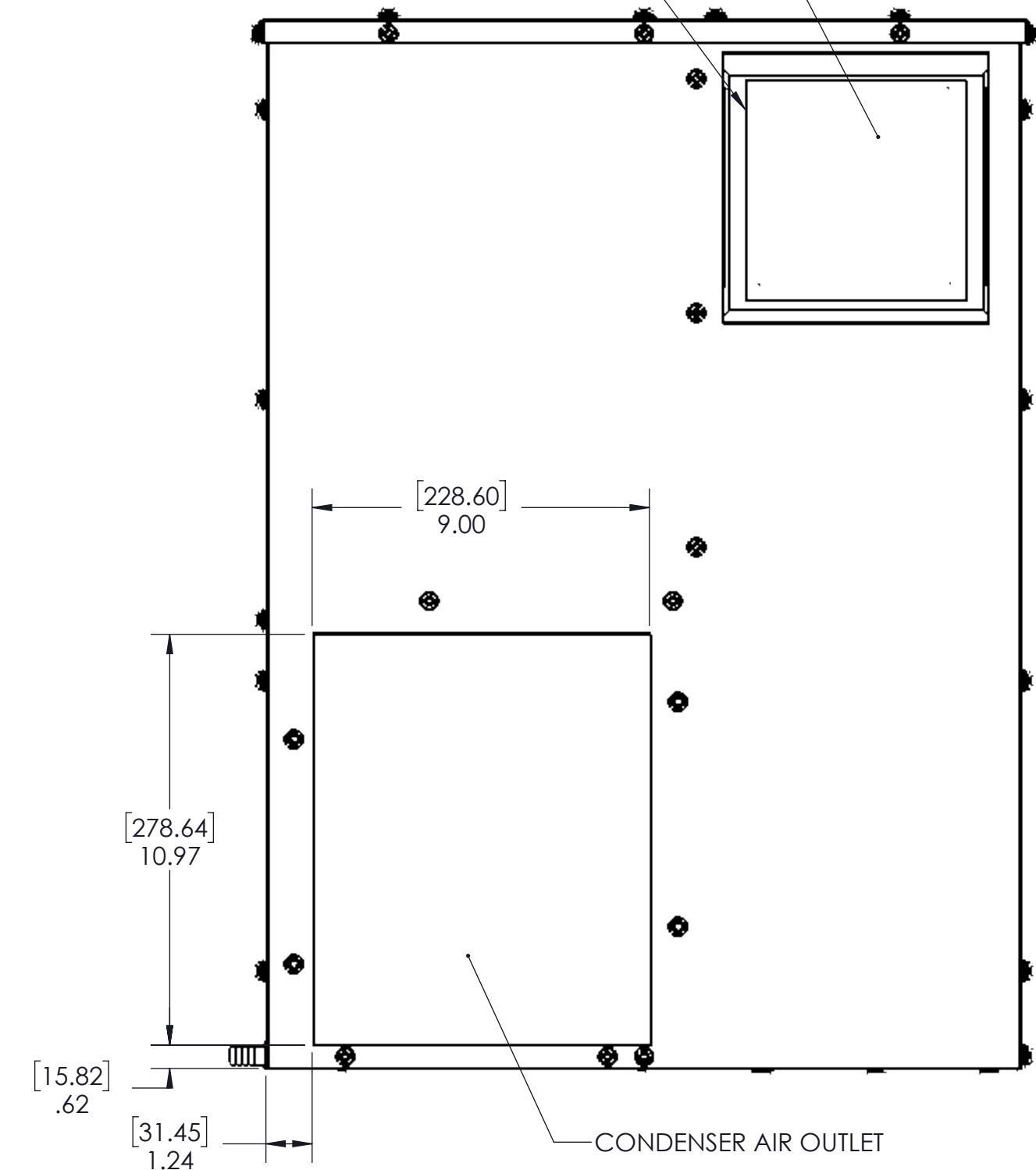
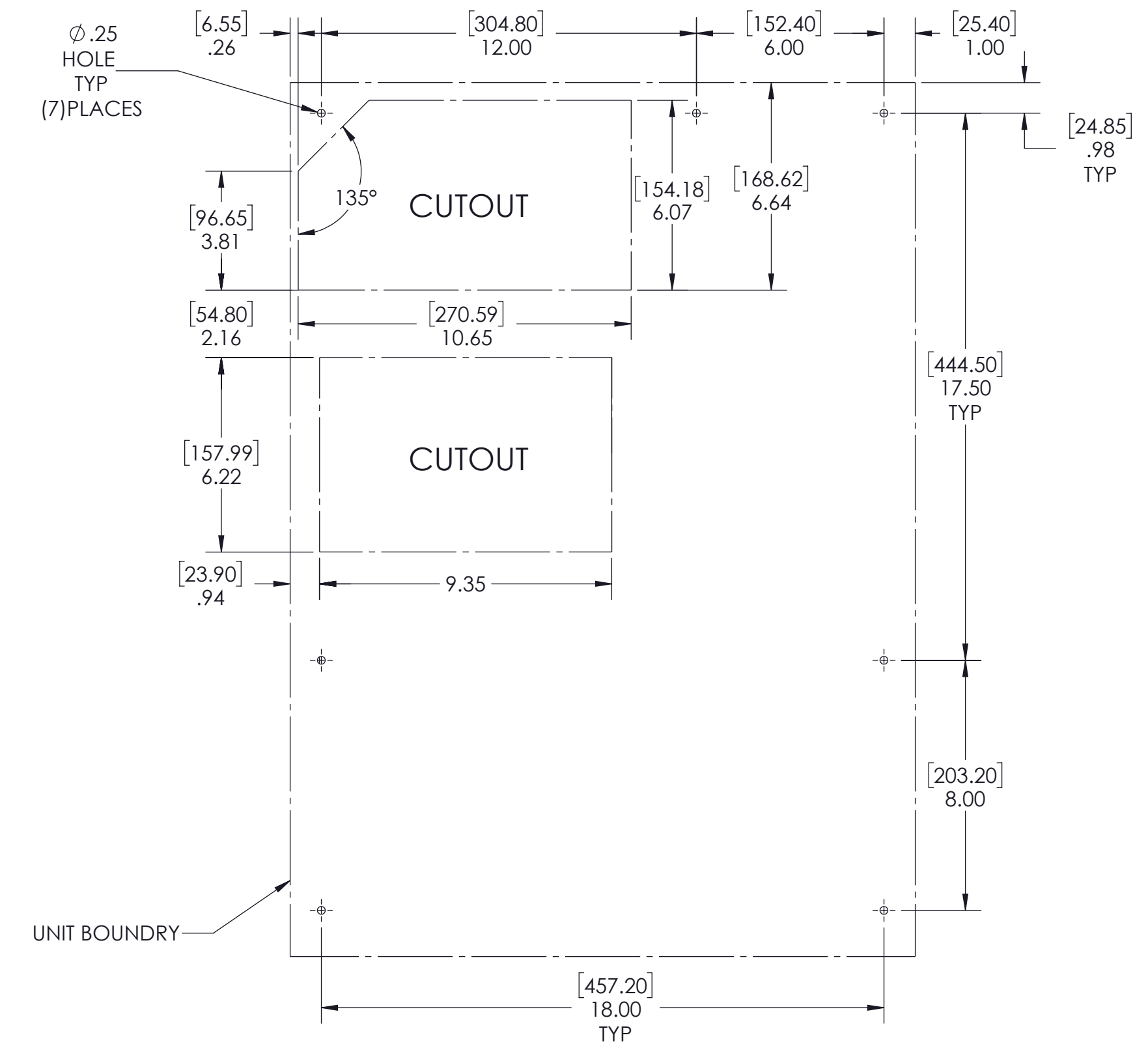
CONDENSER AIRFLOW



EVAPORATOR AIRFLOW

CONDENSER AIR INLET
FILTER (OPTION)

POWER OUTLET
DIGITAL THERMOSTAT
HIGH TEMP ALARM
EVAPORATOR AIR OUTLET



P/N: GA201928-1A

ALL DIMENSIONS ARE IN INCHES. DIMENSIONS DESIGNATED MM ARE IN MILLIMETERS. UNLESS OTHERWISE SPECIFIED TOLERANCES NON-ACCUMULATIVE.		DRAWN S. SABETI 11/3/23				
TOL. ON	INCHES	MM	DATE			
.XX	± .02	±	11/17/23	TITLE GENERAL ARRANGMENT K_A4C3DSP28L		
.XXX	± .010	±	11/3/23			
ANGULAR	± 1/2 °					
MATERIAL			CODE IDENT. NO.	SIZE	DWG. NO.	REV
UNIT	K_A4C3DSP28L		06223	D	GA201928-1A	A
			SCALE 1:1	CAD. REF.	SHEET 1 OF 1	