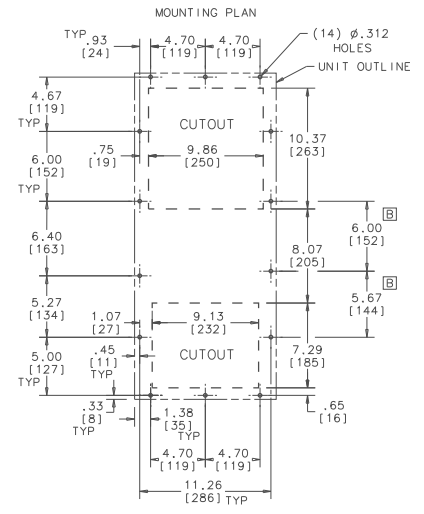
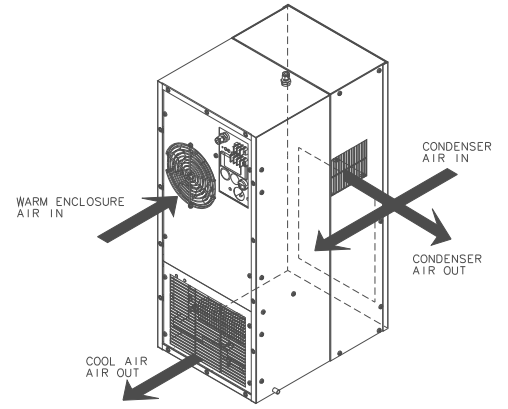
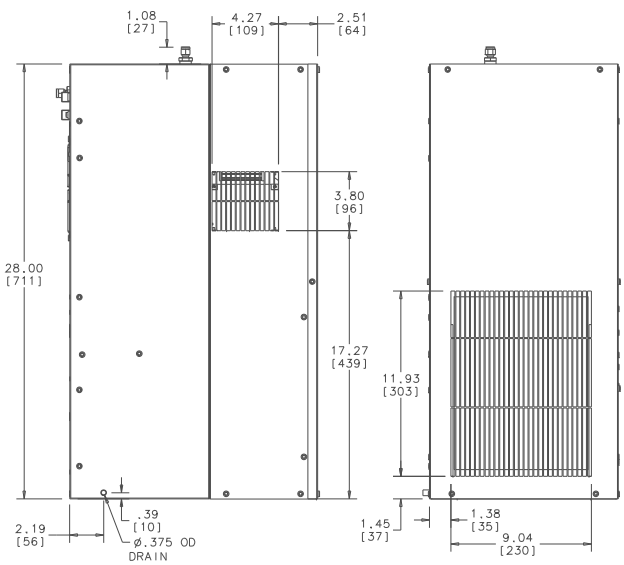
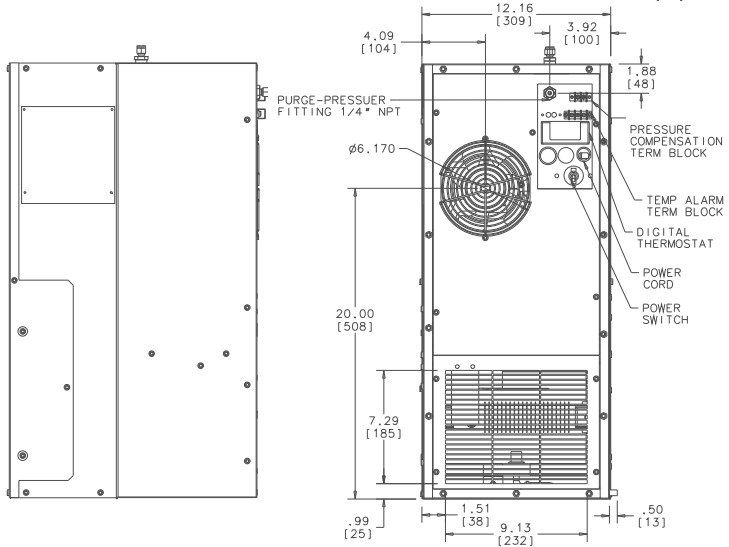
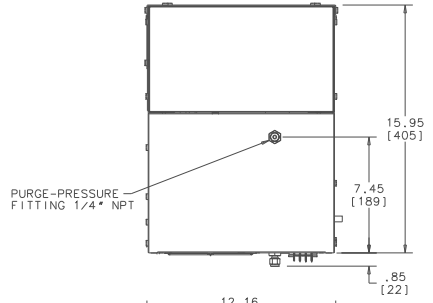


THIS DOCUMENT IS THE PROPERTY OF KOOLTRONIC, INC. AND CONTAINS PROPRIETARY AND CONFIDENTIAL INFORMATION WHICH MUST NOT BE DUPLICATED, USED OR DISCLOSED TO OTHERS, EXCEPT AS EXPRESSLY AUTHORIZED IN WRITING BY KOOLTRONIC, INC.

| REVISIONS | | | | |
|-----------|-----------|--|----------|----------|
| SYM | NOTICE | DESCRIPTION | DATE | APPROVED |
| - | ER 18/012 | NEW DRAWING RELEASE | 12/20/18 | JS/SDS |
| A | EC 19/065 | ADD PRESSURE COMPENSATION TERMINAL BLOCK | 3/6/19 | CM/SDS |
| B | EC 19/571 | ADDED(2) MOUNTING HOLE DIMENSIONS THAT ARE NOT TYP | 11/27/19 | JS/SDS |



| ALL DIMENSIONS ARE IN INCHES. DIMENSIONS DESIGNATED MM ARE IN MILLIMETERS. | | | | UNLESS OTHERWISE SPECIFIED TOLERANCES NON-DECIMALATIVE. | | DRAWN BY: JEFFREY STEDLICK 12/20/18 | | DATE: 12/20/18 | |
|--|--------|----|-----------------|---|--------------------------|-------------------------------------|--|----------------|--|
| TOL. ON | INCHES | MM | CHECKED | DATE | TITLE | | | | |
| .XX | ± .02 | | Steve Schmierer | 12/27/18 | GENERAL ARRANGEMENT HL28 | | | | |
| .XXX | ± .010 | | Sepehr Sabeti | 1/4/19 | | | | | |
| ANGULAR | ± 1/2° | | MFG. ENG. | | | | | | |
| MATERIAL | | | | CODE IDENT. NO. SIZE | | DWG. NO. | | REV | |
| UNIT K_A4C3HL2BLV | | | | 06223 | | D GA202028A | | B | |
| APPROVED Bruce Kreeley 1/16/19 | | | | SCALE: 1/875=1 | | CAD. REF. | | SHEET 1 OF 1 | |

