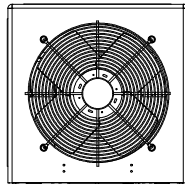
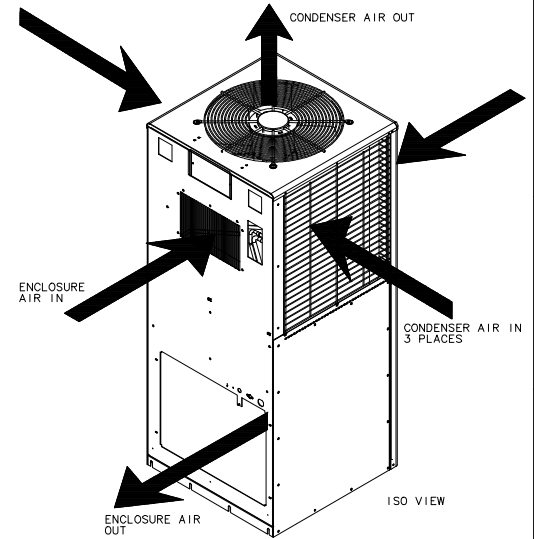


THIS DOCUMENT IS THE PROPERTY OF KOOLTRONIC, INC. AND CONTAINS PROPRIETARY AND CONFIDENTIAL INFORMATION WHICH MUST NOT BE DUPLICATED, USED OR DISCLOSED TO OTHERS, EXCEPT AS EXPRESSLY AUTHORIZED IN WRITING BY KOOLTRONIC, INC.

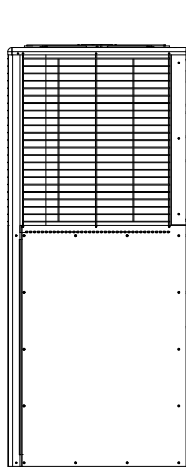
REVISIONS			
SYM	NOTICE	DESCRIPTION	DATE APPROVED
-	ER 02/16/0	NEW DRAWING RELEASE	1/24/03 JS



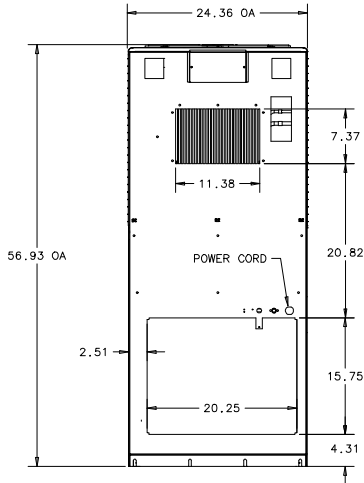
TOP



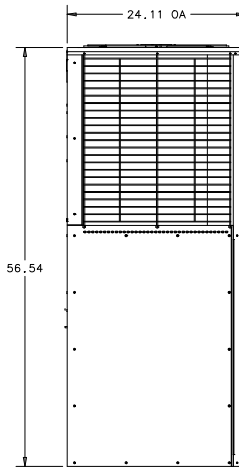
ISO VIEW



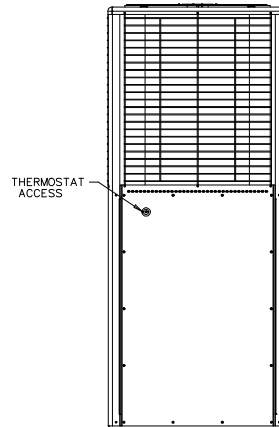
LEFT SIDE



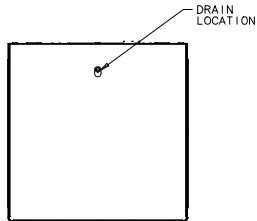
FRONT



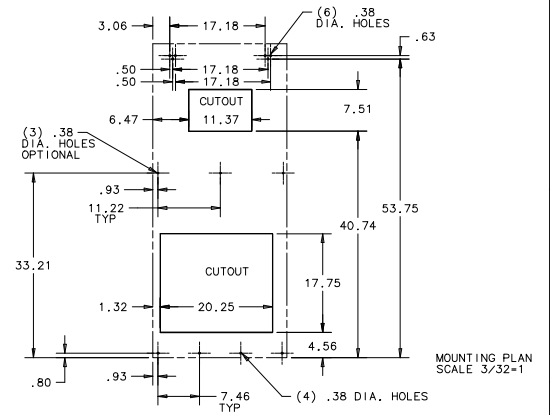
RIGHT SIDE



BACK



BOTTOM



MOUNTING PLAN SCALE 3/32=1

ALL DIMENSIONS ARE IN INCHES. DIMENSIONS DESIGNATED MM ARE IN MILLIMETERS. UNLESS OTHERWISE SPECIFIED TOLERANCES NON-ACCUMULATIVE					
TOL.	IN	MM	CHECKED	DATE	TITLE
.XX	± .02	±	JERRY STEDLICK	11/12/02	GENERAL ARRANGEMENT
.XXX	± .010	±	BORIS MUZIKANT	11/12/02	
ANGULAR	± 1/2 °				
MATERIAL					CODE IDENT. NO. SIZE DWG. NO. REV UNIT APPROVED SCALE 125-1 DWG. REF. SHEET 1 OF 1
K2A3C30EP56BR					