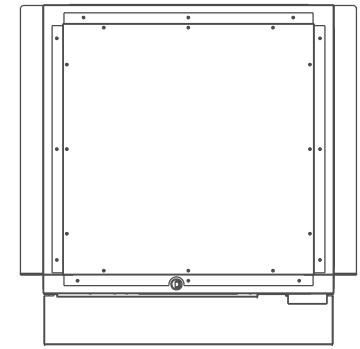
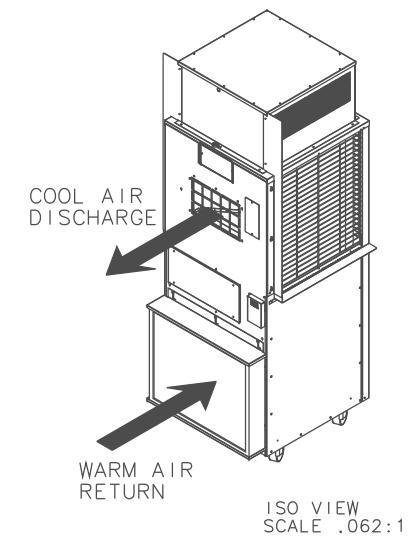


THIS DOCUMENT IS THE PROPERTY OF KOOLTRONIC, INC. AND CONTAINS PROPRIETARY AND CONFIDENTIAL INFORMATION WHICH MUST NOT BE DUPLICATED, USED OR DISCLOSED TO OTHERS, EXCEPT AS EXPRESSLY AUTHORIZED IN WRITING BY KOOLTRONIC, INC.

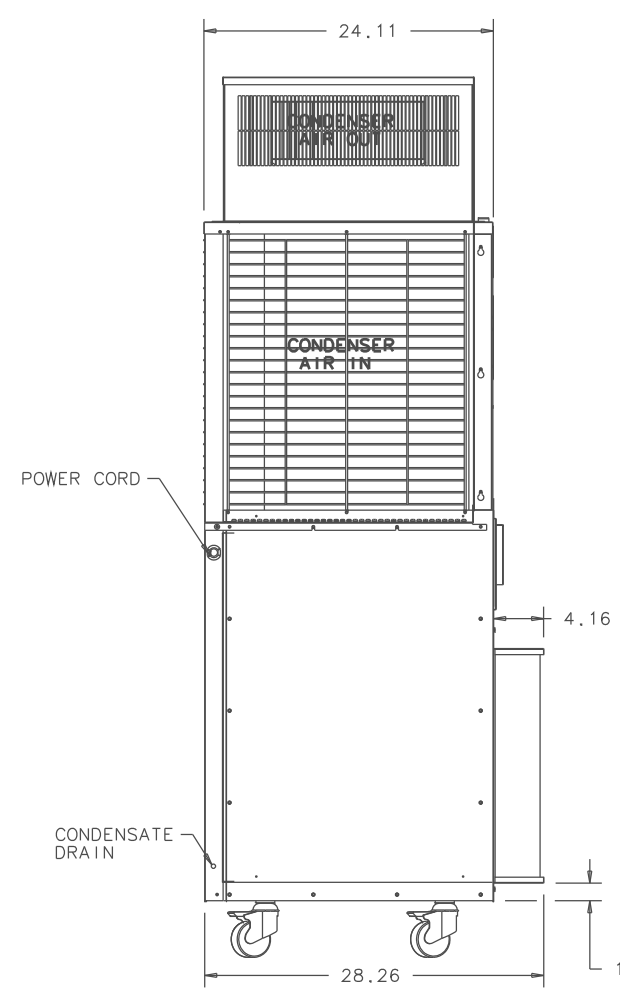
REVISIONS				
SYM	NOTICE	DESCRIPTION	DATE	APPROVED
-	P3959	PRELIMINARY DRAWING RELEASE	6/8/17	JS
A	P3959	FILTER DESIGN CHANGES, SHEET METAL HOLE CHANGES	9/25/17	JS



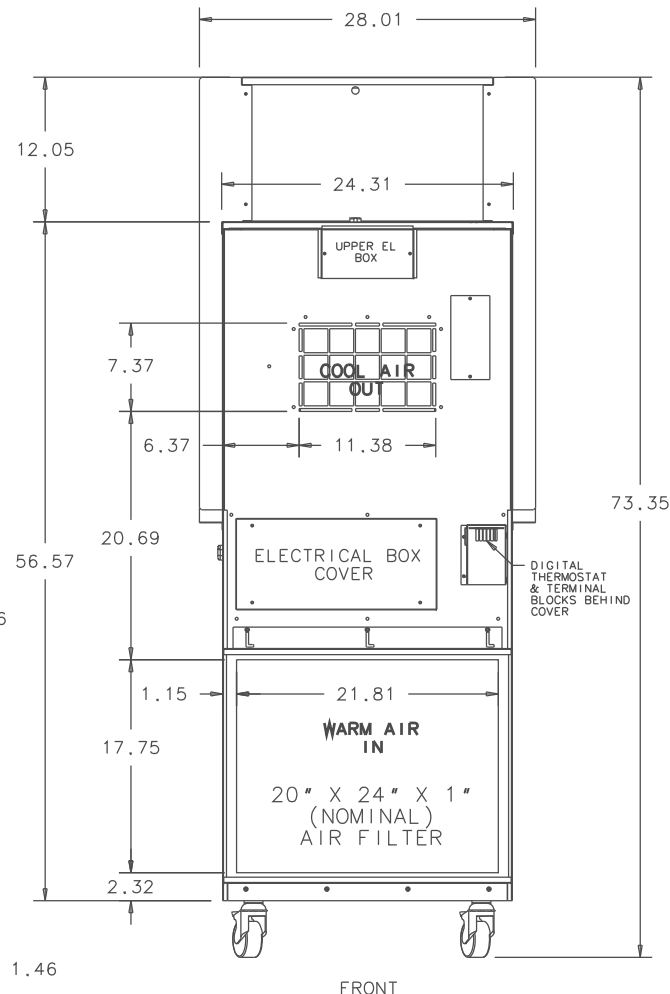
TOP



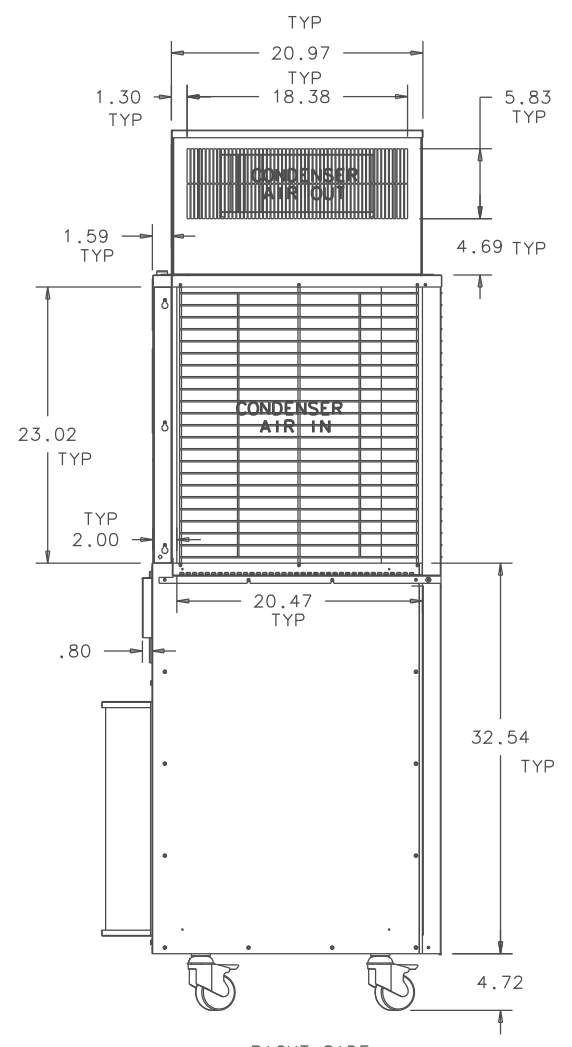
ISO VIEW  
SCALE .062:1



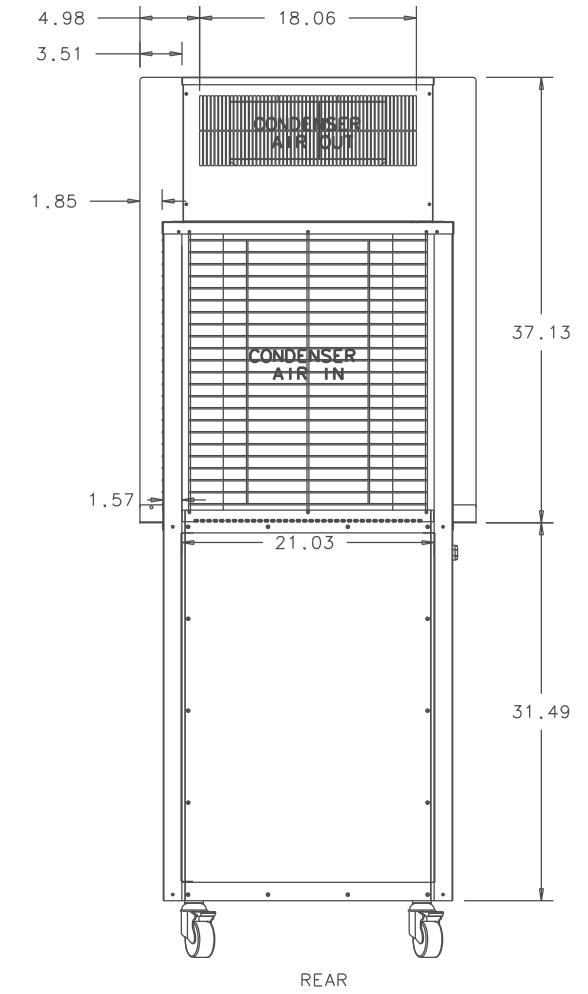
LEFT SIDE



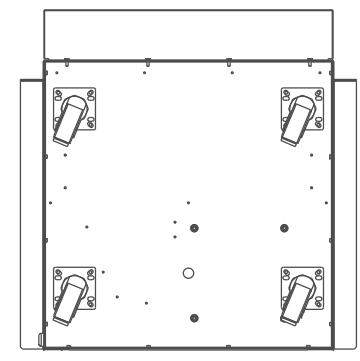
FRONT



RIGHT SIDE



REAR



BOTTOM

**FILTER REPLACEMENT:**  
 LOOSEN (3) SCREWS ON UPPER FILTER BRACKET  
 SIDE UPPER FILTER BRACKET UP AND TO THE LEFT.  
 LIFT FILTER SLIGHTLY TO CLEAR BOTTOM BRACKET  
 AND REMOVE.  
 REVERSE PROCEDURE TO INSTALL NEW FILTER

- NOTES:**
- 1.) ADJUSTABLE CASTERS ARE SHOWN AT MINIMUM HEIGHT  
ADD 1" FOR MAXIMUM HEIGHT
  - 2.) POWER CORD LOCATED ON LEFT SIDE
  - 3.) TOOLS ARE REQUIRED FOR THERMOSTAT ACCESS

**Electrical Data**  
 Voltage 208-230V  
 Frequency - 60 Hz  
 Phase - 1  
 Amperage - 27

ALL DIMENSIONS ARE IN INCHES. DIMENSIONS DESIGNATED MM ARE IN MILLIMETERS.		DRAWN JERRY STEDNICK DATE 6/8/17		 PENNINGTON, NJ USA
UNLESS OTHERWISE SPECIFIED TOLERANCES NON-ACCUMULATIVE		CHECKED		
TOL. ON	INCHES	MM		TITLE GENERAL ARRANGEMENT EP56 NYT
.XX	± .02	±	ENG. JIM DISLER 6/8/17	
.XXX	± .010	±	MFG. ENG.	
ANGULAR	± 1/2 °			
MATERIAL				CODE IDENT. NO.
UNIT	APPROVED	DATE	SCALE	SIZE
K2A6C30EP56TR-4	BRUCE KREELEY	6/8/17	1:25:1	D
		DWG. NO.	REV	
		GA-209055-04-01	V20	A
		CAD. REF.	SHEET	1 OF 1