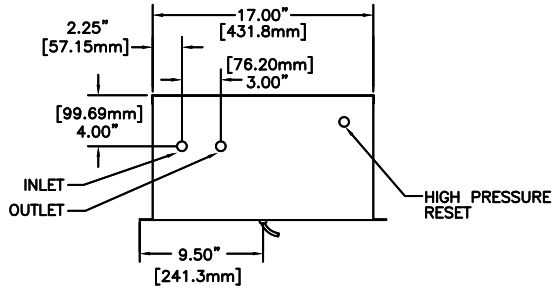
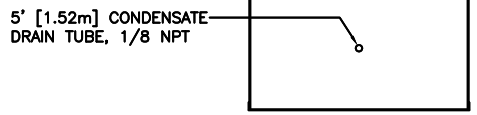
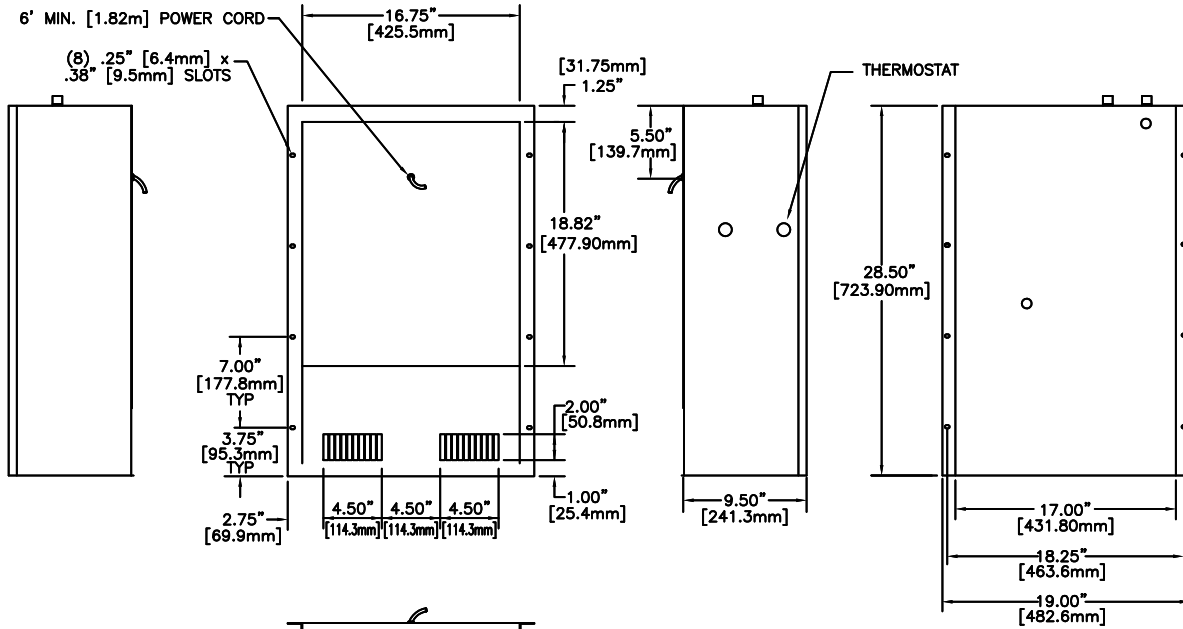
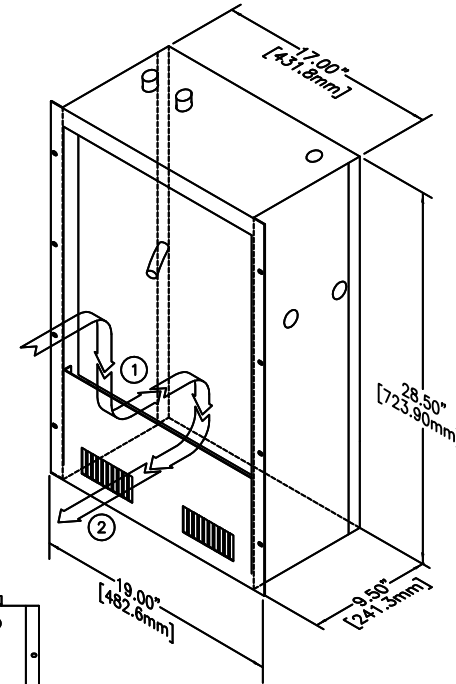


THIS DOCUMENT IS THE PROPERTY OF KOOLTRONIC, INC. AND CONTAINS PROPRIETARY AND CONFIDENTIAL INFORMATION WHICH MUST NOT BE DUPLICATED, USED OR DISCLOSED OTHER THAN AS EXPRESSLY AUTHORIZED BY KOOLTRONIC, INC.

REVISIONS				
SYM	NOTICE	DESCRIPTION	DATE	APPROVED
-	EC 04/129	NEW DRAWING RELEASE	4/13/04	RDM



- ① WARM AIR RETURN FROM ELECTRONICS
- ② COOL AIR OUTLET TO ELECTRONICS



UNLESS OTHERWISE SPECIFIED TOLERANCES NON-ACCUMULATIVE				DRAWN		DATE	
TOL.	ON	INCHES	MM	RDM	RDM	4/13/04	
.XX		± .02	±	CHECKED			
.XXX		± .010	±	ENG.			
ANGULAR			± 1/2°	MFG. ENG.			
MATERIAL				APPROVED		CODE IDENT. NO.	
UNIT KA4C2WP28						06223	
						SIZE	DWG. NO.
						C	GA21500A
						SCALE	SHEET
						NTS	1 OF 1

**KOOLTRONIC, INC.**  
HOPEWELL, NJ VENTURA, CA USA

TITLE  
**GENERAL ARRANGEMENT  
KA4C2WP28**

REV  
—