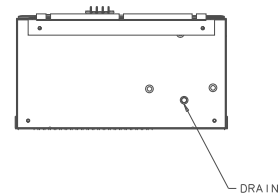
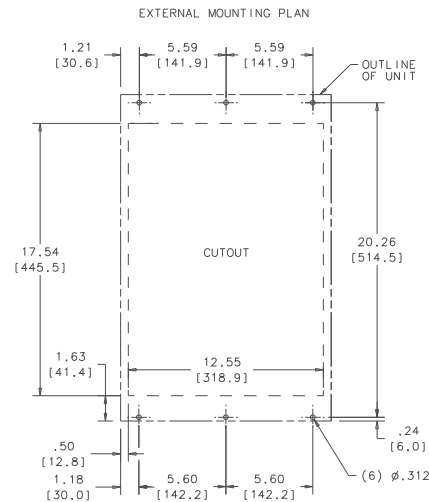
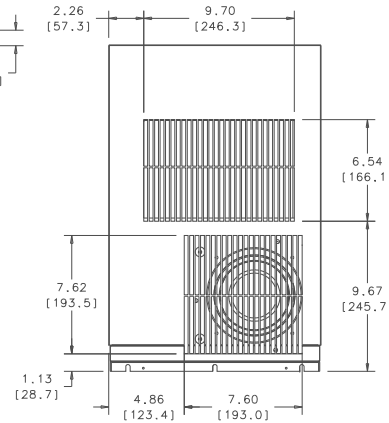
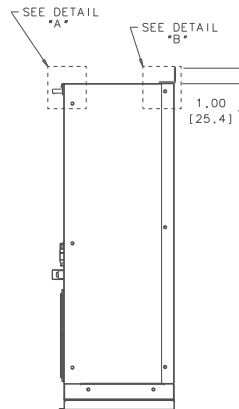
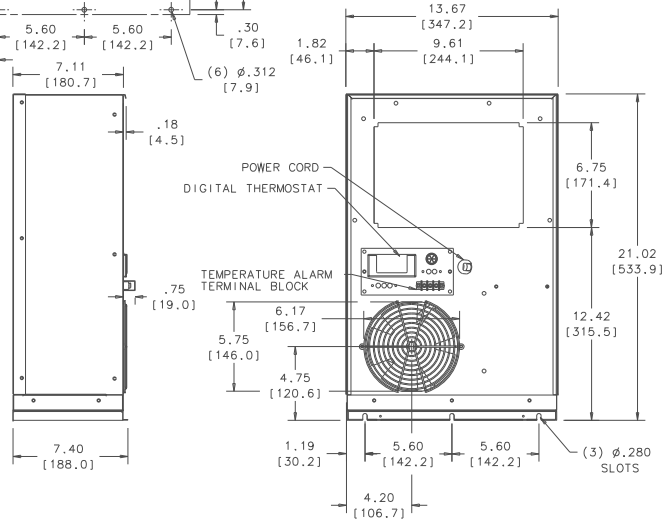
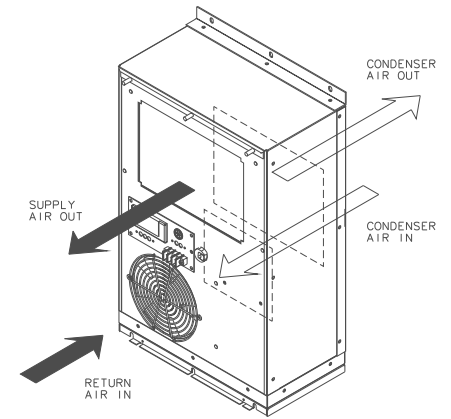
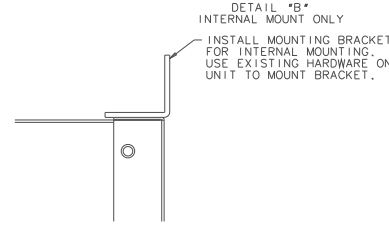
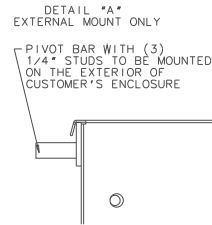
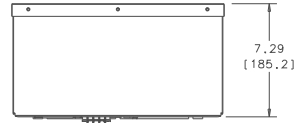
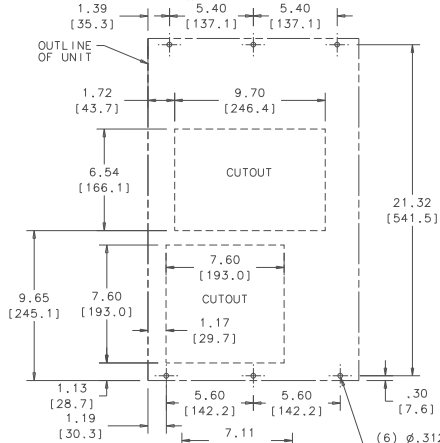


THIS DOCUMENT IS THE PROPERTY OF KOOLTRONIC, INC. AND CONTAINS PROPRIETARY AND CONFIDENTIAL INFORMATION WHICH MUST NOT BE DUPLICATED, USED OR DISCLOSED TO OTHERS, EXCEPT AS EXPRESSLY AUTHORIZED IN WRITING BY KOOLTRONIC, INC.

REVISONS		DATE	APPROVED
EC	18/410	8/16/18	JS
EC	19/237	8/21/19	JS/SDS

INTERIOR MOUNTING PLAN

NOTE: THIS VIEW IS FROM INSIDE OF ENCLOSURE



ALL DIMENSIONS ARE IN INCHES, DIMENSIONS DESIGNATED IN MILLIMETERS.				DRAWN DATE	
TOL. ON	INCHES	MM	CHECKED	DATE	DATE
.xxx	± .02	±	STEVE SCHMIERER	8/20/18	8/16/18
.xxx	± .010	±	ENG.		
ANGULAR	± 1/2	°	MFG. ENG.		
MATERIAL				CODE IDENT. NO.	DWG. NO.
UNIT KA4C3DP21L				06223	CA250021A
APPROVED JOE MILKO				SCALE .25=1	CAD. REF.
				8/21/18	SHEET 1 OF 1



GENERAL ARRANGEMENT