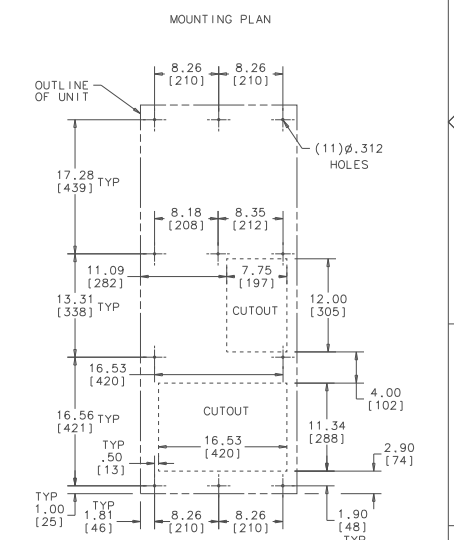
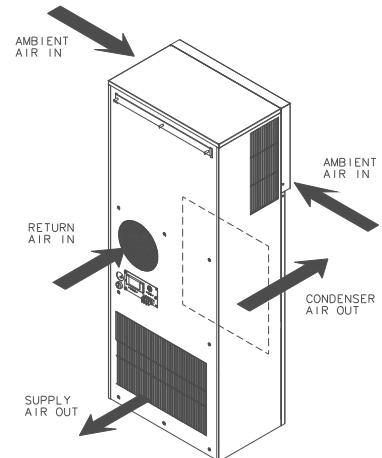
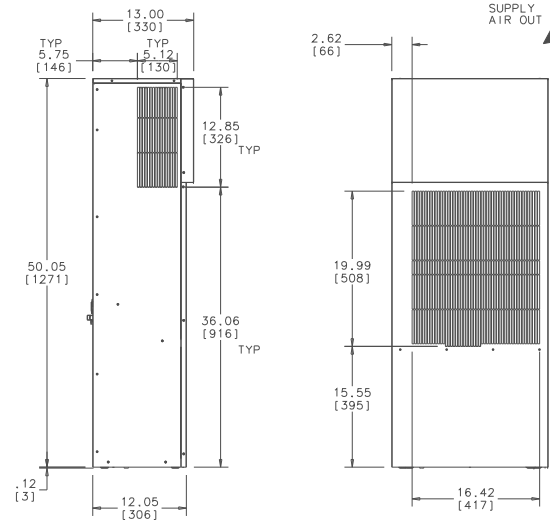
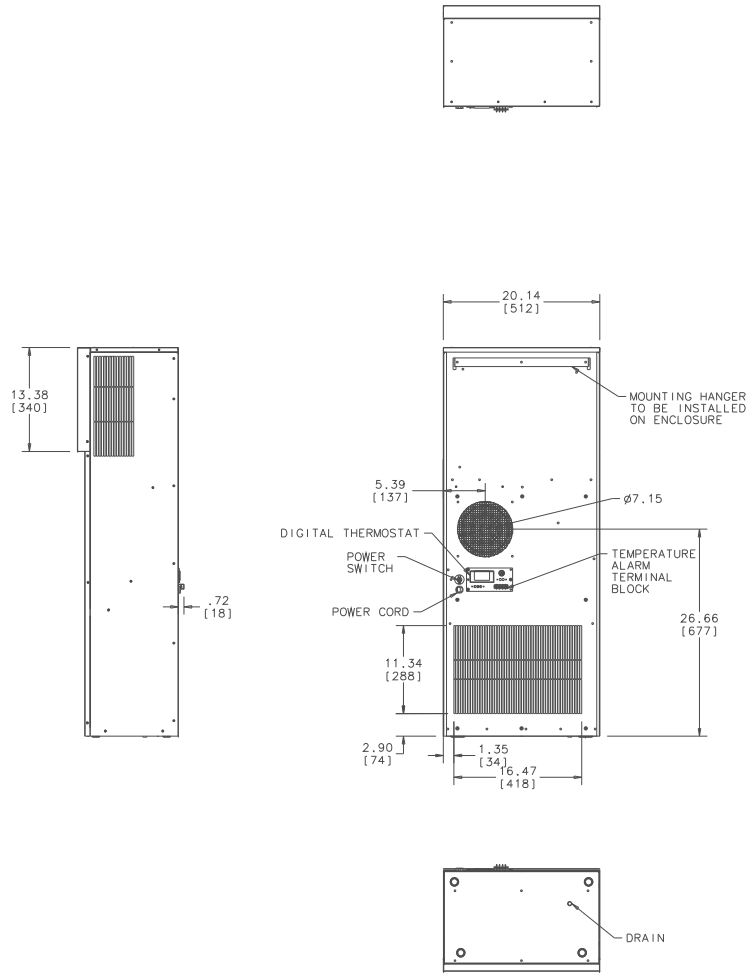


THIS DOCUMENT IS THE PROPERTY OF KOOLTRONIC, INC. AND CONTAINS PROPRIETARY AND CONFIDENTIAL INFORMATION WHICH MUST NOT BE DUPLICATED, USED OR DISCLOSED TO OTHERS, EXCEPT AS EXPRESSLY AUTHORIZED IN WRITING BY KOOLTRONIC, INC.

REVISONS		DESCRIPTION	DATE	APPROVED
5/M	NOTICE			
-	EC 14/861	NEW DRAWING RELEASE	6/23/16	JS DW



ALL DIMENSIONS ARE IN INCHES. DIMENSIONS DESIGNATED IN MILLIMETERS.				UNLESS OTHERWISE SPECIFIED TOLERANCES ARE NON-DECIMALATIVE.		DATE			
TOL. ON	INCHES	MILLIMETERS	DESIGN	DATE	P/N GA250050A				
.XX	± .02	±	JERRY STEDNICK	6/23/16	KOOLTRONIC, INC. PENNSYLVANIA, PA USA				
.XXX	± .010	±	D. WALDRON	6/23/16	TITLE				
ANGULAR	± 1/2	°	Ron Kaufman	7/8/16	GENERAL ARRANGEMENT				
MATERIAL			MFG. ENG.		CODE IDENT. NO.	SIZE	DWG. NO.	REV	
UNIT	K2A8C14DPS0DL WITH DIXELL		APPROVED	Joe Miko	7/14/16	06223	D	GA250050A	-
					SCALE	1/25=1	CAD. REF.		SHEET 1 OF 1