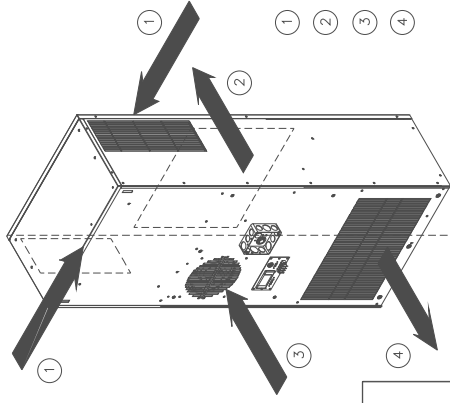
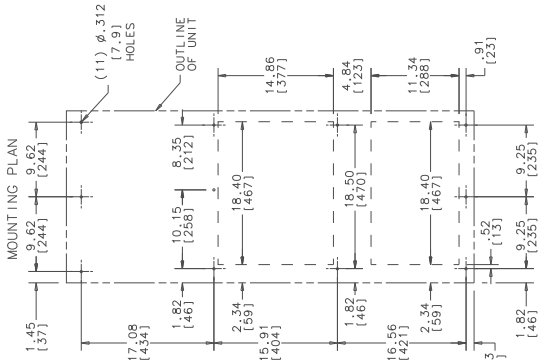
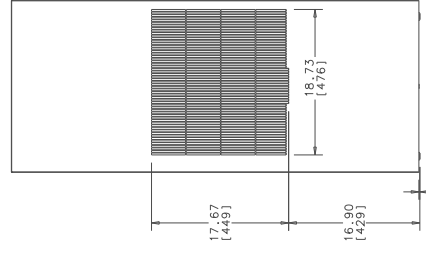
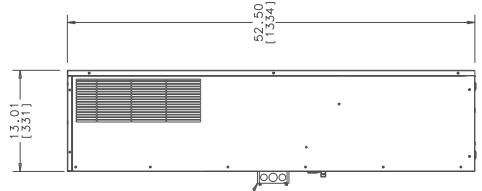
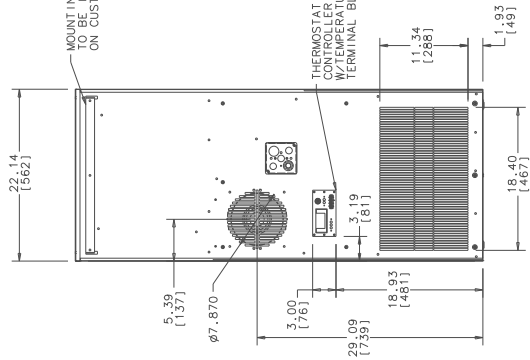
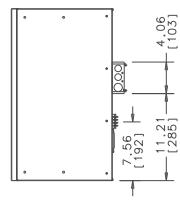


THIS DOCUMENT IS THE PROPERTY OF KOOLTRONIC, INC. AND CONTAINS PROPRIETARY AND CONFIDENTIAL INFORMATION WHICH MUST NOT BE REPRODUCED, COPIED, OR DISCLOSED TO OTHERS, EXCEPT AS EXPRESSLY AUTHORIZED IN WRITING BY KOOLTRONIC, INC.

SYN	NOTICE	DESCRIPTION	DATE	APPROVED
-	EC 15/2019	NEW DRAWING RELEASE	12/19/19	J.S



- ① CONDENSER AIR INLET
- ② CONDENSER AIR OUTLET
- ③ WARM AIR RETURN
- ④ COOL AIR OUTLET



ALL DIMENSIONS ARE IN INCHES UNLESS INDICATED OTHERWISE IN MILLIMETERS.		DATE	
INCHES	MILLIMETERS	CHECKED	DATE
IN	MM	JERRY STEDLICK	12/19/19
DESIGNED BY	DATE	DRAWN BY	DATE
MIKE Mc Gowan	12/29/15	Ron Kaufman	1/19/16
ENGR.		MECH. ENGR.	
MATERIAL			
UNIT	K3NA6C18DP53L	FORM M.I.K.O.	1/19/16

KOOLTRONIC
POWERFUL. NOT JUST A WORD.

TITLE: GENERAL ARRANGEMENT K3NA6C18DP53L
 DRAWING NO.: 08223 D
 UNIT: CA250053AA
 SHEET: 1 OF 1