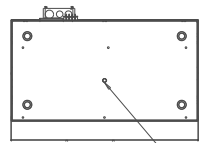
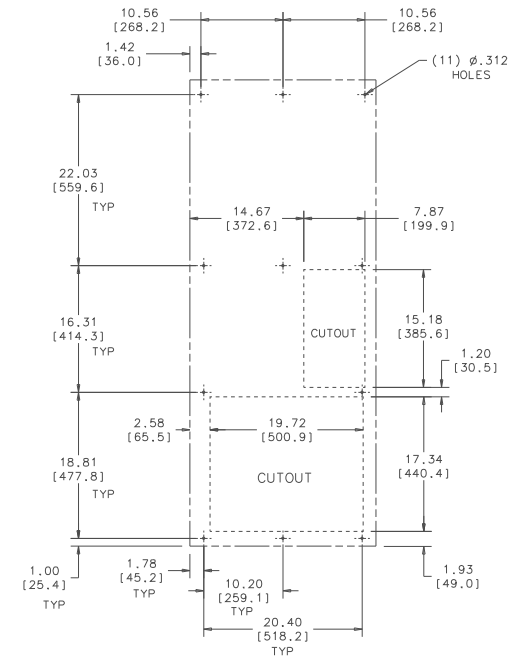
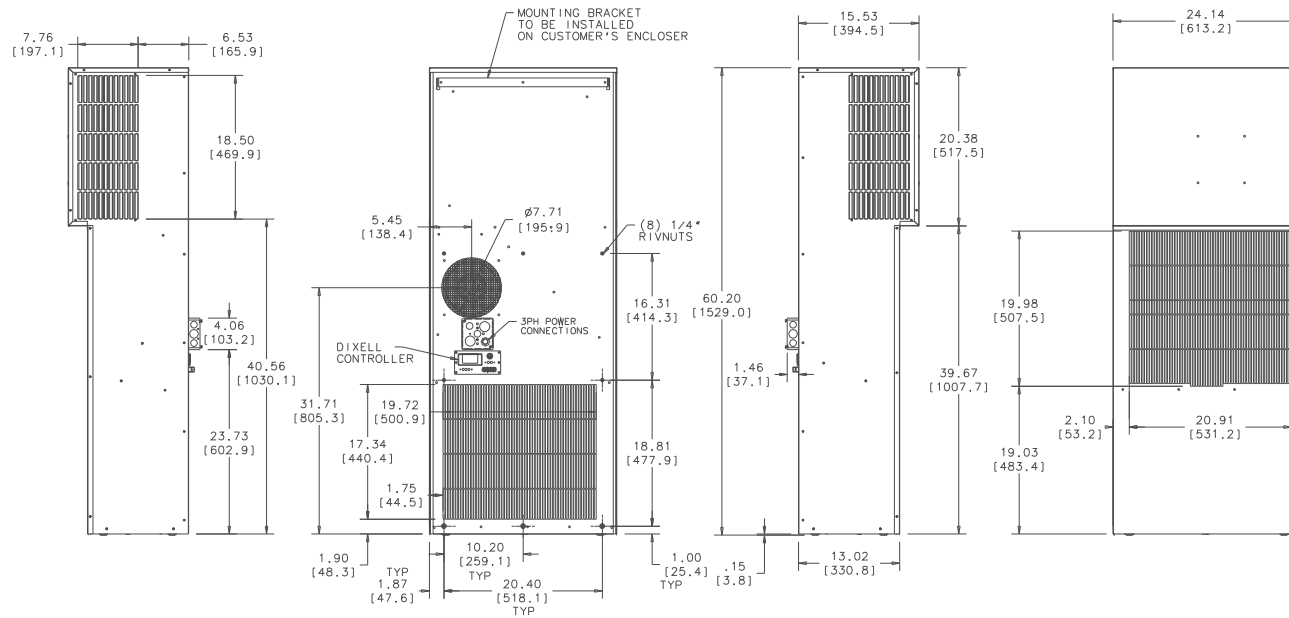
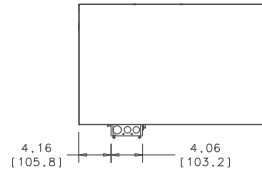
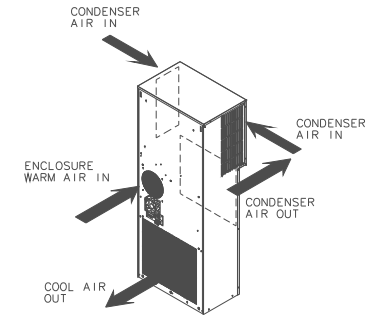


THIS DOCUMENT IS THE PROPERTY OF KOOLTRONIC, INC. AND CONTAINS PROPRIETARY AND CONFIDENTIAL INFORMATION WHICH MUST NOT BE DUPLICATED, USED OR DISCLOSED TO OTHERS, EXCEPT AS EXPRESSLY AUTHORIZED IN WRITING BY KOOLTRONIC, INC.

| REVISONS | | DATE | APPROVED |
|----------|-----------|---------------------|------------|
| SYM | NOTICE | DESCRIPTION | |
| - | EC 15/033 | NEW DRAWING RELEASE | 7/20/15 JS |



| UNLESS OTHERWISE SPECIFIED TOLERANCES ARE IN MILLIMETERS | | | | DATE | |
|--|---------------|-------------|----------------|---------|--|
| TOL. ON | INCHES | MILLIMETERS | CHECKED | DATE | |
| .XX | ± .02 | ± | Mike Mc Crahan | 7/27/15 | |
| .XXX | ± .010 | ± | Ron Kaufman | 9/8/15 | |
| ANGULAR | ± 1/2 | | MFG. ENG. | | |
| MATERIAL | | | | | |
| UNIT | K2NA6C26DP60L | | APPROVED | DATE | |
| | | | Joe Milko | 9/21/15 | |
| CODE IDENT. NO. | SIZE | DWG. NO. | REV | | |
| 06223 | D | GA250061A | - | | |
| SCALE | 1:25=1 | CAD. REF. | SHEET | 1 OF 1 | |



GENERAL ARRANGEMENT