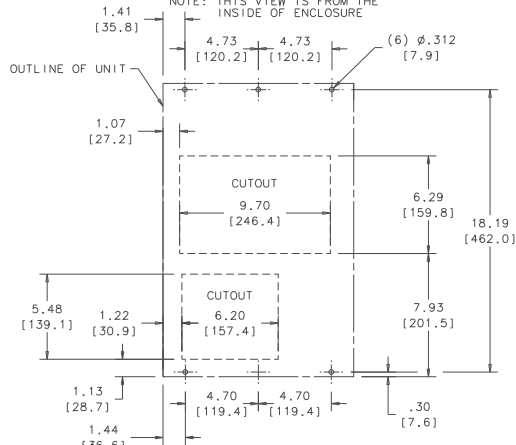


THIS DOCUMENT IS THE PROPERTY OF KOOLTRONIC, INC. AND CONTAINS PROPRIETARY AND CONFIDENTIAL INFORMATION WHICH MUST NOT BE DUPLICATED, USED OR DISCLOSED TO OTHERS, EXCEPT AS EXPRESSLY AUTHORIZED IN WRITING BY KOOLTRONIC, INC.

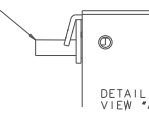
REVISIONS				
REV	NOTICE	DESCRIPTION	DATE	APPROVED
-	ER 06/001	NEW DRAWING RELEASE	2/13/06	JS DW-
A	EC 06/064	UPDATED DRAWING PICTORIALLY	3/6/06	JS
B	EC 07/272	PICTORIAL UPDATE & REVISE DIMENSIONS.	6/13/07	DW-

INTERNAL MOUNTING PLAN
NOTE: THIS VIEW IS FROM THE INSIDE OF ENCLOSURE



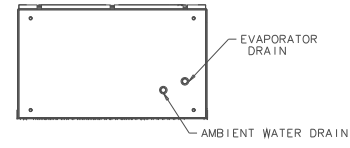
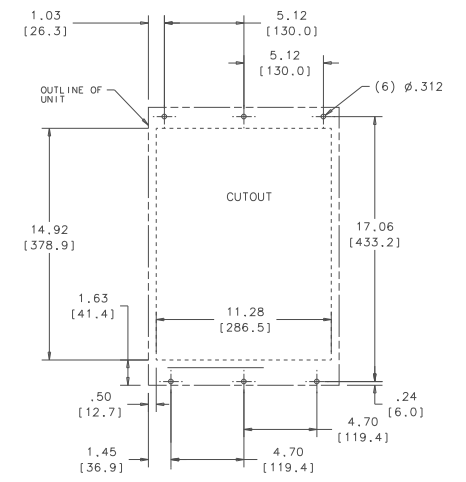
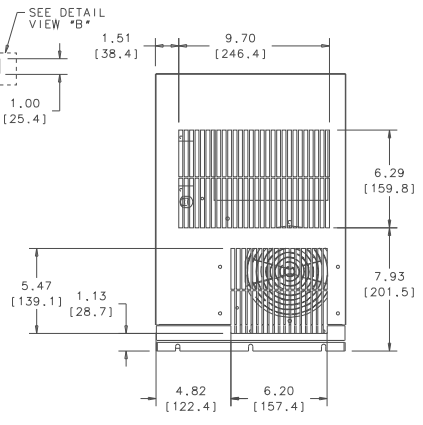
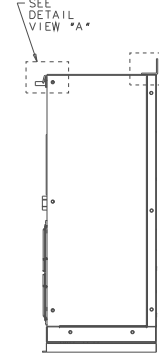
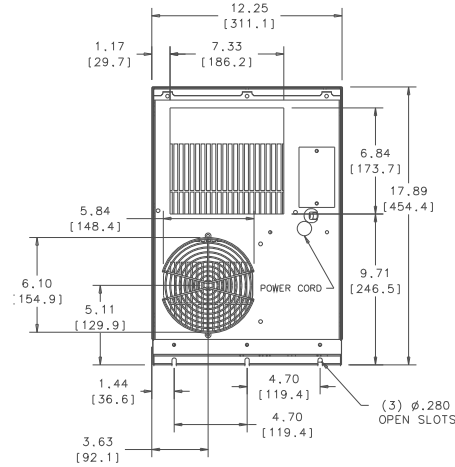
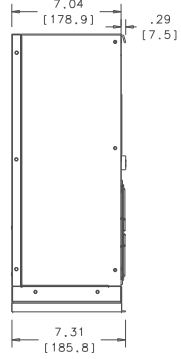
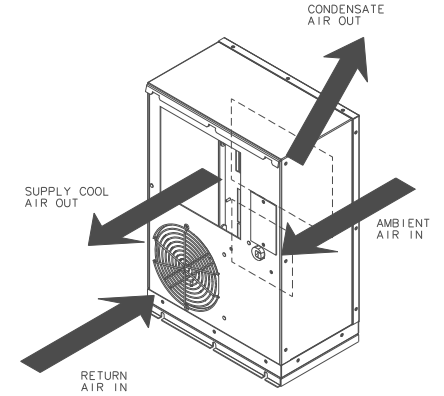
EXTERNAL MOUNT

PIVOT BAR WITH (3) STUDS TO BE MOUNTED ON THE EXTERIOR OF CUSTOMER'S ENCLOSURE



INTERNAL MOUNT

INSTALL BRACKET USING EXISTING HARDWARE ON UNIT



ALL DIMENSIONS ARE IN INCHES. DIMENSIONS DESIGNATED "M" ARE IN MILLIMETERS.				UNLESS OTHERWISE SPECIFIED TOLERANCES ARE:		DRAWN DATE		TITLE	
TOL.	INCHES	M	CHECKED	DATE	BY	DATE			
.XX	± .02	±	DAVE W	2/22/06	JEFFERY STEDNICK	1/19/06	GENERAL ARRANGEMENT		
.XXX	± .010	±	BORIS MUZIKANT	1/20/06					
ANGULAR	± 1/2 °		MFG. ENG.						
MATERIAL				CODE IDENT. NO.	SIZE	DWG. NO.	REV		
UNIT KA4C2DP17L				06223	D	GA26000A	B		
APPROVED B. KRILEY				2/28/06	SCALE: 25=1	CAD. REF.	SHEET 1 OF 1		

