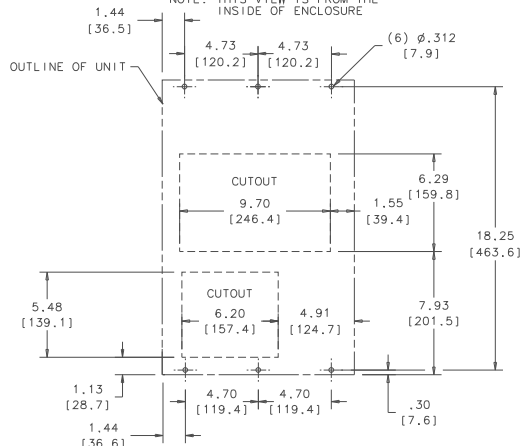


THIS DOCUMENT IS THE PROPERTY OF KOOLTRONIC, INC. AND CONTAINS PROPRIETARY AND CONFIDENTIAL INFORMATION WHICH MUST NOT BE DUPLICATED, USED OR DISCLOSED TO OTHERS, EXCEPT AS EXPRESSLY AUTHORIZED IN WRITING BY KOOLTRONIC, INC.

REVISIONS				
SYM	NOTICE	DESCRIPTION	DATE	APPROVED
-	EC 16/710	NEW DRAWING RELEASE	12/26/16	JS

INTERNAL MOUNTING PLAN
NOTE: THIS VIEW IS FROM THE INSIDE OF ENCLOSURE



EXTERNAL MOUNT

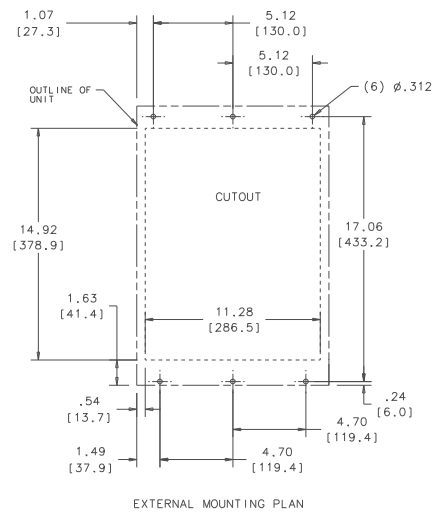
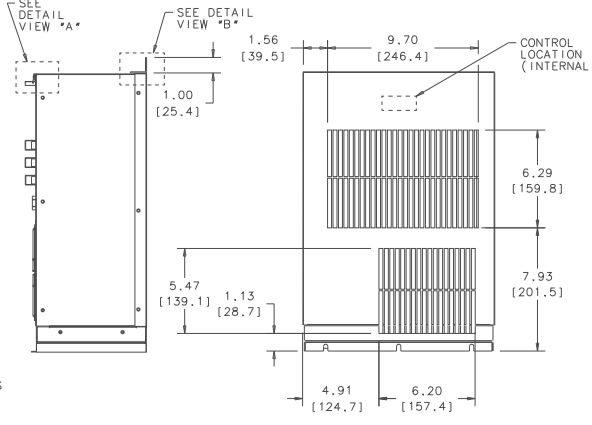
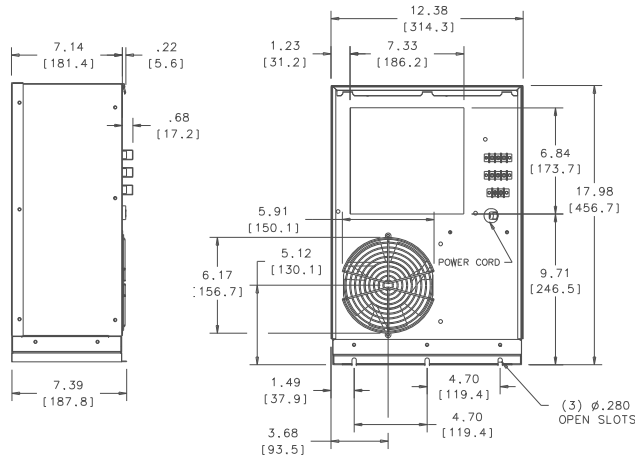
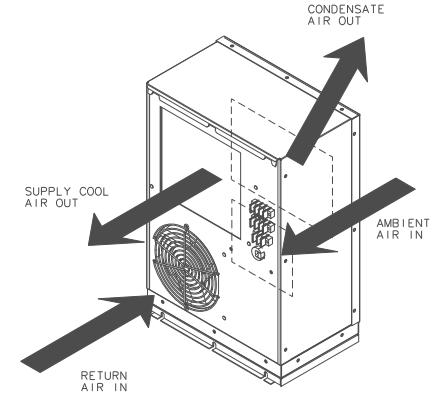
PIVOT BAR WITH (3) STUDS TO BE MOUNTED ON THE EXTERIOR OF CUSTOMER'S ENCLOSURE

DETAIL VIEW *A*

INTERNAL MOUNT

INSTALL BRACKET USING EXISTING HARDWARE ON UNIT

DETAIL VIEW *B*



ALL DIMENSIONS ARE IN INCHES. DIMENSIONS DESIGNATED MM ARE IN MILLIMETERS.				UNLESS OTHERWISE SPECIFIED TOLERANCES NON-QUALITATIVE.	
TOL. ON	INCHES	MM	CHECKED	DATE	DATE
.XX	: .02	:	Steve Schmierer	12/26/16	
.XXX	: .010	:	Ron Kaufman	12/27/16	
ANGULAR	:	1/2	MFG. ENG.		
MATERIAL					
UNIT	KA4C2DP17L		APPROVED	DATE	
			Joe Milko	12/27/16	
CODE IDENT. NO.	SIZE	DWG. NO.	REV		
06223	D	GA26000AA	-		
SCALE	25=1	CAD. REF.	SHEET	1 OF 1	



GENERAL ARRANGEMENT