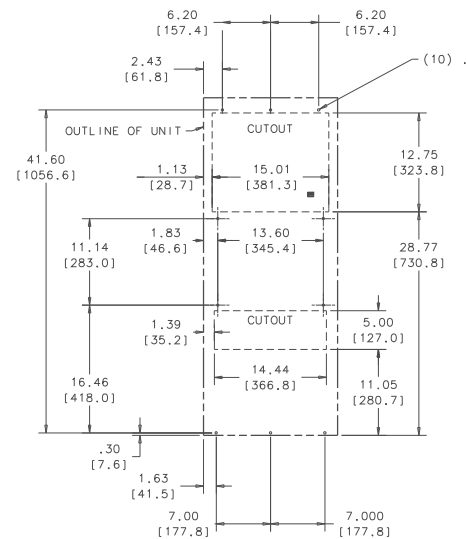
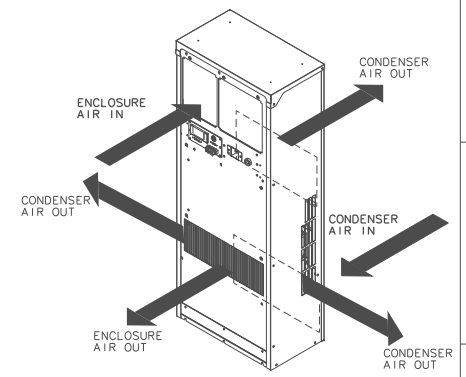
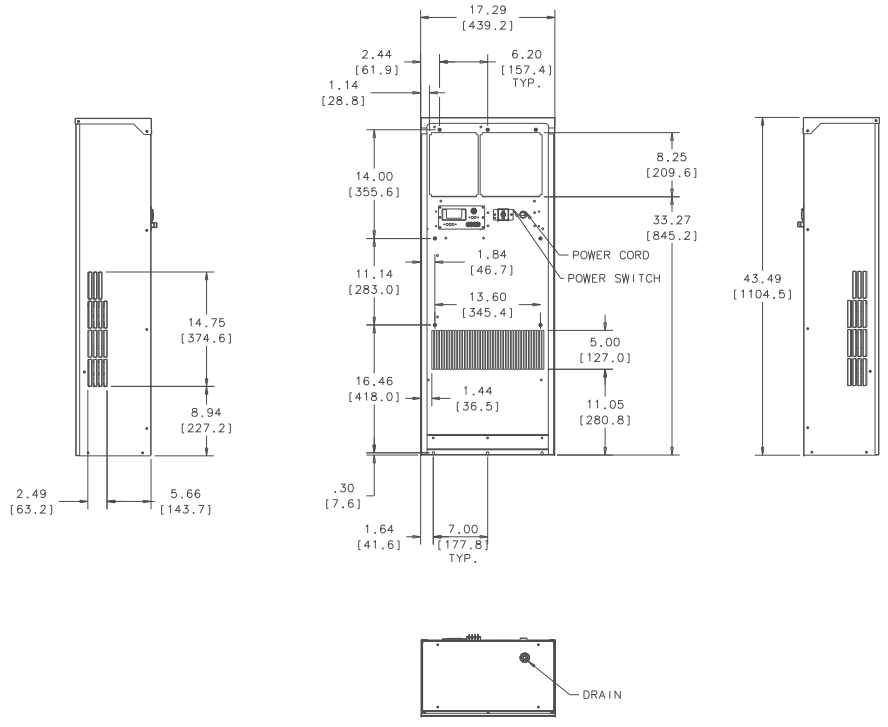
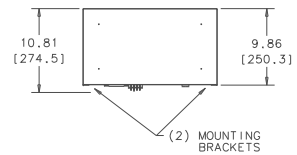


THIS DOCUMENT IS THE PROPERTY OF KOOLTRONIC, INC. AND CONTAINS PROPRIETARY AND CONFIDENTIAL INFORMATION WHICH MUST NOT BE DUPLICATED, USED OR DISCLOSED TO OTHERS, EXCEPT AS EXPRESSLY AUTHORIZED IN WRITING BY KOOLTRONIC, INC.

REVISONS		DESCRIPTION	DATE	APPROVED
5/M	NOTICE			
-	EC 14/557	NEW DRAWING RELEASE	6/29/15	MDW



ALL DIMENSIONS ARE IN INCHES. DIMENSIONS DESIGNATED M ARE IN MILLIMETERS.				UNLESS OTHERWISE SPECIFIED TOLERANCES ARE:		DRAWN DATE		CHECKED DATE		TITLE	
TOL.	ON	INCHES	M	Steve Mc Crahan	6/29/15	Steve Schmierer	6/10/15	GENERAL ARRANGEMENT			
.xx		: .02		Ron Kaufman	6/12/15	MFG. ENG.					
.xxx		: .010		MFG. ENG.							
ANGULAR		: 1/2									
MATERIAL				UNIT				CODE IDENT. NO.	SIZE	DWG. NO.	REV
K_NA4C7DP43L & LV				Joe Milko				06223	D	GA26701A	-
APPROVED				6/12/15				SCALE	CAD. REF.	SHEET	1 OF 1
								1:25			

