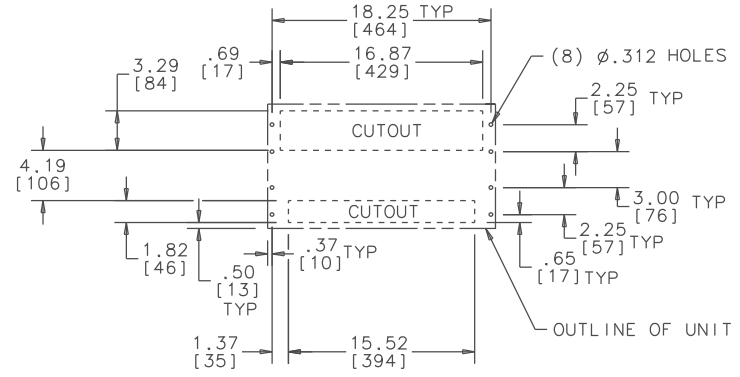
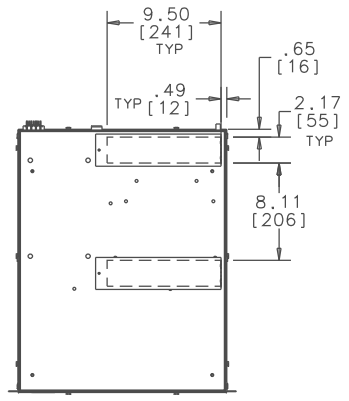
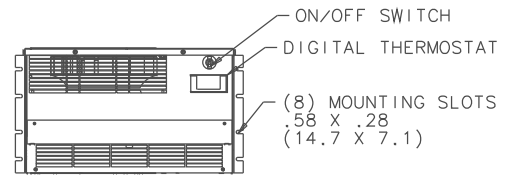
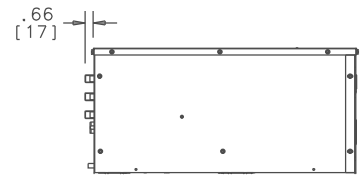
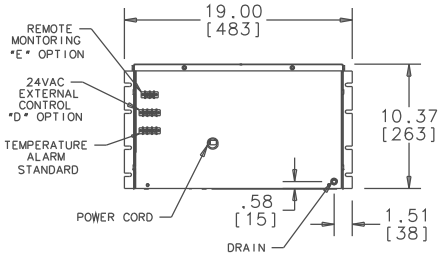
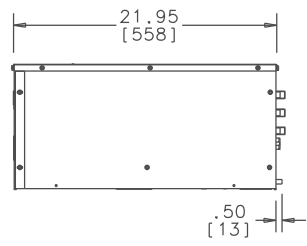
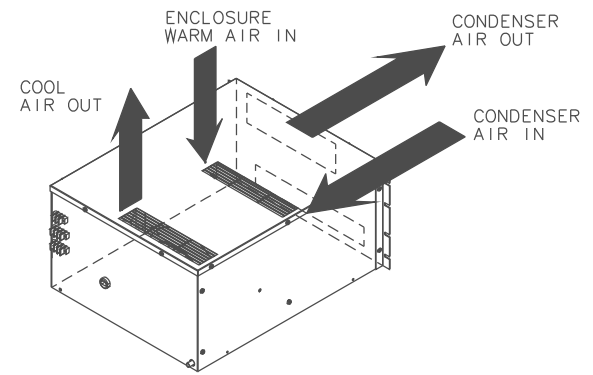
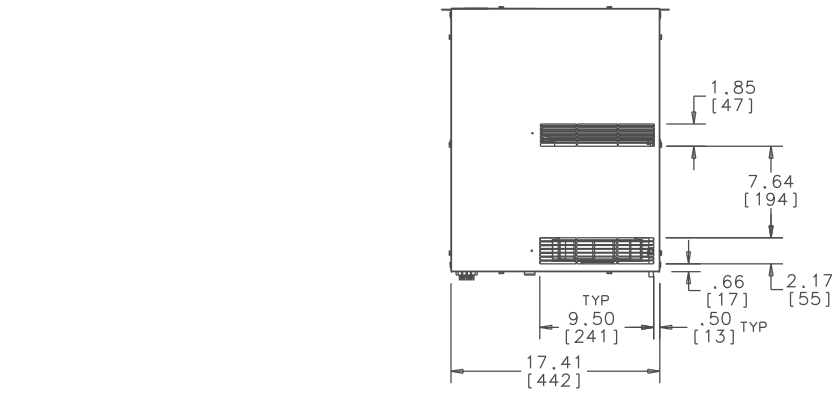


THIS DOCUMENT IS THE PROPERTY OF KOOLTRONIC, INC. AND CONTAINS PROPRIETARY AND CONFIDENTIAL INFORMATION WHICH MUST NOT BE DUPLICATED, USED OR DISCLOSED TO OTHERS, EXCEPT AS EXPRESSLY AUTHORIZED IN WRITING BY KOOLTRONIC, INC.

REVISIONS				
SYM	NOTICE	DESCRIPTION	DATE	APPROVED
-	EC 15/245	NEW DRAWING RELEASE	9/15/15	JS

A
B
C
D
E
F



ALL DIMENSIONS ARE IN INCHES. DIMENSIONS DESIGNATED MM ARE IN MILLIMETERS.				DRAWN		DATE	
UNLESS OTHERWISE SPECIFIED TOLERANCES NON-ACCUMULATIVE				JERRY STEDNICK		9/16/15	
TOL. ON	INCHES	MM	CHECKED	TITLE			
.XX	± .02	±	Mike Mc Crohan	GENERAL ARRANGEMENT			
.XXX	± .010	±	Joe Milko	K_A4C5RML W/DIXELL			
ANGULAR	± 1/2 °		ENG.	MFG. ENG.			
MATERIAL			APPROVED	CODE IDENT. NO.	SIZE	DWG. NO.	REV
UNIT	K_A4C5RML		Joe Milko	06223	C	GA2700A	-
				SCALE	1/25=1	CAD. REF.	SHEET 1 OF 1



1 2 3 4 5 6 7 8