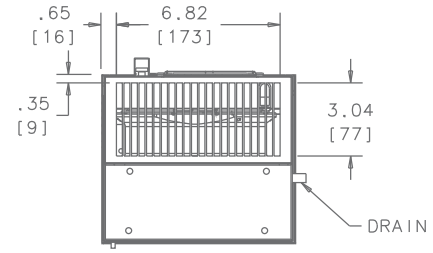
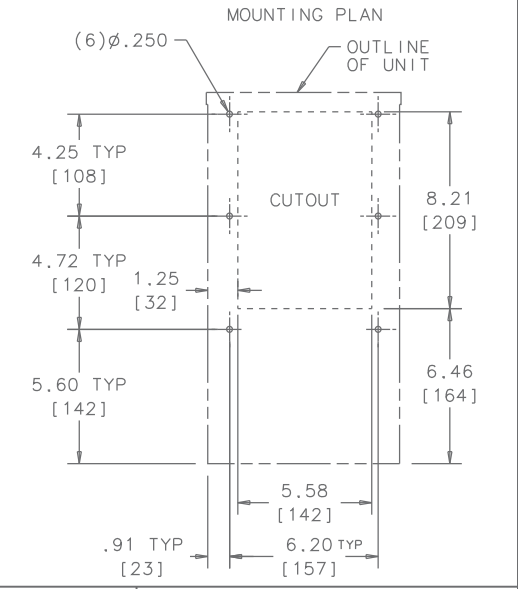
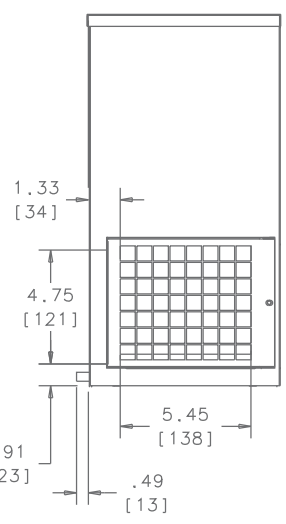
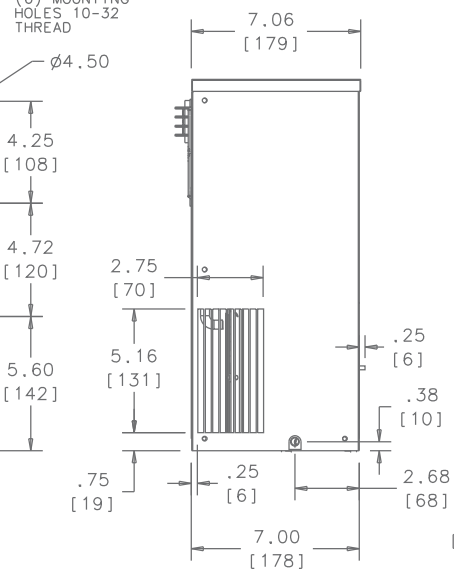
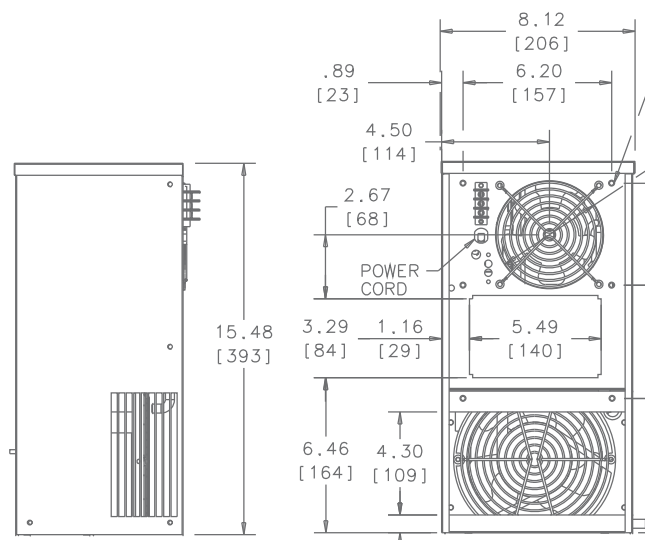
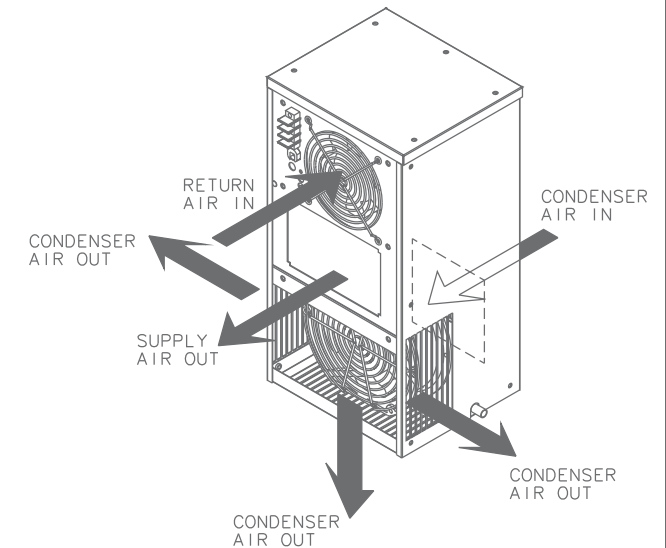


THIS DOCUMENT IS THE PROPERTY OF KOOLTRONIC, INC. AND CONTAINS PROPRIETARY AND CONFIDENTIAL INFORMATION WHICH MUST NOT BE DUPLICATED, USED OR DISCLOSED TO OTHERS, EXCEPT AS EXPRESSLY AUTHORIZED IN WRITING BY KOOLTRONIC, INC.

REVISIONS				
SYM	NOTICE	DESCRIPTION	DATE	APPROVED
—	EC 13/346	NEW DRAWING RELEASE	12/18/13	MEM/JS
A	EC 15/236	REMOVED AIR DEFLECTOR, UPDATED DRAWING	5/19/15	JS



UNLESS OTHERWISE SPECIFIED TOLERANCES NON-ACCUMULATIVE				DRAWN		DATE	
TOL. ON	INCHES	MM	DR	BY	DATE		
.XX	± .02	±	Mike	Mc Crohan	12/12/13		
.XXX	± .010	±	Jerry	Stednick	1/15/14		
ANGULAR	± 1/2 °		ENG.	Ron	Kaufman	1/20/14	
MATERIAL			MFG. ENG.				
UNIT	KNA4C1DP15L		APPROVED	Joe	Milko	1/30/14	GENERAL ARRANGEMENT CODE IDENT. NO. 06223 SIZE C DRG. NO. GA27101A SCALE .25 = 1 CAD. REF. SHEET 1 OF 1